

Swing Gate Series Networking Cabinets

Available for Same-Day Shipping!

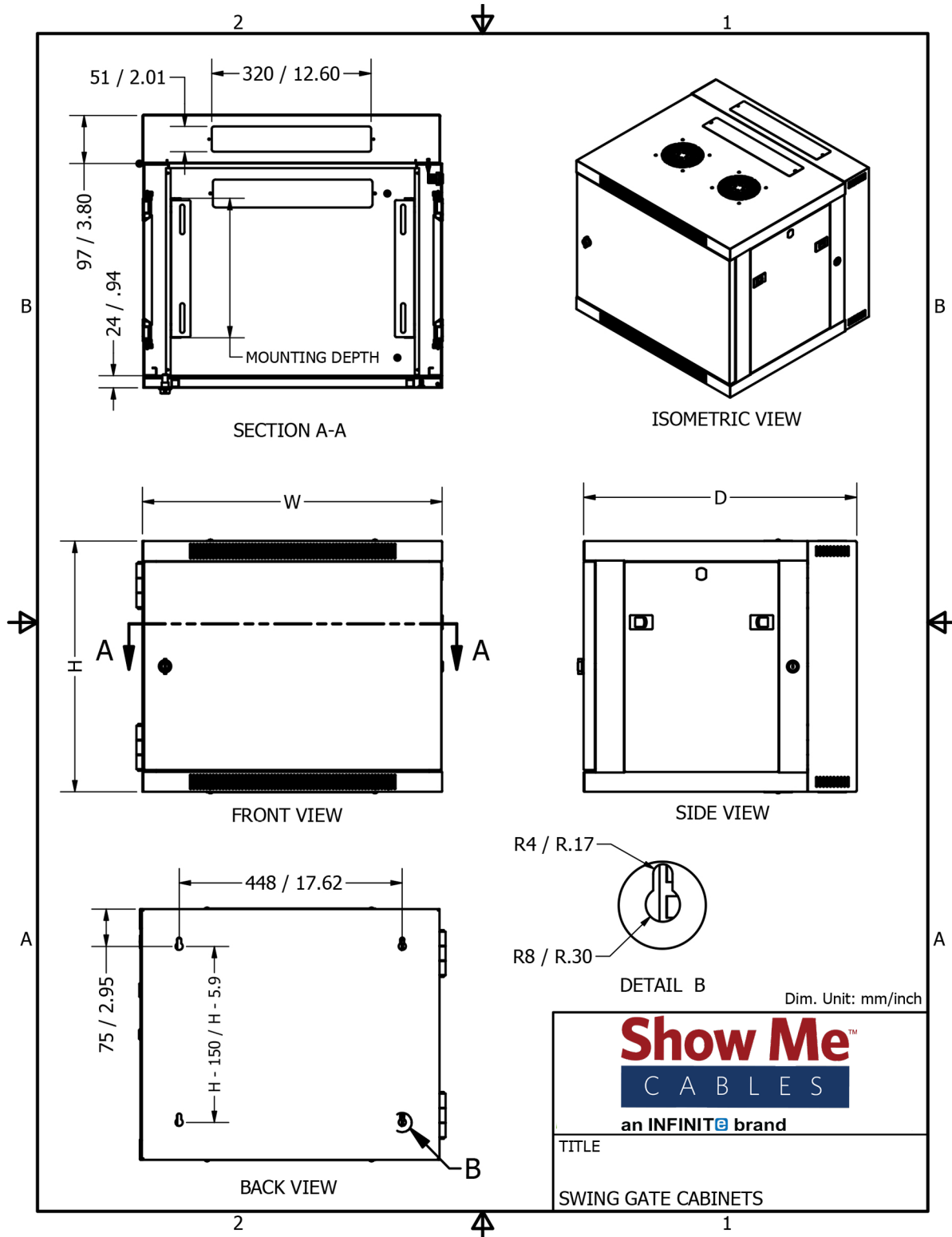


ShowMeCables Swing Gate Series Cabinets are designed to house EIA standard 19 inch equipment in offices, network closets, retail locations and classrooms. This series is the best solution for IT professionals who require a secure solution and have a need to have frequent access to their equipment. Available in 6U, 9U and 12U, in multiple depths, these cabinets come pre-assembled and feature door and side panel locks and a replaceable cable management cove.

Model / SKU Number	SMC-SMB606	SMC-SMT6406D-D	SMC-SMT6506D-D	SMC-SMT6606D-D	SMC-SMT6506D	SMC-SMB609	SMC-SMT6409D-D	SMC-SMT6509D-D	SMC-SMT6609D-D	SMC-SMT6509D	SMC-SMT6412D-D	SMC-SMT6512D-D	SMC-SMT6612D-D	
PHYSICAL														
Available Height Options (Rack Units)	6U	6U	6U	6U	6U	9U	9U	9U	9U	9U	12U	12U	12U	
Unit Dimensions (in)	H	14.63	14.57	14.57	14.57	14.63	19.88	19.82	19.82	19.82	19.88	25.07	25.07	25.07
	W	23.63	23.63	23.63	23.63	23.63	23.63	23.63	23.63	23.63	23.63	23.63	23.63	23.63
Maximum Rail Depth (in)	D	23.63	17.72	21.66	25.6	21.63	23.63	17.72	21.66	25.6	21.63	17.72	21.66	25.6
	Weight Capacity (kg / lbs)	18.5	11.81	15.74	19.68	16	18.5	11.81	15.74	19.68	16	11.81	15.74	19.68
Weight Capacity (kg / lbs)	68 / 150	90/200	90 / 200	90 / 200	68 / 150	68 / 150	90 / 200	90 / 200	90 / 200	68 / 150	90 / 200	90 / 200	90 / 200	
Paint	Black Powder Coat													
Material	Cold Rolled Steel (1.2mm) Welded Frame Structure													
Door Type	Tempered Glass Door - Clear/Reversible			Perforated Door	Tempered Glass Door - Clear/Reversible				Perforated Door	Tempered Glass Door - Clear/Reversible				
Interior Rails Mounting	Square unthreaded cage nut opening													
ADDITIONAL FEATURES / INFORMATION														
Cable Management	Removable cable management located on top and bottom panel													
Security	Locks included for Front Door, Side Panels, and Swing Gate													
Cooling	2 Fans included. Strategically placed ventilation for increased air flow.			Vented door and side panels for peak efficiency of airflow	2 Fans included. Strategically placed ventilation for increased air flow.				Vented door and side panels for peak efficiency of airflow	2 Fans included. Strategically placed ventilation for increased air flow.				
Shelving	One set of "L" Brackets included													
Mounting	Wall Mountable													
Assembly	Pre-Assembled													
Accessibility	Swing Gate included at back panel for access to equipment													
COMPLIANCE														
RoHS	✓													
CE	✓													
HIPPA	✓													
PCI	✓													
EIA/ECA-310-E Compliant (19" Rail Width)	✓													
NEMA Rated Type 1	✓													
IP20 Protection Grade	✓													
SHIPPING														
Shipping Dimensions (in)	L	27	25.99	25.99	25.99	27	27	25.99	25.99	25.99	27	25.99	25.99	25.99
	W	27	20.87	24.81	28.75	25	27	20.87	24.81	28.75	25	20.87	24.81	28.75
	H	18	17.33	17.33	17.33	19	23	22.45	22.45	22.45	24	27.76	27.76	27.76
Shipping Weight (lbs)	53	45.1	53.9	61.6	52	62	52.8	58.3	67.1	59	58.3	62.7	74.8	

Swing Gate Series Networking Cabinets

Available for Same-Day Shipping!



Swing Gate Series Networking Cabinets

Available for Same-Day Shipping!

