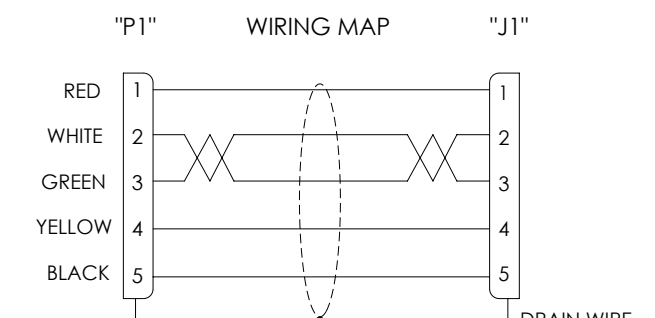
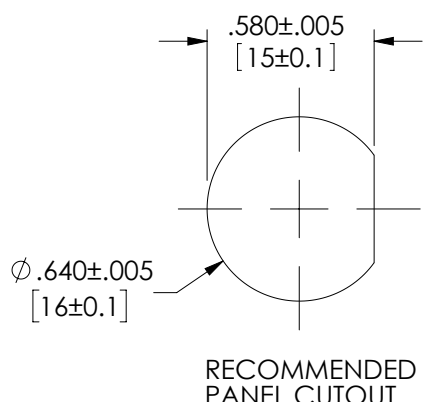
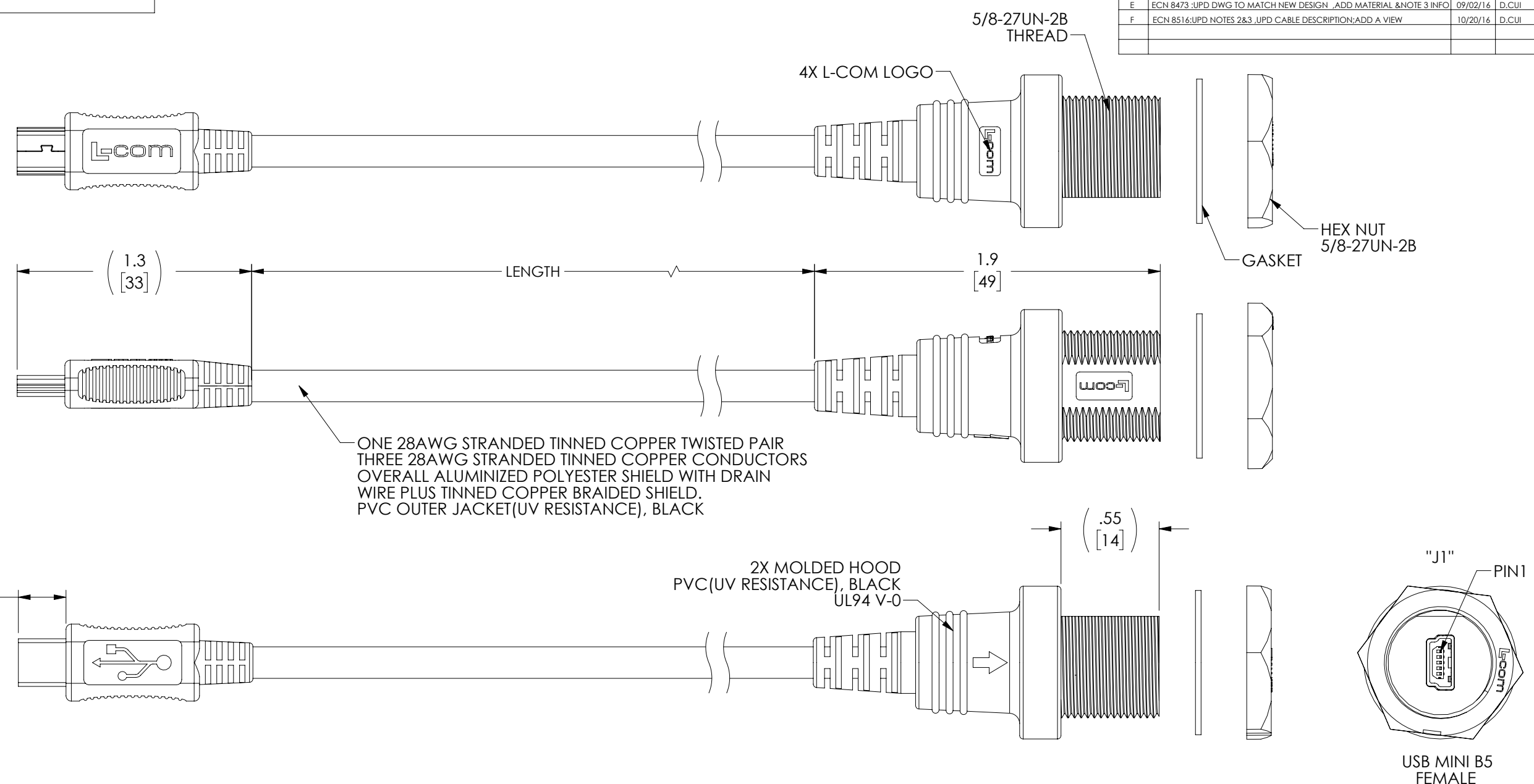


THE INFORMATION CONTAINED IN THIS DRAWING IS THE SOLE PROPERTY OF L-COM, INC. ANY REPRODUCTIONS IN PART OR WHOLE WITHOUT THE WRITTEN PERMISSION OF L-COM, INC. IS PROHIBITED.

REVISIONS			
REV	DESCRIPTION	DATE	CHANGED BY
E	ECN 8473 :UPD DWG TO MATCH NEW DESIGN ,ADD MATERIAL &NOTE 3 INFO	09/02/16	D.CUI
F	ECN 8516:UPD NOTES 2&3 ,UPD CABLE DESCRIPTION:ADD A VIEW	10/20/16	D.CUI



PART NUMBER	LENGTH	
	FEET	METERS
WPUSBMB5X-03M	.98	[.3]
WPUSBMB5X-05M	1.64	[.5]
WPUSBMB5X-1M	3.28	[1.0]
WPUSBMB5X-2M	6.56	[2.0]
WPUSBMB5X-5M	16.40	[5.0]

- NOTES:**
- 1.CABLE ASSEMBLY SHALL BE TESTED FOR CONTINUITY
 - 2.L-COM LOGO STYLE AND MOLDED HOOD APPEARANCE MAY VARY PER L-COM SPECIFICATION
 - 3.INGRESS PROTECTION RATING IS IP67 (J1 ONLY ,MATED)
 - 4.CABLE ASSEMBLY SHALL BE INDIVIDUALLY PACKAGED IN ACCORDANCE WITH L-COM SPECIFICATION PS-0031

REGULATORY COMPLIANCE:
CE2011/65/EU(RoHS DIRECTIVE)

UNLESS OTHERWISE SPECIFIED, DIMENSIONS ARE IN INCHES [mm]
OVERALL CABLE LENGTH TOLERANCE:
≤12 [305] = +1 [25] / -0
>12 [305] ≤60 [1524] = +2[51] / -0
>60 [1524] ≤120 [3048] = +4 [102] / -0
>120 [3048] ≤300 [7620] = +6 [152] / -0
>300 [7620] = +5% / -0%
ALL OTHER DIMENSIONAL TOLERANCES:
.X = ±.2 [5.08]
.XX = ±.02 [5.1]
.XXX = ±.005 [1.3]

APPROVALS	DATE
DRAWN BY D. CASTRO	4/17/09
CHECKED BY D. FRISIELLO	4/20/09
APPROVED BY S. SMITH	4/20/09

L-com Global Connectivity
50 HIGH STREET
NORTH ANDOVER, MA
01845

CATEGORY		USB	
PRODUCT DESCRIPTION			
CA WTR PR USBMB5-F/MB5-M			
SIZE	FSCM NO.	DWG. NO.	REV.
B	43321	WPUSBMB5X	F
SCALE: 1:4		CAD FILE: WPUSBMB5X.SLDDRW	SHEET 1 OF 1