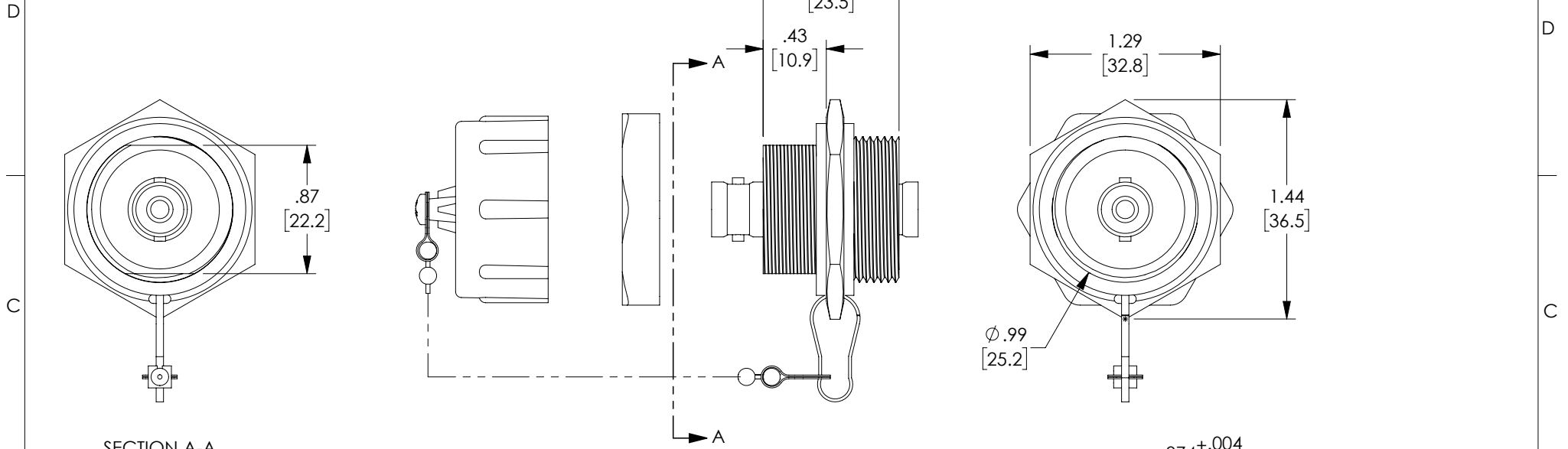
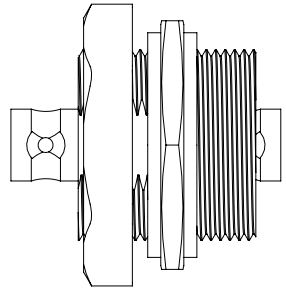


THE INFORMATION CONTAINED IN THIS DRAWING IS THE SOLE PROPERTY OF SHOW ME CABLES, INC. ANY REPRODUCTION IN PART OR WHOLE WITHOUT THE WRITTEN PERMISSION OF SHOW ME CABLES, INC. IS PROHIBITED.

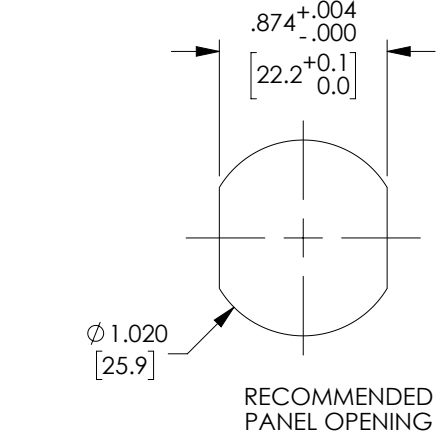
REVISIONS			
REV	DESCRIPTION	DATE	APPROVED
A	INITIAL RELEASE	05/05/2021	MBLACKWOOD



SECTION A-A



DUST CAP AND LANYARD NOT SHOWN




RECOMMENDED PANEL OPENING

**NOTES:**  
**MATERIAL:**  
 MAIN BODY AND DUST CAP: PBT + GF, UL94V-0  
 HOOD: MOLDED 25P PVC  
 ADAPTER:  
 BODY: COPPER, NICKEL PLATING  
 INSULATOR: WHITE PLASTIC STEEL  
 CONTACT: COPPER, GOLD PLATING

**PHYSICAL CHARACTERISTICS:**  
 OPERATING TEMPERATURE RANGE: -10°C TO +60°C.  
 STORAGE TEMPERATURE RANGE: -40°C TO +68°C.  
 HUMIDITY: 10% ~ 90% RH  
 IP RATING: IP68-WHEN DUST CAP IS ENGAGED.

**ELECTRICAL:**  
 IMPEDANCE: 75 OHM

**PACKAGING:**  
 ASSEMBLY SHALL BE INDIVIDUALLY PACKAGED IN ACCORDANCE WITH L-COM SPECIFICATION PS-0031.

UNLESS OTHERWISE SPECIFIED, DIMENSIONS ARE IN INCHES [mm] OVERALL CABLE LENGTH TOLERANCE: ≤12 [305] = +1 [25] / -0 >12 [305] ≤60 [1524] = +2 [51] / -0 >60 [1524] ≤120 [3048] = +4 [102] / -0 >120 [3048] ≤300 [7620] = +6 [152] / -0 >300 [7620] = +5% / -0 ALL OTHER DIMENSIONAL TOLERANCES: .X = ± .2 [5]   FRACTIONS ± 1/32 .XX = ± .02 [5]   ANGLES ± 1° .XXX = ± .005 [13]	APPROVALS	DATE	 115 Chesterfield Industrial Blvd., Chesterfield, MO 63005 Phone: 1.888.519.9505 Fax: 1.888.519.9515
	DRAWN BY DMAY	05/03/2021	
	CHECKED BY MBLACKWOOD	05/05/2021	
	APPROVED BY MBLACKWOOD	05/05/2021	SIZE <b>A</b>   CAGE CODE <b>3SVT8</b>   ITEM NO. <b>WPBNCAD</b>   REV. <b>A</b>
THIRD-ANGLE PROJECTION	CONFIGURATION DETAILS OF UNDIMENSIONED FEATURES MAY VARY	COLOR VARIATIONS MAY OCCUR	SCALE: NONE   CAD FILE: WPBNCAD.SLDDRW   SHEET 1 OF 1