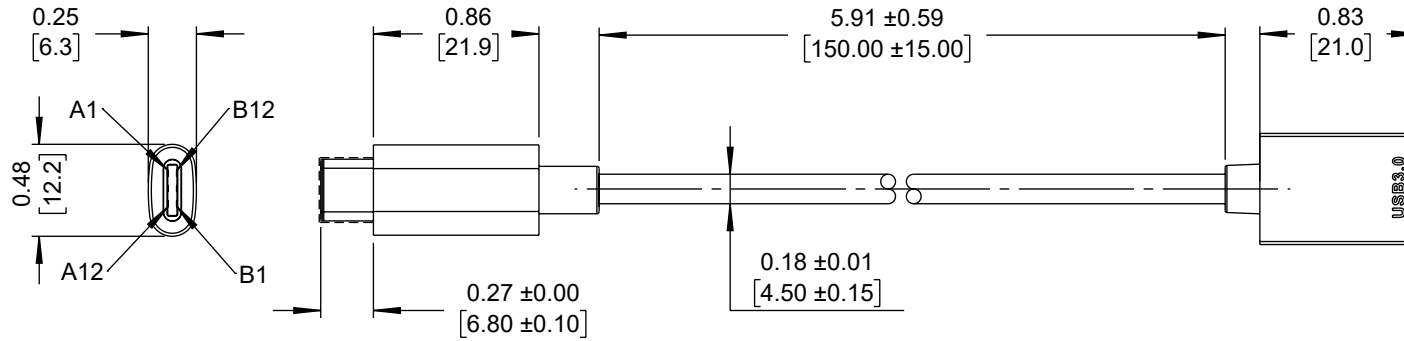


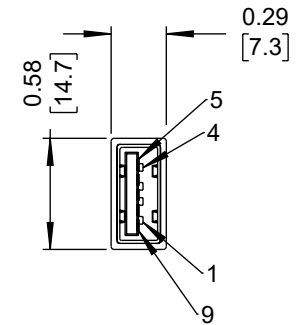
THE INFORMATION CONTAINED IN THIS DRAWING IS THE SOLE PROPERTY OF L-COM, INC. ANY REPRODUCTION IN PART OR WHOLE WITHOUT THE WRITTEN PERMISSION OF L-COM, INC. IS PROHIBITED.

REVISION					
ZONE	REV	DESCRIPTION	DATE	CHANGED BY	APPROVED
	A	INITIAL RELEASE	07/27/2023	LNAGARAJ	RCARLESCO

USB 3.0 TYPE C-MALE



USB 3.0 TYPE A-FEMALE




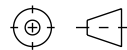
PIN ASSIGNMENT		
P1 (TYPE C/M)	COLOR	P2(USB3.0/F)
A4	RD	1
A7	WT	2
A6	GN	3
GND	D	4
B10	PR	5
B11	OR	6
GND	D	7
A3	BL	8
A2	YL	9
SHELL	BRAID	SHELL

TEST CONDITIONS:

- 100% OPEN, SHORT AND SWAP TEST.
- ON-RESISTANCE: 2 OHMS MAX.
- INSULATION RESISTANCE: 10 MEGAOHM MIN/DC300V/10MS (WIRE END).
- 100% MACHINE TEST, THROUGH THE LAPTOP TEST (USB C PLUG DOUBLE-SIDED TEST), WITH A SPECIAL USB TEST HEAD TO TEST, WHETHER THE FUNCTION REACHES 5GBPS.

NOTE:

- CABLE: USB 3.0, PVC JACKET.
- ALL MARKINGS ARE FOR REFERENCE ONLY.
- PRODUCT SHALL BE INDIVIDUALLY PACKAGED.

UNLESS OTHERWISE SPECIFIED, DIMENSIONS ARE IN INCHES [mm] OVERALL CABLE LENGTH TOLERANCE: ≤12 [305] = +1 [25] / -0 >12 [305] ≤60 [1524] = +2 [51] / -0 >60 [1524] ≤120 [3048] = +4 [102] / -0 >120 [3048] ≤300 [7620] = +6 [152] / -0 >300 [7620] = +5% / -0 ALL OTHER DIMENSIONAL TOLERANCES: .X = ± .2 [5]   FRACTIONS ± 1/32 .XX = ± .02 [.5]   ANGLES ± 1° .XXX = ± .005 [.13]	APPROVALS	DATE	 50 High Street, West Mill, North Andover, MA 01845 USA. Phone: 1.800.341.5266 1.978.682.6936
	DRAWN BY LNAGARAJ	07/27/2023	
THIRD-ANGLE PROJECTION 	CHECKED BY RCARLESCO	07/28/2023	CATEGORY USB C DOCKS
	APPROVED BY GUITADAURO	07/28/2023	PRODUCT DESCRIPTION USB-C TO USB-A 3.0 ADAPTER, TYPE C MALE TO TYPE A FEMALE
	CONFIGURATION DETAILS OF UNDIMENSIONED FEATURES MAY VARY		SIZE A
	COLOR VARIATIONS MAY OCCUR		CAGE CODE 43321
			ITEM NO. USBCA3
			REV. A
			SCALE: NONE
			CAD FILE: USBCA3.SLDDRW
			SHEET 1 OF 1