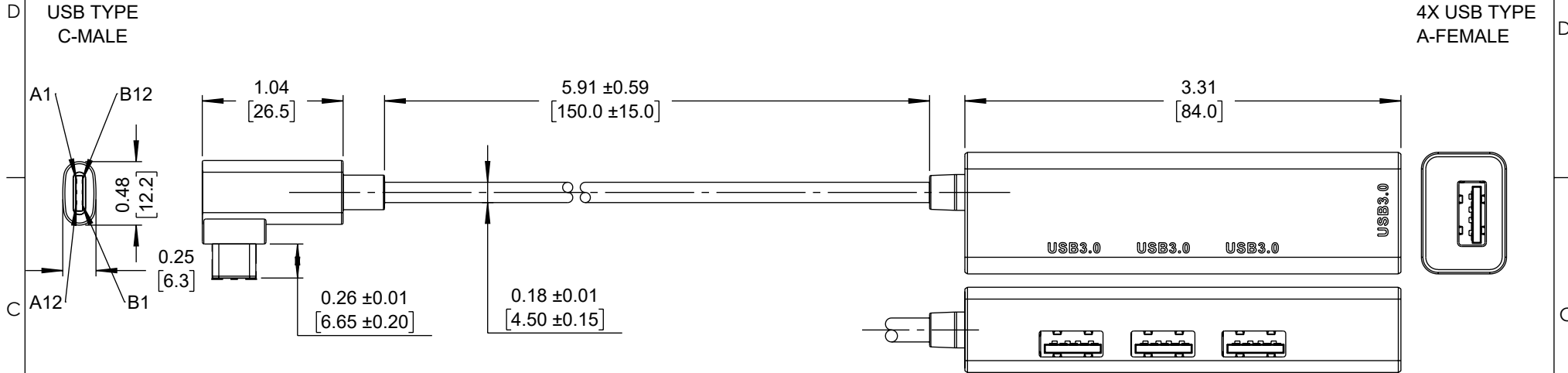


THE INFORMATION CONTAINED IN THIS DRAWING IS THE SOLE PROPERTY OF L-COM, INC. ANY REPRODUCTION IN PART OR WHOLE WITHOUT THE WRITTEN PERMISSION OF L-COM, INC. IS PROHIBITED.

REVISION					
ZONE	REV	DESCRIPTION	DATE	CHANGED BY	APPROVED
	A	INITIAL RELEASE	07/26/2023	LNAGARAJ	GUTTADAURO


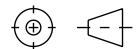


TEST CONDITIONS:

- 100% OPEN, SHORT AND SWAP TEST.
- ON-RESISTANCE: 2 OHMS MAX.
- INSULATION RESISTANCE: 10 MEGAOHM MIN/DC300V/10MS (WIRE END)
- 100% MACHINE TESTED AND PASSED APPLE'S NEW GENERATION LAPTOP TEST (USB C PLUG DOUBLE-SIDED TEST).

PIN ASSIGNMENT			
P1 (USB3.0-C/M)		P2 (USB3.0 HUB-PCBA)	
COLOR			
A4	RD	1	
A7	GN	2	
A6	WT	3	
GND	D	4	
B10	PR	5	
B11	OR	6	
GND	D	7	
A3	BL	8	
A2	YL	9	
SHELL	BRAID	SHELL	

- NOTE:**
- ALL MARKINGS ARE FOR REFERENCE ONLY.
 - PRODUCT SHALL BE INDIVIDUALLY PACKAGED.

UNLESS OTHERWISE SPECIFIED, DIMENSIONS ARE IN INCHES [mm] OVERALL CABLE LENGTH TOLERANCE: ≤12 [305] = +1 [25] / -0 >12 [305] ≤60 [1524] = +2 [51] / -0 >60 [1524] ≤120 [3048] = +4 [102] / -0 >120 [3048] ≤300 [7620] = +6 [152] / -0 >300 [7620] = +5% / -0 ALL OTHER DIMENSIONAL TOLERANCES: .X = ± .2 [5] FRACTIONS ± 1/32 .XX = ± .02 [5] ANGLES ± 1° .XXX = ± .005 [1.3]	APPROVALS DRAWN BY LNAGARAJ CHECKED BY RCARLESCO APPROVED BY GUTTADAURO	DATE 07/26/2023 07/28/2023 07/28/2023	 an INFINITI® brand	50 High Street, West Mill, North Andover, MA 01845 USA. Phone: 1.800.341.5266 1.978.682.6936
	THIRD-ANGLE PROJECTION 	CONFIGURATION DETAILS OF UNDIMENSIONED FEATURES MAY VARY COLOR VARIATIONS MAY OCCUR	CATEGORY USB C HUBS	PRODUCT DESCRIPTION USB-C 3.2 GEN1 HUB, TYPE C MALE TO 4X TYPE A FEMALE
	SIZE A	CAGE CODE 43321	ITEM NO. UHUBC-4A-L	REV. A