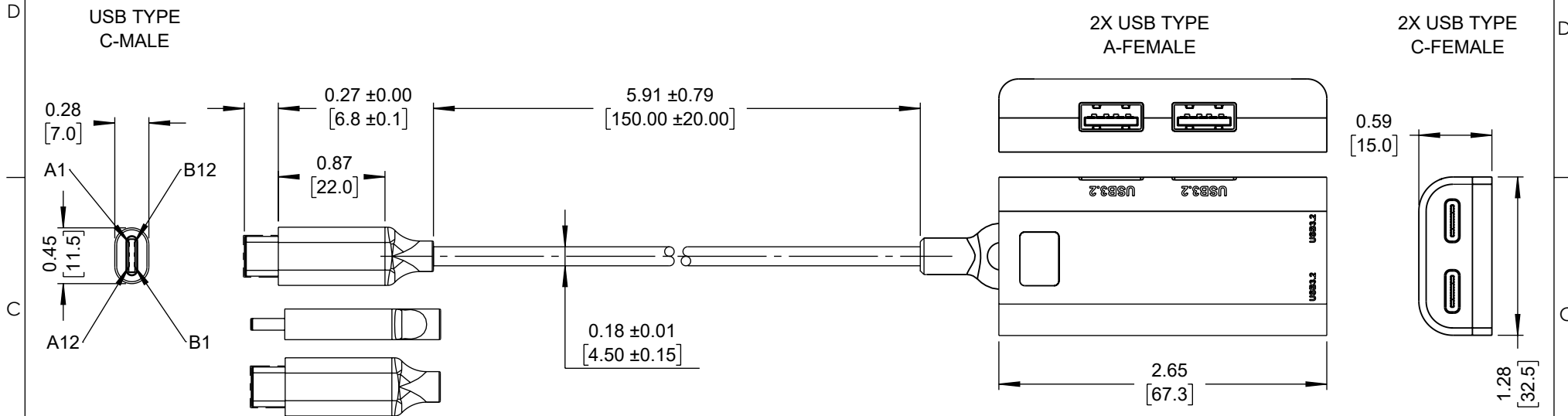


THE INFORMATION CONTAINED IN THIS DRAWING IS THE SOLE PROPERTY OF L-COM, INC. ANY REPRODUCTION IN PART OR WHOLE WITHOUT THE WRITTEN PERMISSION OF L-COM, INC. IS PROHIBITED.

REVISION					
ZONE	REV	DESCRIPTION	DATE	CHANGED BY	APPROVED
	A	INITIAL RELEASE	07/25/2023	LNAGARAJ	GUTTADAURO




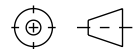
PIN ASSIGNMENT		
P1 (TYPE C/M)	color	P2 (PCBA)
GND	D	GND
with AL foil { A2	BK	A2
A3	BL	A3
GND	D	GND
with AL foil { B11	YL	B11
B10	GN	B10
A7	GN	A7
A6	WT	A6
A5	OR	A5
A4, B4, A9, B9	RD	A4
SHELL	BARIN	SHELL

TEST CONDITIONS:

- 100% OPEN, SHORT AND SWAP TEST.
- ON-RESISTANCE: 2 OHMS MAX.
- INSULATION RESISTANCE: 10 MEGAOHM MIN/DC300V/10MS (WIRE END)
- 100% COMPUTER TEST, THE PRODUCT 2A+2C PORT CONNECTED TO 10GBPS HARD DISK FOR READ AND WRITE SPEED TEST (USBC PLUG DOUBLE-SIDED TEST) READ AND WRITE SPEED SHOULD NOT BE LESS THAN 550MB/s, THE ACTUAL RANGE IS 550MB/S-970MB/s(SINGLE PORT DATA, SIMULTANEOUS TEST AND APPORTIONMENT) M.2 120G WRITE SPEED IS ABOUT 500MB/s 240G WRITE IS ABOUT 650MB/s 500G OR MORE WRITE ABOUT 700MB/s.

NOTE:

- ALL MARKINGS ARE FOR REFERENCE ONLY.
- PRODUCT SHALL BE INDIVIDUALLY PACKAGED.

UNLESS OTHERWISE SPECIFIED, DIMENSIONS ARE IN INCHES [mm] OVERALL CABLE LENGTH TOLERANCE: ≤12 [305] = +1 [25] / -0 >12 [305] ≤60 [1524] = +2 [51] / -0 >60 [1524] ≤120 [3048] = +4 [102] / -0 >120 [3048] ≤300 [7620] = +6 [152] / -0 >300 [7620] = +5% / -0 ALL OTHER DIMENSIONAL TOLERANCES: .X = ± .2 [5] FRACTIONS ± 1/32 .XX = ± .02 [5] ANGLES ± 1° .XXX = ± .005 [13]	APPROVALS DRAWN BY LNAGARAJ CHECKED BY RCARLESCO APPROVED BY GUTTADAURO	DATE 07/25/2023 07/28/2023 07/28/2023	 an INFINIT® brand 50 High Street, West Mill, North Andover, MA 01845 USA. Phone: 1.800.341.5266 1.978.682.6936
	CONFIGURATION DETAILS OF UNDIMENSIONED FEATURES MAY VARY COLOR VARIATIONS MAY OCCUR	CATEGORY USB C HUBS	
THIRD-ANGLE PROJECTION 	SIZE A	CAGE CODE 43321	ITEM NO. UHUBC-2A2C
SCALE: NONE		CAD FILE: UHUBC-2A2C.SLDDRW	
			REV. A
			SHEET 1 OF 1