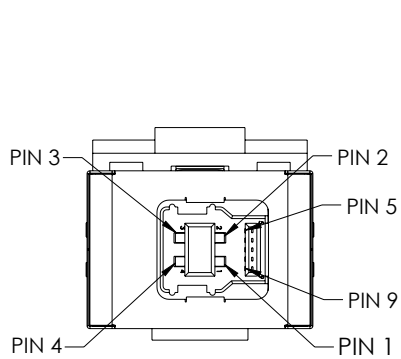
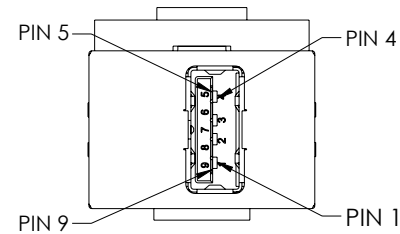
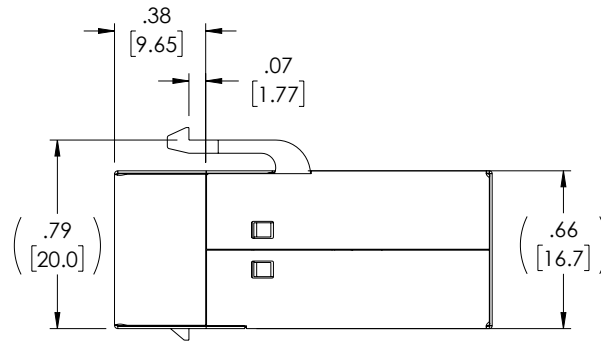


THE INFORMATION CONTAINED IN THIS DRAWING IS THE SOLE PROPERTY OF L-COM, INC. ANY REPRODUCTION IN PART OR WHOLE WITHOUT THE WRITTEN PERMISSION OF L-COM, INC. IS PROHIBITED.

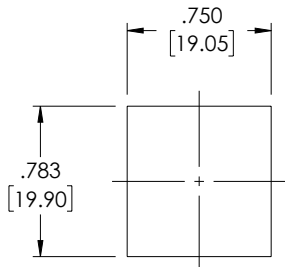
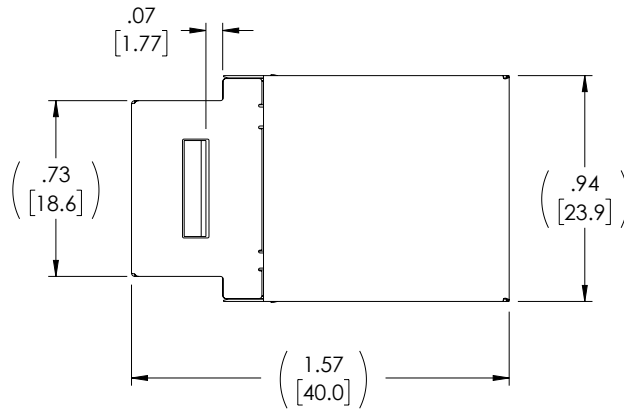
REVISIONS			
REV	DESCRIPTION	DATE	APPROVED
A	INITIAL RELEASE	08/16/2022	GUTTADAURO



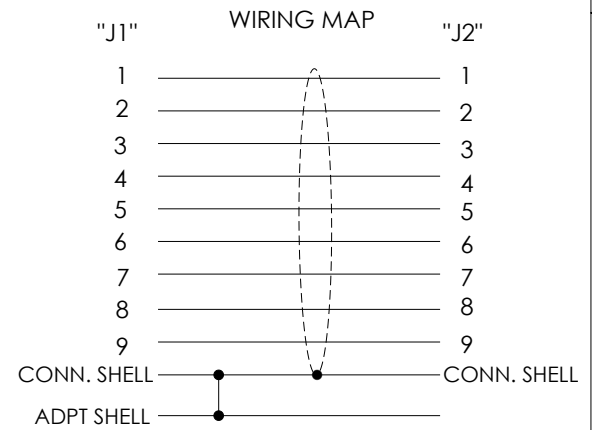
"J1"  
USB 3.0 TYPE "B"  
FEMALE CONNECTOR  
30u" GOLD PLATED CONTACTS  
NICKEL PLATED SHELL



"J2"  
USB 3.0 TYPE "A"  
FEMALE CONNECTOR  
30u" GOLD PLATED CONTACTS  
NICKEL PLATED SHELL


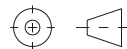


RECOMMENDED  
PANEL CUTOUT



NOTES:

- ADAPTER HOUSING: ABS, UL94V-0 RATED, BLACK  
ADAPTER SHIELDING: STAINLESS STEEL  
ADAPTER PCB: GLASS FIBER EPOXY; FR-4, UL94 V-0
- RATING:  
CURRENT: 1.8A (P1 and P4 CONTACT); 0.25A (OTHER CONTACT)  
OPERATING TEMPERATURE: -10°C TO +70°C.
- ADAPTER SHALL BE TESTED FOR CONTINUITY.
- ADAPTER SHALL BE INDIVIDUALLY PACKAGED  
IN ACCORDANCE WITH L-COM SPECIFICATION PS-0031.

UNLESS OTHERWISE SPECIFIED, DIMENSIONS ARE IN INCHES [mm]  OVERALL CABLE LENGTH TOLERANCE: ≤12 [305] = +1 [25] / -0 >12 [305] ≤60 [1524] = +2 [51] / -0 >60 [1524] ≤120 [3048] = +4 [102] / -0 >120 [3048] ≤300 [7620] = +6 [152] / -0 >300 [7620] = +5% / -0  ALL OTHER DIMENSIONAL TOLERANCES: .X = ± .2 [5]      FRACTIONS ± 1/32 .XX = ± .02 [.5]      ANGLES ± 1° .XXX = ± .005 [1.3]	APPROVALS	DATE	 50 High Street, West Mill, North Andover, MA 01845 USA. Phone: 1.800.341.5266 1.978.682.6936		
	DRAWN BY B.ZHANG	01/18/2022		CATEGORY  <b>USB</b>	
	CHECKED BY GUTTADAURO	01/18/2022			
	APPROVED BY	01/18/2022		PRODUCT DESCRIPTION  <b>KEYSTONE USB3.0 ADPT, BF-AF, SHLD</b>	
THIRD-ANGLE PROJECTION 	COLOR VARIATIONS MAY OCCUR	SIZE <b>A</b>	CAGE CODE <b>43321</b>	DWG. NO. <b>U3KEY-BA-S</b>	REV. <b>A</b>
		SCALE: NONE	CAD FILE: U3KEY-BA-S.SLDDRW	SHEET 1 OF 1	