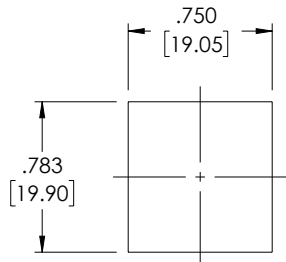
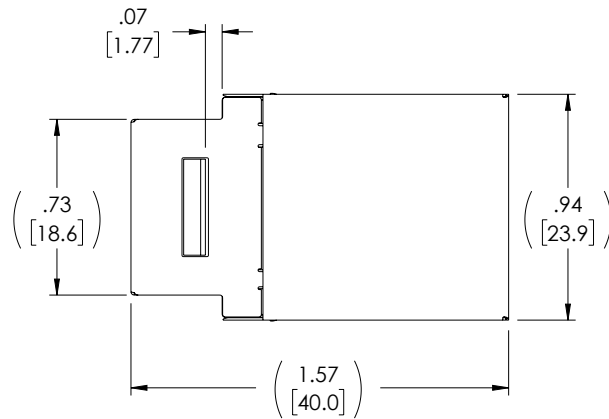
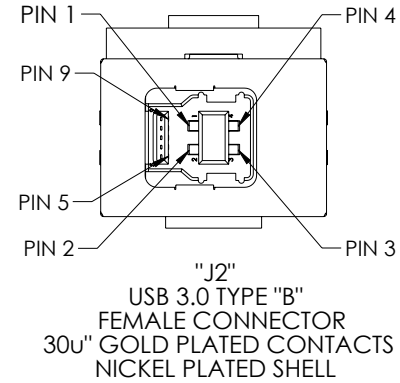
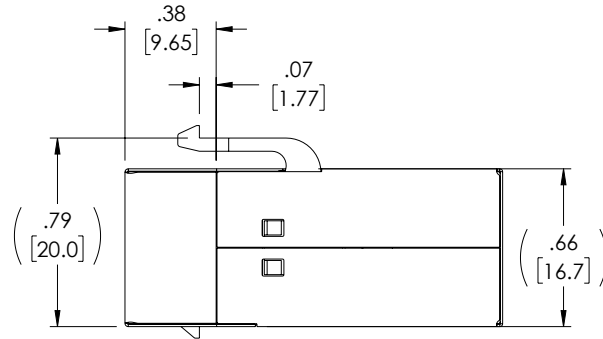
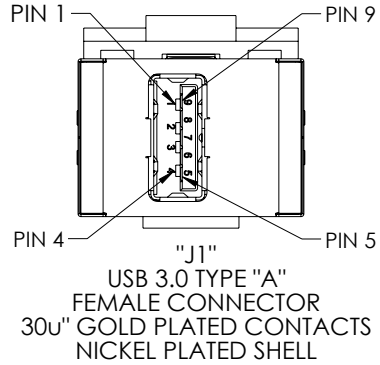
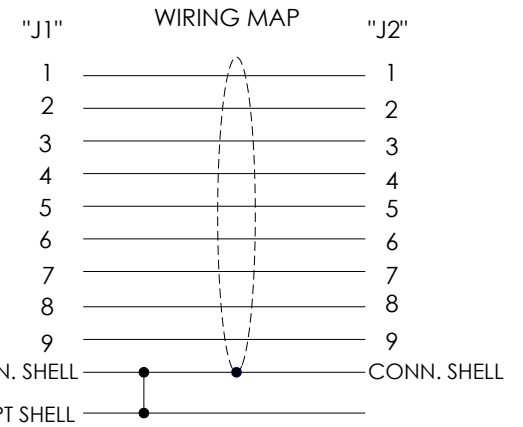


THE INFORMATION CONTAINED IN THIS DRAWING IS THE SOLE PROPERTY OF L-COM, INC. ANY REPRODUCTION IN PART OR WHOLE WITHOUT THE WRITTEN PERMISSION OF L-COM, INC. IS PROHIBITED.

REVISIONS			
REV	DESCRIPTION	DATE	APPROVED
A	INITIAL RELEASE	08/16/2022	GUTTADAURO



RECOMMENDED PANEL CUTOUT



NOTES:

- ADAPTER HOUSING: ABS, UL94V-0 RATED, BLACK  
ADAPTER SHIELDING: STAINLESS STEEL  
ADAPTER PCB: GLASS FIBER EPOXY; FR-4, UL94 V-0
- RATING:  
CURRENT: 1.8A (P1 and P4 CONTACT); 0.25A (OTHER CONTACT)  
OPERATING TEMPERATURE: -10°C TO +70°C.
- ADAPTER SHALL BE TESTED FOR CONTINUITY.
- ADAPTER SHALL BE INDIVIDUALLY PACKAGED IN ACCORDANCE WITH L-COM SPECIFICATION PS-0031.

UNLESS OTHERWISE SPECIFIED, DIMENSIONS ARE IN INCHES [mm] OVERALL CABLE LENGTH TOLERANCE: ≤12 [305] = +1 [25] / -0 >12 [305] ≤60 [1524] = +2 [51] / -0 >60 [1524] ≤120 [3048] = +4 [102] / -0 >120 [3048] ≤300 [7620] = +6 [152] / -0 >300 [7620] = +5% / -0 ALL OTHER DIMENSIONAL TOLERANCES: .X = ± .2 [5]   FRACTIONS ± 1/32 .XX = ± .02 [5]   ANGLES ± 1° .XXX = ± .005 [13]	APPROVALS DRAWN BY B.ZHANG CHECKED BY GUTTADAURO APPROVED BY GUTTADAURO	DATE 01/18/2022 01/18/2022 01/18/2022	50 High Street, West Mill, North Andover, MA 01845 USA. Phone: 1.800.341.5266 1.978.682.6936	
	CONFIGURATION DETAILS OF UNDIMENSIONED FEATURES MAY VARY COLOR VARIATIONS MAY OCCUR	CATEGORY USB		PRODUCT DESCRIPTION KEYSTONE USB3.0 ADP, AF-BF, SHLD
THIRD-ANGLE PROJECTION 	SIZE A	CAGE CODE 43321	DWG. NO. U3KEY-AB-S	REV. A
SCALE: NONE		CAD FILE: U3KEY-AB-S.SLDDRW		SHEET 1 OF 1