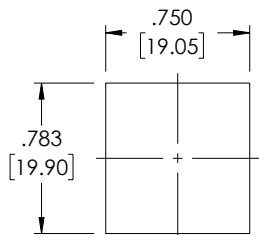
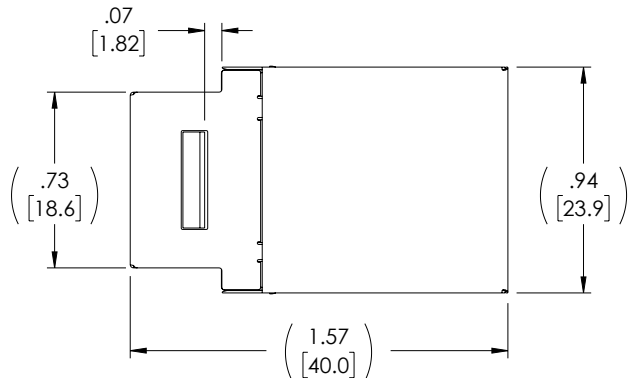
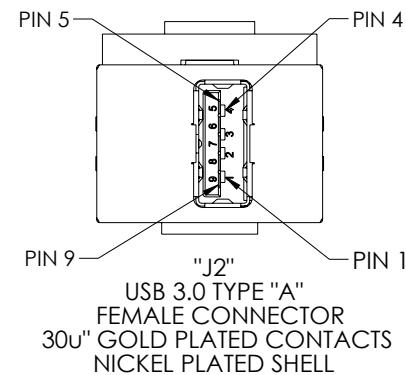
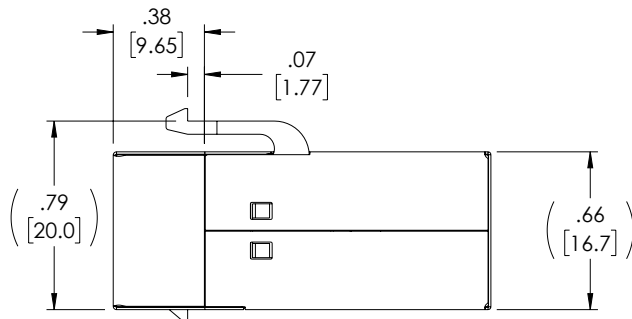
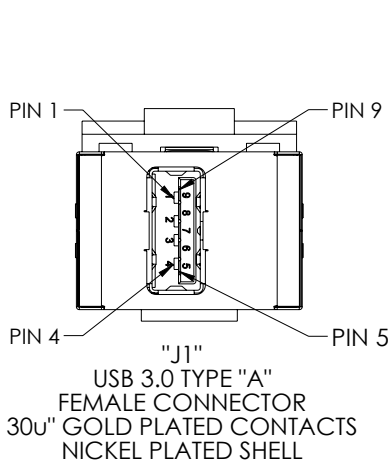
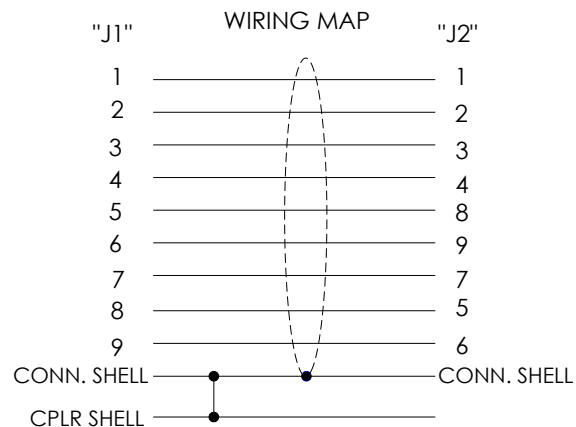


THE INFORMATION CONTAINED IN THIS DRAWING IS THE SOLE PROPERTY OF L-COM, INC. ANY REPRODUCTION IN PART OR WHOLE WITHOUT THE WRITTEN PERMISSION OF L-COM, INC. IS PROHIBITED.

REVISIONS			
REV	DESCRIPTION	DATE	APPROVED
A	INITIAL RELEASE	08/16/2022	GUTTADAURO


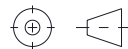


RECOMMENDED
PANEL CUTOUT



NOTES:

1. COUPLER HOUSING: ABS, UL94V-0 RATED, BLACK
COUPLER SHIELDING: STAINLESS STEEL
COUPLER PCB: GLASS FIBER EPOXY; FR-4, UL94 V-0
2. RATING:
CURRENT: 1.8A (P1 and P4 CONTACT); 0.25A (OTHER CONTACT)
OPERATING TEMPERATURE: -10°C TO +70°C.
3. COUPLER SHALL BE TESTED FOR CONTINUITY.
4. COUPLER SHALL BE INDIVIDUALLY PACKAGED
IN ACCORDANCE WITH L-COM SPECIFICATION PS-0031.

UNLESS OTHERWISE SPECIFIED, DIMENSIONS ARE IN INCHES [mm]	APPROVALS	DATE	 50 High Street, West Mill, North Andover, MA 01845 USA. Phone: 1.800.341.5266 1.978.682.6936				
	OVERALL CABLE LENGTH TOLERANCE: ≤12 [305] = +1 [25] / -0 >12 [305] ≤60 [1524] = +2 [51] / -0 >60 [1524] ≤120 [3048] = +4 [102] / -0 >120 [3048] ≤300 [7620] = +6 [152] / -0 >300 [7620] = +5% / -0	DRAWN BY BZHANG		01/18/2022			
ALL OTHER DIMENSIONAL TOLERANCES: .X = ± .2 [5] FRACTIONS ± 1/32 .XX = ± .02 [.5] ANGLES ± 1° .XXX = ± .005 [.13]	CHECKED BY GUTTADAURO	01/18/2022	CATEGORY USB				
	APPROVED BY GUTTADAURO	01/18/2022	PRODUCT DESCRIPTION KEYSTONE USB3.0 CPLR AF-AF SHLD				
THIRD-ANGLE PROJECTION 	CONFIGURATION DETAILS OF UNDIMENSIONED FEATURES MAY VARY	COLOR VARIATIONS MAY OCCUR	<table border="1"> <tr> <td>SIZE A</td> <td>CAGE CODE 43321</td> <td>DWG. NO. U3KEY-AA-S</td> <td>REV. A</td> </tr> </table>	SIZE A	CAGE CODE 43321	DWG. NO. U3KEY-AA-S	REV. A
SIZE A	CAGE CODE 43321	DWG. NO. U3KEY-AA-S	REV. A				
SCALE: NONE		CAD FILE: U3KEY-AA-S.LDDRW					
			SHEET 1 OF 1				