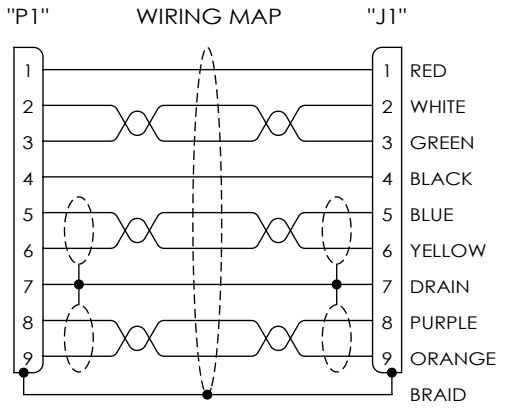
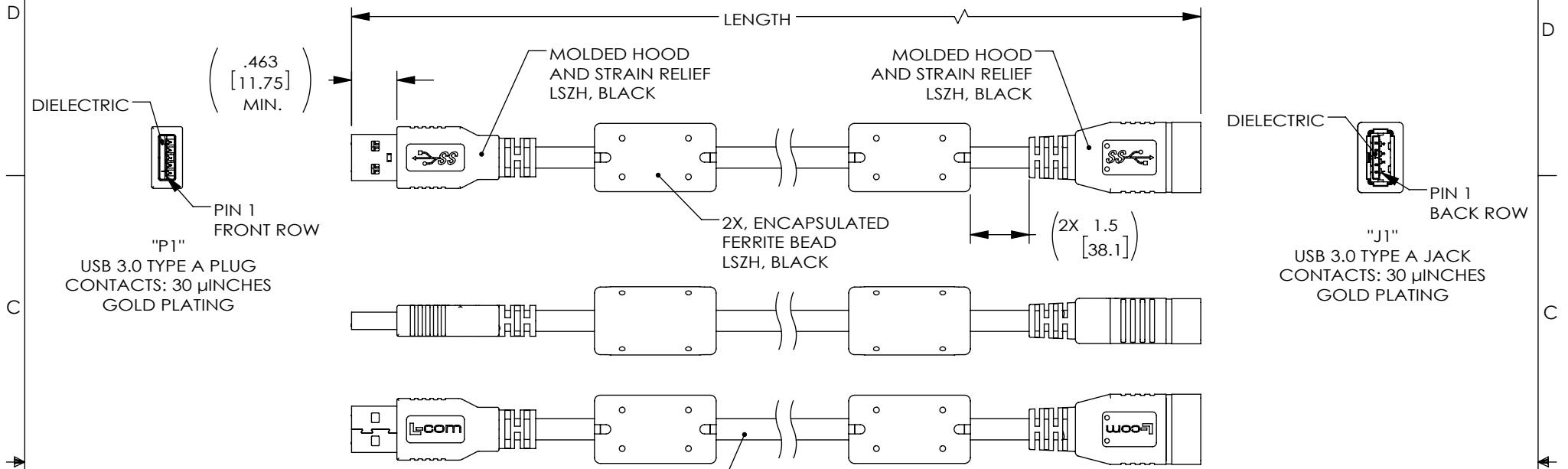


THE INFORMATION CONTAINED IN THIS DRAWING IS THE SOLE PROPERTY OF L-COM, INC. ANY REPRODUCTION IN PART OR WHOLE WITHOUT THE WRITTEN PERMISSION OF L-COM, INC. IS PROHIBITED.

REVISIONS			
REV	DESCRIPTION	DATE	APPROVED
A	REV A DRAWING RELEASED	05/16/18	S.LI
B	ECN 10770: ADD CABLE FLAME, TEMP RATING AND LSZH IEC STANDARDS	11/04/2020	DGUTTADAURC



UL STYLE 21551, 2X, TWISTED PAIR, 30AWG WITH ALUM/POLY FOIL SHIELD AND DRAIN WIRE. ONE UNSHIELDED TWISTED PAIR, 30AWG. 2 COND., 24AWG. OVERALL BRAID SHIELD, 65% JACKET: LSZH, BLACK(NOM. DIA. .217[5.5]; FLAME RATING: UL VW-1; TEMPERATURE RANGE: -10~+80°C)  $\triangle B$

$\triangle B$  **LSZH CABLE CHARACTERISTICS:**  
 FLAME RATING: IEC 60332-1  
 CORROSIVE GAS: IEC 60754  
 SMOKE EMISSION: IEC 61034

PART NUMBER	LENGTH METERS [FEET]
U3A00086-03M	0.3 [.98]
U3A00086-05M	0.5 [1.64]
U3A00086-1M	1.0 [3.28]

- NOTES:**
1. CABLE ASSEMBLY SHALL BE TESTED FOR CONTINUITY.
  2. CABLE ASSEMBLY SHALL HAVE 360° SHIELD TERMINATION.
  3. CABLE ASSEMBLY MUST MEET USB 3.0 REQUIREMENTS.
  4. CABLE ASSEMBLY SHALL BE INDIVIDUALLY PACKAGED IN ACCORDANCE WITH L-COM SPECIFICATION PS-0031.

UNLESS OTHERWISE SPECIFIED, DIMENSIONS ARE IN INCHES [mm] OVERALL CABLE LENGTH TOLERANCE: ≤12 [305] = +1 [25] / -0 >12 [305] ≤60 [1524] = +2 [51] / -0 >60 [1524] ≤120 [3048] = +4 [102] / -0 >120 [3048] ≤300 [7620] = +6 [152] / -0 >300 [7620] = +5% / -0 ALL OTHER DIMENSIONAL TOLERANCES: .X = ± .2 [5]   FRACTIONS ± 1/32 .XX = ± .02 [.5]   ANGLES ± 1° .XXX = ± .005 [.13]	APPROVALS DRAWN BY S.LI CHECKED BY B.ZHANG APPROVED BY S.PAN	DATE 01/23/18 01/23/18 01/23/18	50 High Street, West Mill, North Andover, MA 01845 USA. Phone: 1.800.341.5266 1.978.682.6936	
	CONFIGURATION DETAILS OF UNDIMENSIONED FEATURES MAY VARY			CATEGORY USB
	THIRD-ANGLE PROJECTION 		COLOR VARIATIONS MAY OCCUR	PRODUCT DESCRIPTION CA, USB3.0 TYPE A/AF LSZH W/FERRITE
	SIZE <b>A</b>		CAGE CODE <b>43321</b>	DWG. NO. <b>U3A00086</b>
SCALE: NONE		CAD FILE: U3A00086.SLDDRW	REV. <b>B</b> SHEET 1 OF 1	