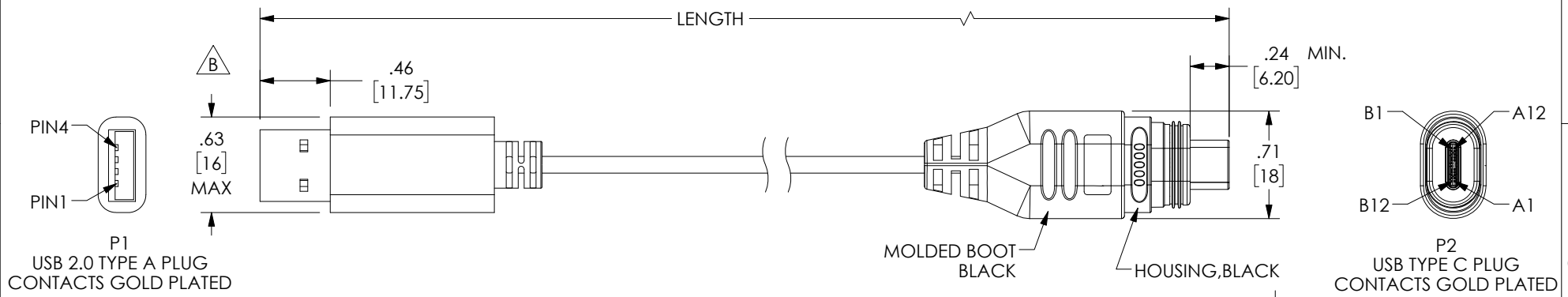
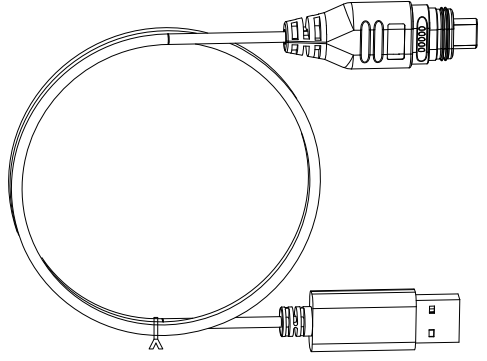


THE INFORMATION CONTAINED IN THIS DRAWING IS THE SOLE PROPERTY OF L-COM, INC. ANY REPRODUCTION IN PART OR WHOLE WITHOUT THE WRITTEN PERMISSION OF L-COM, INC. IS PROHIBITED.

REVISIONS			
REV	DESCRIPTION	DATE	APPROVED
A	INITIAL RELEASE	12/06/2017	DCUI
B	ECN 9326: PER NEW SPEC ADD DIMS&WINDING DIAGRAM VIEW.REM -2M PN.	08/13/2018	BGATES



UL STYLE 2725,
 (1) 32AWG STRANDED TINNED COPPER TWISTED PAIR
 (1) 24AWG STRANDED TINNED COPPER CONDUCTORS
 (1) 28AWG STRANDED TINNED COPPER CONDUCTORS
 OVERALL ALUMINUM/POLYESTER SHIELD PLUS TINNED COPPER BRAID SHIELD AND DRAIN WIRE
 JACKET: PVC, BLACK (NOM. DIAM. .110[2.8])



WINDING DIAGRAM B

WIRE MAP					
P1	SIGNAL NAME	CONDUCTOR	SIGNAL NAME	P2	COLOR
1	VBUS	INDV.	VBUS	A4,A9,B4,B9	RED
2	D-	TWIST PAIR	Dn1	A7	WHITE
3	D+		Dp1	A6	GREEN
4	GND	INDV.	GND	A1,A12,B1,B12	BLACK
	SHELL SHIELD	BRAID	SHIELD	SHELL	N/A

PART NUMBER	LENGTH	
	METERS	FEET
U3A00064-1M	1.0	3.28
U3A00064-3M	3.0	9.84

- NOTES**
- INGRESS PROTECTION RATING IS IP68 (P2 ONLY, MATED, 1 METER, 24H)
 - CABLE ASSEMBLIES TO BE TESTED FOR CONTINUITY
 - CABLE ASSEMBLY SHALL BE INDIVIDUALLY PACKAGED IN ACCORDANCE WITH L-COM SPECIFICATION PS-0031.

REGULATORY COMPLIANCE:
 CE2011/65/EU(RoHS DIRECTIVE)

UNLESS OTHERWISE SPECIFIED, DIMENSIONS ARE IN INCHES [mm]

OVERALL CABLE LENGTH TOLERANCE:
 ≤ 12 [305] = +1 [25] / -0
 >12 [305] ≤ 60 [1524] = +2 [51] / -0
 >60 [1524] ≤ 120 [3048] = +4 [102] / -0
 >120 [3048] ≤ 300 [7620] = +6 [152] / -0
 >300 [7620] = +5% / -0%

ALL OTHER DIMENSIONAL TOLERANCES:
 .X = ± .2 [5.08]
 .XX = ± .02 [51]
 .XXX = ± .005 [1.27]

PROJECTION

APPROVALS: DRAWN BY CN_Derek_Cui, CHECKED BY CN_Bill_Zhang, APPROVED BY CN_Shawn_Pan, DATE 12/01/2017

CONFIGURATION DETAILS OF UNDIMENSIONED FEATURES MAY VARY

COLOR VARIATIONS MAY OCCUR

L-com Global Connectivity 50 HIGH STREET NORTH ANDOVER, MA 01845

CATEGORY: USB 2.0

PRODUCT DESCRIPTION: CBLWTR PRF USB C-M/A-M

SIZE: A, FSCM NO.: 43321, DWG. NO.: U3A00064, REF: B

SCALE: NONE, CAD FILE: U3A00064.SLDDRW, SHEET 1 OF 1