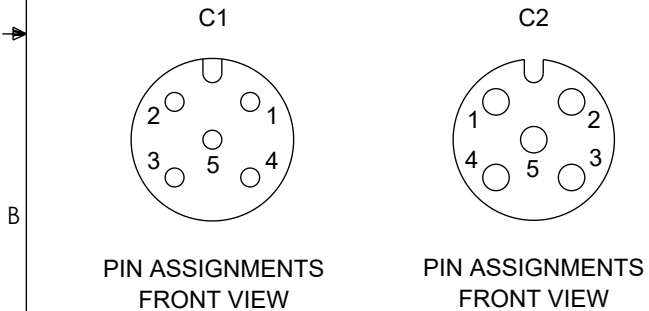
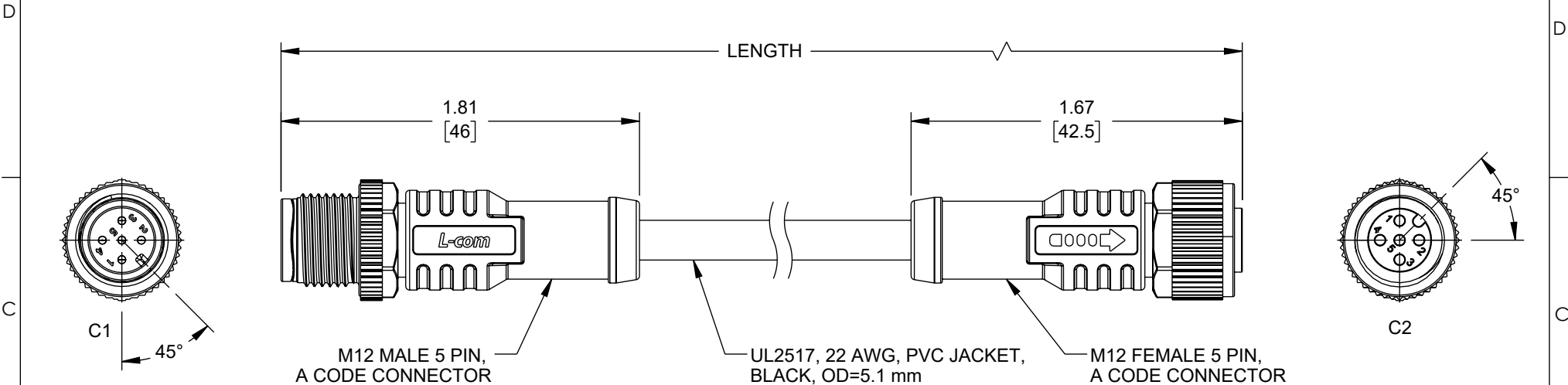


THE INFORMATION CONTAINED IN THIS DRAWING IS THE SOLE PROPERTY OF L-COM, INC. ANY REPRODUCTION IN PART OR WHOLE WITHOUT THE WRITTEN PERMISSION OF L-COM, INC. IS PROHIBITED.

REVISION					
ZONE	REV	DESCRIPTION	DATE	CHANGED BY	APPROVED
	A	INITIAL RELEASE	09/18/2023	VTHANGARAJ	GUTTADAURO



WIRING MAP

C1	C2 WIRE COLOR
5	5 GRAY
4	4 BLACK
3	3 BLUE
2	2 WHITE
1	1 BROWN

TABULATION BLOCK		
ITEM NUMBER	LENGTH METERS [FEET]	TOLERANCE INCH [mm]
TRGPA502-C2B-1M	1.0 [3.28]	+4.72 [+120]
TRGPA502-C2B-5M	5.0 [16.4]	±3.94 [±100]

- NOTES:**
1. IP: IP68 MATED 1M/24h
 2. CONNECTOR: THERMOPLASTIC, BLACK
 3. PIN: COPPER ALLOY, GOLD PLATED
 4. NUT: THERMOPLASTIC, BLACK
 5. OUTER MOLD: THERMOPLASTIC, BLACK
 6. CABLE ASSEMBLIES SHALL BE TESTED FOR CONTINUITY.
 7. CABLE ASSEMBLY SHALL BE INDIVIDUALLY PACKAGED.

REGULATORY COMPLIANCE:
EU RoHS DIRECTIVE (MOST RECENT RELEASED VERSION)

<p>UNLESS OTHERWISE SPECIFIED, DIMENSIONS ARE IN INCHES [mm]</p> <p>OVERALL CABLE LENGTH TOLERANCE: ≤12 [305] = +1 [25] / -0 >12 [305] ≤60 [1524] = +2 [51] / -0 >60 [1524] ≤120 [3048] = +4 [102] / -0 >120 [3048] ≤300 [7620] = +6 [152] / -0 >300 [7620] = +5% / -0</p> <p>ALL OTHER DIMENSIONAL TOLERANCES: .X = ±.2 [5] FRACTIONS ± 1/32 .XX = ±.02 [5] ANGLES ± 1° .XXX = ±.005 [13]</p> <p>THIRD-ANGLE PROJECTION</p>	<p>APPROVALS</p> <p>DATE</p>	<p>L-com an INFINIT® brand</p> <p>50 High Street, West Mill, North Andover, MA 01845 USA. Phone: 1.800.341.5266 1.978.682.6936</p>	
	<p>DRAWN BY VTHANGARAJ</p> <p>CHECKED BY DGUST</p> <p>APPROVED BY GUTTADAURO</p>		<p>09/18/2023</p> <p>09/18/2023</p> <p>09/18/2023</p>
	<p>CONFIGURATION DETAILS OF UNDIMENSIONED FEATURES MAY VARY</p> <p>COLOR VARIATIONS MAY OCCUR</p>		<p>CATEGORY</p> <p>TELECOM/MODULAR</p>
	<p>PRODUCT DESCRIPTION</p> <p>IP69K WATERPROOF M12 5 POSITION A-CODE SENSOR ACTUATOR SIGNAL CABLE, LIGHT WEIGHT PLASTIC NUT, 22 AWG, PVC, MALE TO FEMALE, BLACK</p>		<p>SIZE</p> <p>A</p> <p>CAGE CODE</p> <p>43321</p> <p>ITEM NO.</p> <p>TRGPA502-C2B</p>
<p>SCALE: NONE</p> <p>CAD FILE: TRGPA502-C2B.SLDDRW</p>		<p>REV.</p> <p>A</p>	