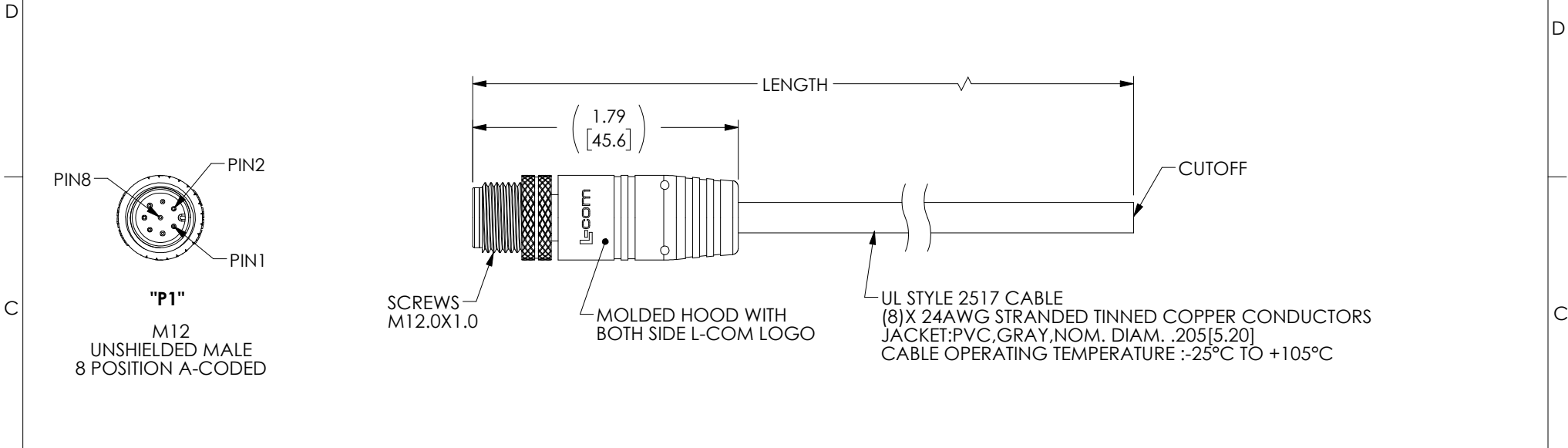


THE INFORMATION CONTAINED IN THIS DRAWING IS THE SOLE PROPERTY OF L-COM, INC. ANY REPRODUCTION IN PART OR WHOLE WITHOUT THE WRITTEN PERMISSION OF L-COM, INC. IS PROHIBITED.

REVISIONS			
REV	DESCRIPTION	DATE	APPROVED
A	INITIAL RELEASED	03/10/2021	DGUITADAUR



NOTES

MATERIAL:
 MOLDED HOOD:PVC,BLACK,UL94 V-0,UV RESISTANCE
 INSULATOR: TPU,BLACK
 SCREWS: BRASS, NICKEL PLATE
 CONTACTS: PHOSPHOR BRONZE, 15μ" MIN. GOLD PLATE

ELECTRICAL:
 NOMINAL VOLTAGE RATING: 30 V AC/DC
 MAX CURRENT: 2A

APPLICATION:
 INGRESS PROTECTION RATING IS IP67 (MATED).

ENVIRONMENTAL:
 OPERATING TEMPERATURE RANGE: -25°C TO +80°C
 CABLE JACKET RESISTANCE: SUNLIGHT ,MOISTURE
 CABLE JACKET FLAME RATING:VW-1

MISCELLANEOUS
 CABLE ASSEMBLIES TO BE TESTED FOR CONTINUITY
 CABLE ASSEMBLY SHALL BE INDIVIDUALLY PACKAGED IN ACCORDANCE WITH L-COM SPECIFICATION PS-0031.

WIRING MAP

"P1"	"CUTOFF"
WHITE 1	_____
BROWN 2	_____
GREEN 3	_____
YELLOW 4	_____
GRAY 5	_____
PINK 6	_____
BLUE 7	_____
RED 8	_____

PART NUMBER	LENGTH	
	FEET	METERS
TRG885-C4G-2M	6.56	2.0
TRG885-C4G-5M	16.41	5.0

UNLESS OTHERWISE SPECIFIED, DIMENSIONS ARE IN INCHES [mm] OVERALL CABLE LENGTH TOLERANCE: ≤12 [305] = +1 [25] / -0 >12 [305] ≤60 [1524] = +2 [51] / -0 >60 [1524] ≤120 [3048] = +4 [102] / -0 >120 [3048] ≤300 [7620] = +6 [152] / -0 >300 [7620] = +5% / -0 ALL OTHER DIMENSIONAL TOLERANCES: .X = ± .2 [5] FRACTIONS .XX = ± .02 [5] ± 1/32 .XXX = ± .005 [13] ANGLES ± 1° THIRD-ANGLE PROJECTION 	APPROVALS DRAWN BY B.ZHANG CHECKED BY SPAN APPROVED BY DGUITADAUR 03/08/2021	DATE 03/08/2021	 an INFINITI brand 50 High Street, West Mill, North Andover, MA 01845 USA. Phone: 1.800.341.5266 1.978.682.6936
	CONFIGURATION DETAILS OF UNDIMENSIONED FEATURES MAY VARY COLOR VARIATIONS MAY OCCUR	CATEGORY TELECOM/MODULAR	PRODUCT DESCRIPTION M12 8PAM PIGTAIL UNSHLD 24AWG PVC GRY
REF	SIZE A	CAGE CODE 43321	DWG. NO. TRG885-C4G