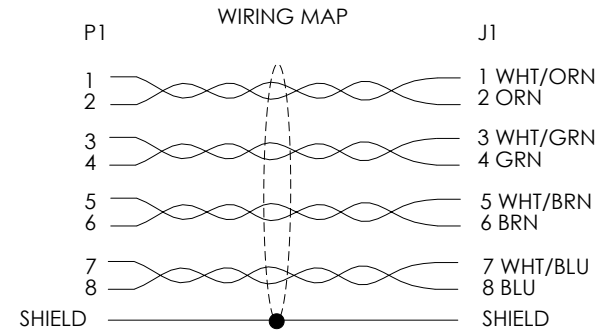
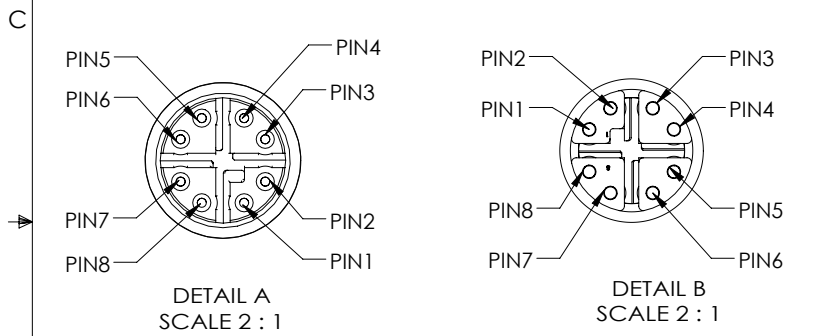
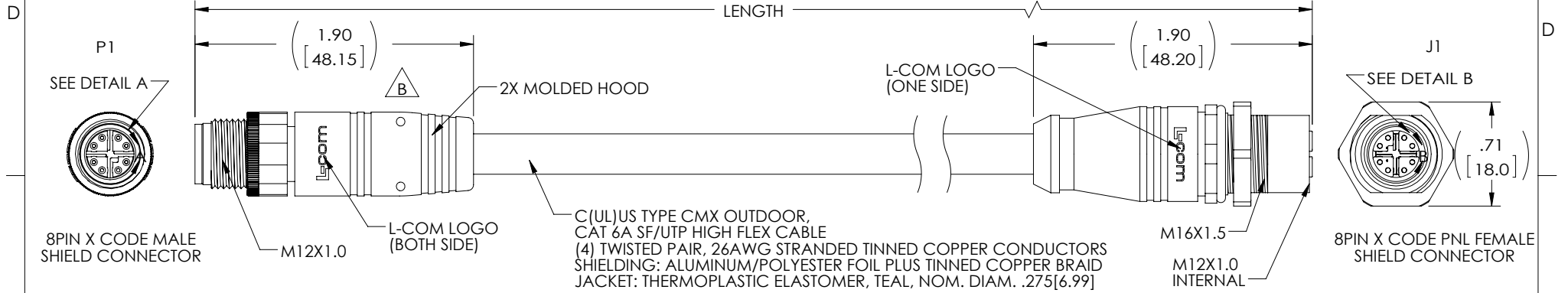
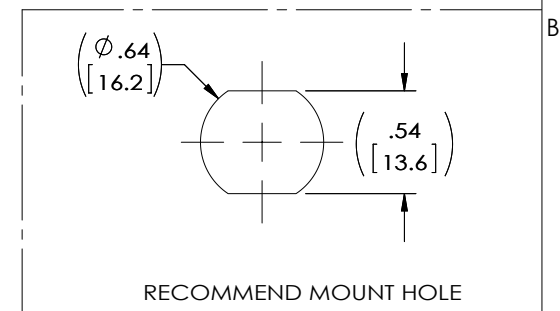


THE INFORMATION CONTAINED IN THIS DRAWING IS THE SOLE PROPERTY OF L-COM, INC. ANY REPRODUCTION IN PART OR WHOLE WITHOUT THE WRITTEN PERMISSION OF L-COM, INC. IS PROHIBITED.

REVISIONS			
REV	DESCRIPTION	DATE	APPROVED
A	INITIAL RELEASE	8/30/16	D.GRIFFIN
B	ECN 8810:CHANGED IP RATING TO IP67 . MOLDED HOOD ADD FOUR LOCATION HOLES	06/08/17	D.CUI



PART NUMBER	LENGTH	
	FEET	METERS
TRG626-T6T-05M	1.64	0.5
TRG626-T6T-1M	3.28	1.0
TRG626-T6T-2M	6.56	2.0
TRG626-T6T-3M	9.84	3.0
TRG626-T6T-5M	16.41	5.0
TRG626-T6T-10M	32.82	10.0



NOTES
MATERIAL:
 MOLDED HOOD: THERMOPLASTIC POLYURETHANE, BLACK
 INSULATOR: NYLON, BLACK
 SHELL/SCREW NUT: BRASS, NICKEL PLATE
 CONTACTS: PHOSPHOR BRONZE, 15" MIN. GOLD PLATE
 O-RING: VITON

ELECTRICAL:
 NOMINAL VOLTAGE RATING: 48V AC/DC
 MAX CURRENT: 0.5A

APPLICATION:
 INGRESS PROTECTION RATING IS IP67(MATED)

ENVIRONMENTAL:
 OPERATING TEMPERATURE RANGE: -40°C TO +75°C

MISCELLANEOUS
 CABLE ASSEMBLIES TO BE TESTED FOR CONTINUITY WIRED TO IEC 61076-2-109 STANDARDS
 CABLE ASSEMBLY SHALL BE INDIVIDUALLY PACKAGED IN ACCORDANCE WITH L-COM SPECIFICATION PS-0031.

REGULATORY COMPLIANCE:
 CE2011/65/EU(RoHS DIRECTIVE)

UNLESS OTHERWISE SPECIFIED, DIMENSIONS ARE IN INCHES [mm] OVERALL CABLE LENGTH TOLERANCE: ≤12 [305] = +1 [25] / -0 >12 [305] ≤60 [1524] = +2 [51] / -0 >60 [1524] ≤120 [3048] = +4 [102] / -0 >120 [3048] ≤300 [7620] = +6 [152] / -0 >300 [7620] = +3% / -0% ALL OTHER DIMENSIONAL TOLERANCES: .X = ± .2 [5.08] .XX = ± .02 [1.51] .XXX = ± .005 [1.3]	APPROVALS	DATE
	DRAWN BY D.CUI	03/03/16
	CHECKED BY D. DESJARDIN	03/08/16
	APPROVED BY D. GUTSDAURO	03/08/16
PROJECTION	CONFIGURATION DETAILS OF UNDIMENSIONED FEATURES MAY VARY	COLOR VARIATIONS MAY OCCUR

L-com Global Connectivity

50 HIGH STREET NORTH ANDOVER, MA 01845

CATEGORY: TELECOM/MODULAR

PRODUCT DESCRIPTION: C6A M12X M/F PN TPE 26 TEL

SIZE: A FSCM NO.: 43321 DWG. NO.: TRG626-T6T

SCALE: NONE CAD FILE: TRG626-T6T.SLDDRW SHEET 1 OF 1