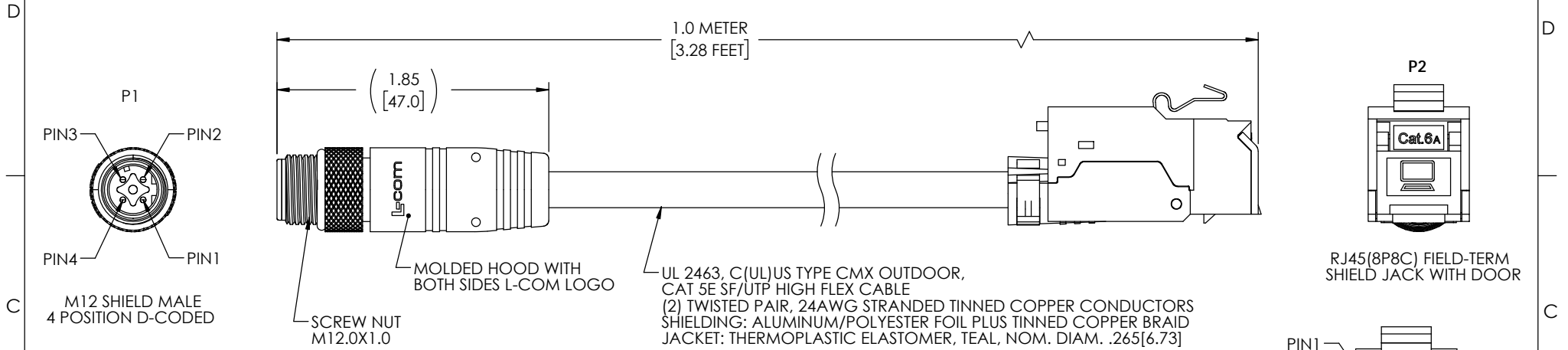


THE INFORMATION CONTAINED IN THIS DRAWING IS THE SOLE PROPERTY OF L-COM, INC. ANY REPRODUCTION IN PART OR WHOLE WITHOUT THE WRITTEN PERMISSION OF L-COM, INC. IS PROHIBITED.

REVISION					
ZONE	REV	DESCRIPTION	DATE	CHANGED BY	APPROVED
	A	PRELIMINARY RELEASE	01/04/2024	BZHANG	GUTTADAURO



NOTES

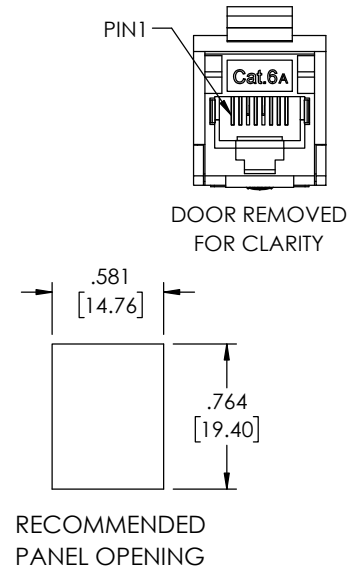
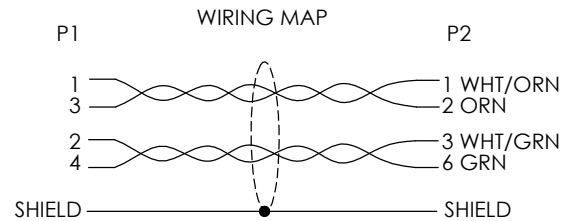
MATERIAL:
 MOLDED HOOD: THERMOPLASTIC POLYURETHANE, BLACK
 M12 INSULATOR: NYLON, BLACK
 M12 SHELL/SCREW NUT: BRASS, NICKEL PLATE
 M12 CONTACTS: PHOSPHOR BRONZE, 15µ" MIN. GOLD PLATE
 RJ45 JACK HOUSING/CAP: ZINC ALLOY DIE-CAST
 RJ45 JACK INSULATOR: HIGH IMPACT FLAME RETARDANT PLASTIC
 RJ45 JACK SPRING SHIELDING: COPPER ALLOY, NICKEL PLATE
 RJ45 JACK CONTACTS: PHOSPHOR BRONZE, GOLD PLATE IN CONTACT AREA OVER NICKEL PLATE


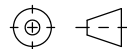
ELECTRICAL:
 NOMINAL VOLTAGE RATING: 125 VAC/VDC
 MAX CURRENT: 1.5A

APPLICATION:
 INGRESS PROTECTION RATING IS IP67(MATED,P1 ONLY).

ENVIRONMENTAL:
 OPERATING TEMPERATURE RANGE: -40°C TO +68°C
 CABLE JACKET RESISTANCE: OIL, SUNLIGHT, AND WELD SPLATTER RESISTANT
 CABLE FLEX LIFE: 1 MILLION CYCLE TEST (10X CABLE OD)
 10 MILLION CYCLE TEST (20X CABLE OD)

MISCELLANEOUS
 CABLE ASSEMBLIES TO BE TESTED FOR CONTINUITY
 CABLE ASSEMBLY SHALL BE INDIVIDUALLY PACKAGED IN ACCORDANCE WITH L-COM SPECIFICATION PS-0031.



UNLESS OTHERWISE SPECIFIED, DIMENSIONS ARE IN INCHES [mm] OVERALL CABLE LENGTH TOLERANCE: ≤12 [305] = +1 [25] / -0 >12 [305] ≤60 [1524] = +2 [51] / -0 >60 [1524] ≤120 [3048] = +4 [102] / -0 >120 [3048] ≤300 [7620] = +6 [152] / -0 >300 [7620] = +5% / -0 ALL OTHER DIMENSIONAL TOLERANCES: .X = ± .2 [5] FRACTIONS ± 1/32 .XX = ± .02 [5] ANGLES ± 1° .XXX = ± .005 [13]	APPROVALS BZHANG	DATE 11/15/2023	 50 High Street, West Mill, North Andover, MA 01845 USA. Phone: 1.800.341.5266 1.978.682.6936			
	CHECKED BY GUTTADAURO	11/15/2023		CATEGORY TELECOM/MODULAR		
	APPROVED BY GUTTADAURO	11/15/2023	PRODUCT DESCRIPTION C5E M12MD/FRJ45 TPE 24 TEL			
	THIRD-ANGLE PROJECTION 	CONFIGURATION DETAILS OF UNDIMENSIONED FEATURES MAY VARY	COLOR VARIATIONS MAY OCCUR	SIZE A	CAGE CODE 43321	DWG. NO. TRG525-T4T-1M