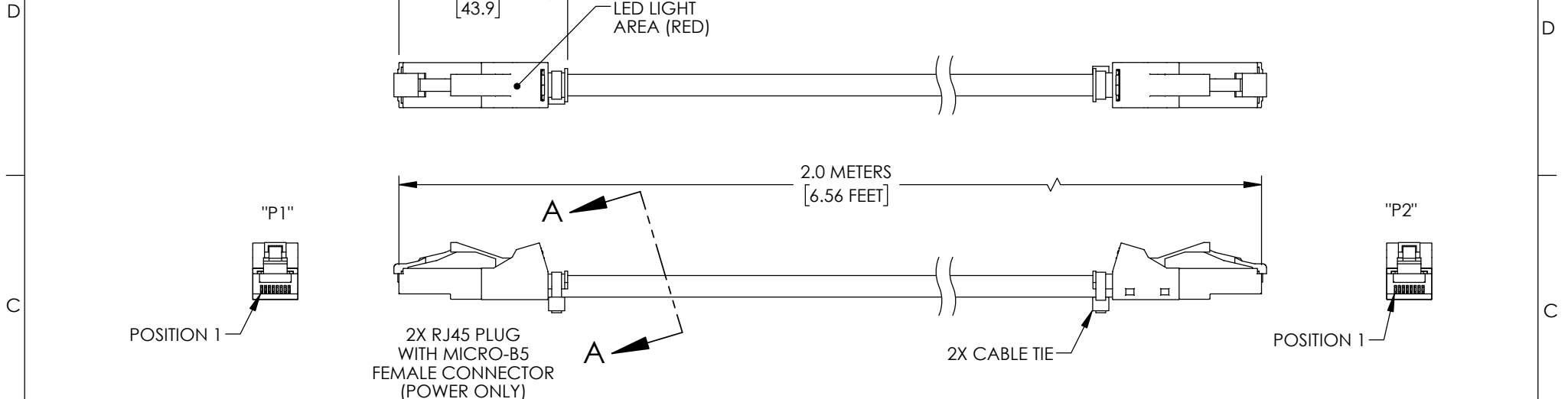


THE INFORMATION CONTAINED IN THIS DRAWING IS THE SOLE PROPERTY OF L-COM, INC. ANY REPRODUCTION IN PART OR WHOLE WITHOUT THE WRITTEN PERMISSION OF L-COM, INC. IS PROHIBITED.

| REVISIONS | | | |
|-----------|------------------|------------|------------|
| REV | DESCRIPTION | DATE | APPROVED |
| A | INITIAQL RELEASE | 01/13/2020 | GUTTADAURO |
| | | | |
| | | | |



NOTES:

MATERIAL:

PLUG HOUSING: POLYCARBONATE 94V-2, PLASTIC, CLEAR
 STRAIN RELIEF: POLYCARBONATE 94V-0, PLASTIC, CLEAR
 PLUG CONTACTS: PHOSPHOR BRONZE WITH 50µ" GOLD PLATING
 CABLE: CAT 6A UTP 4 TWISTED PAIR, 26AWG
 TRACING CABLE: 2 COND., 30AWG (BLACK & RED)
 JACKET: PVC, BEIGE

FEATURES:

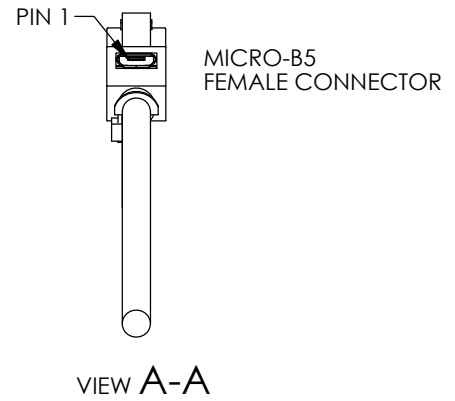
LED LIGHT POWERED BY MICRO-USB


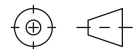
SPECIFICATIONS:

CATEGORY: CAT 6A
 WIRING SCHEME: T568B
 CURRENT RATING: 1.5 AMP mps
 INSULATION RESISTANCE: MIN 500M OHM
 CONTACT RESISTANCE: MAX 20 mohm
 DIELECTRIC STRENGTH: MIN 1000 Vac (rms)
 VOLTAGE: MAX 30VAc
 INSERTION LIFE: 750 MATING CYCLES
 PULLING FORCE: 20 LBS (89 N)
 STORAGE TEMPERATURE: -20° C ~ 70° C
 OPERATING TEMPERATURE: -10° C ~ 60° C

NOTES:

ALL DIMENSIONS ARE FOR REFERENCE ONLY.
 CABLE ASSEMBLY SHALL BE TESTED FOR CONTINUITY.
 CABLE ASSEMBLY SHALL BE INDIVIDUALLY PACKAGED IN ACCORDANCE WITH L-COM SPECIFICATION PS-0031.



| | | | | | | |
|--|---|----------------------------|--|--|---------------------------|------------------------------|
| UNLESS OTHERWISE SPECIFIED, DIMENSIONS ARE IN INCHES [mm] | APPROVALS | DATE |  50 High Street, West Mill, North Andover, MA 01845 USA. Phone: 1.800.341.5266 1.978.682.6936 | | | |
| | OVERALL CABLE LENGTH TOLERANCE: ≤12 [305] = +1 [25] / -0 >12 [305] ≤60 [1524] = +2 [51] / -0 >60 [1524] ≤120 [3048] = +4 [102] / -0 >120 [3048] ≤300 [7620] = +6 [152] / -0 >300 [7620] = +5% / -0 | DRAWN BY DFRISIELLO | | 01/07/2020 | | |
| ALL OTHER DIMENSIONAL TOLERANCES: .X = ± .2 [5] FRACTIONS ± 1/32 .XX = ± .02 [5] ANGLES ± 1° .XXX = ± .005 [13] | CHECKED BY GUTTADAURO | 01/13/2020 | CATEGORY TELECOM/MODULAR | | | |
| | APPROVED BY GUTTADAURO | 01/13/2020 | | PRODUCT DESCRIPTION Cat 6A LED Traceable Patch Cord, UTP, Gray | | |
| THIRD-ANGLE PROJECTION  | CONFIGURATION DETAILS OF UNDIMENSIONED FEATURES MAY VARY | COLOR VARIATIONS MAY OCCUR | SIZE A | | CAGE CODE 43321 | ITEM NO. TRD695ATC |
| SCALE: NONE | | CAD FILE: TRD695ATC.SLDDRW | | SHEET 1 OF 1 | | |