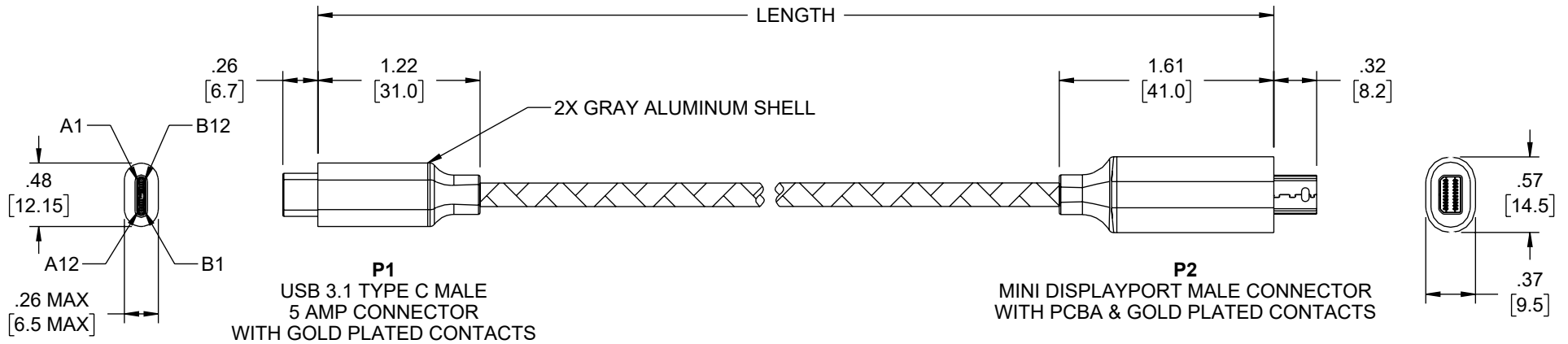


THE INFORMATION CONTAINED IN THIS DRAWING IS THE SOLE PROPERTY OF SHOW ME CABLES, INC. ANY REPRODUCTION IN PART OR WHOLE WITHOUT THE WRITTEN PERMISSION OF SHOW ME CABLES, INC. IS PROHIBITED.

REVISION					
ZONE	REV	DESCRIPTION	DATE	CHANGED BY	APPROVED
	A	INITIAL RELEASE	06/20/2023	HBAKKE	GUTTADAURO



**P1**  
USB 3.1 TYPE C MALE  
5 AMP CONNECTOR  
WITH GOLD PLATED CONTACTS

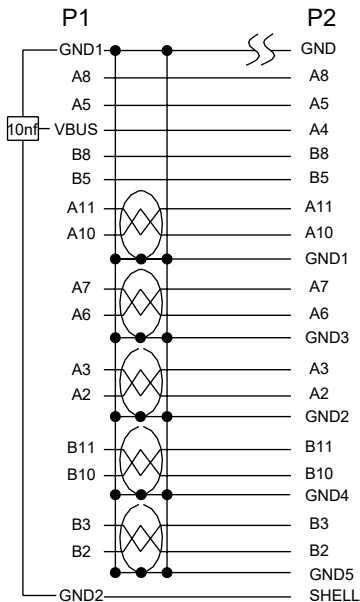
**P2**  
MINI DISPLAYPORT MALE CONNECTOR  
WITH PCBA & GOLD PLATED CONTACTS

**NOTES:**

- CABLE: (7/0.08T\*1P+1C+AL+MY)\*5C+7/0.08T\*5C+ADB  
OD: 5.5mm, BLACK NYLON BRAID, JACKET: PVC, BLACK
- ELECTRICAL TEST:
  - 100% OPEN SHORT & MISS WIRE TEST
  - CONTACT RESISTANCE: 5 OHM MAX
  - INSULATION RESISTANCE: 10M OHM MIN
  - HI-POT TEST: DC 300V/10ms
- CABLE SHALL BE TESTED FOR CONTINUITY.
- CABLE SHALL BE INDIVIDUALLY PACKAGED.

PART NUMBER	LENGTH	
	FEET	METERS
SUSBCMDP4K-MM-1M	3.28	1.0
SUSBCMDP4K-MM-3M	9.84	3.0

**Pin Assignments:**



**REGULATORY COMPLIANCE:**

EU RoHS DIRECTIVE (MOST RECENT RELEASED VERSION)

UNLESS OTHERWISE SPECIFIED, DIMENSIONS ARE IN INCHES [mm]  OVERALL CABLE LENGTH TOLERANCE: ≤12 [305] = +1 [25] / -0 >12 [305] ≤60 [1524] = +2 [51] / -0 >60 [1524] ≤120 [3048] = +4 [102] / -0 >120 [3048] ≤300 [7620] = +6 [152] / -0 >300 [7620] = +5% / -0  ALL OTHER DIMENSIONAL TOLERANCES: .X = ± .2 [5]   FRACTIONS ± 1/32 .XX = ± .02 [5]   ANGLES ± 1° .XXX = ± .005 [1.3]	APPROVALS HBAKKE	DATE 06/20/2023	<b>Show Me</b> CABLES an INFINIT® brand  115 Chesterfield Industrial Blvd., Chesterfield, MO 63005 Phone: 1.888.519.9505 Fax: 1.888.519.9515
	DRAWN BY HBAKKE	CHECKED BY DMAY	
APPROVED BY RCARLESCO	DATE 06/20/2023	CATEGORY  AUDIO/VIDEO	PRODUCT DESCRIPTION USBC to MDP, M/M, Alum Shell, 4K @ 60 Hz, Black Nylon Braid
THIRD-ANGLE PROJECTION 	CONFIGURATION DETAILS OF UNDIMENSIONED FEATURES MAY VARY	COLOR VARIATIONS MAY OCCUR	SIZE A CAGE CODE 3SVT8 ITEM NO. SUSBCMDP4K-MM SCALE: NONE CAD FILE: SUSBCMDP4K-MM.SLDDRW
			REV. A SHEET 1 OF 1