

6

5

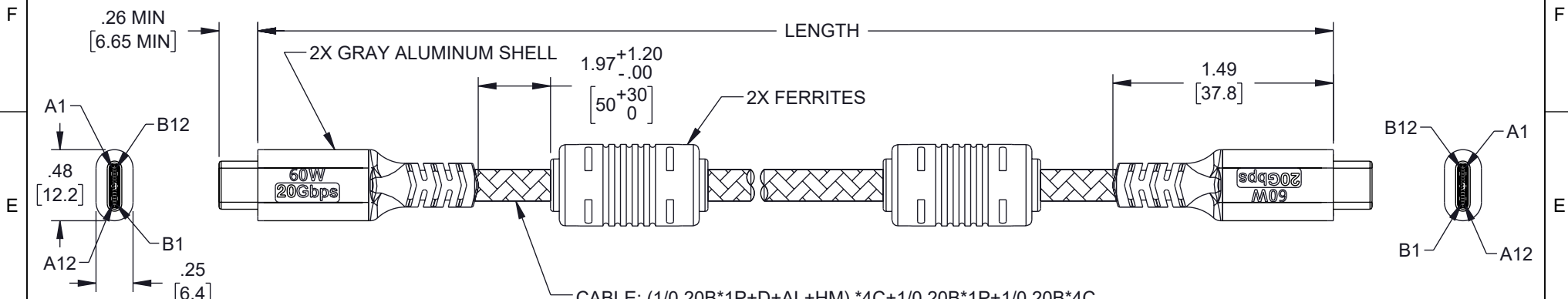
4

3

2

1

REVISION					
ZONE	REV	DESCRIPTION	DATE	CHANGED BY	APPROVED
	A	INITIAL RELEASE	02/06/2024	DMAY	DGUTTADAURO

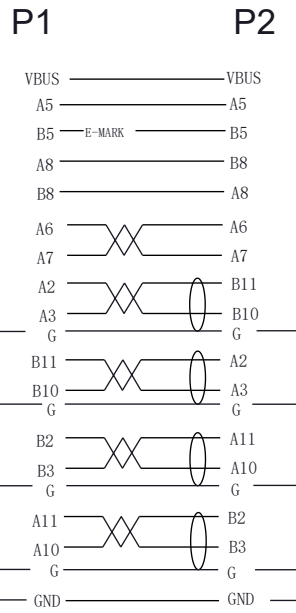


**P1**  
 USB 3.2 TYPE C, MALE 5A  
 CONNECTOR  
 W/ NICKEL PLATED CONTACTS

CABLE: (1/0.20B\*1P+D+AL+HM) \*4C+1/0.20B\*1P+1/0.20B\*4C  
 +7/0.20B\*2C+F+D+AB16/5/0.8T  
 OD: 5.20±0.2mm, BLACK NYLON BRAID, JACKET: PVC, BLACK

**P2**  
 USB 3.2 TYPE C, MALE 5A  
 CONNECTOR  
 W/ NICKEL PLATED CONTACTS

**PIN ASSIGNMENT**



**NOTES:**

- ELECTRICAL TEST:**
  - 100% OPEN SHORT & MISS WIRE TEST
  - CONTACT RESISTANCE: 5 OHM MAX
  - INSULATION RESISTANCE: 10M OHM MIN
  - HI-POT TEST: DC 300V/10ms
- CABLE SHALL BE TESTED FOR CONTINUITY.
- CABLE SHALL BE INDIVIDUALLY PACKAGED.

**REGULATORY COMPLIANCE:**

EU RoHS DIRECTIVE (MOST RECENT RELEASED VERSION)

PART NUMBER	LENGTH	
	FEET	METERS
SU32CC-MM-60W-F1M	3.28	1.0±.03
SU32CC-MM-60W-F3M	9.84	3.0±.03

THE INFORMATION CONTAINED IN THIS DRAWING IS THE SOLE PROPERTY OF INFINITE ELECTRONICS, INC. ANY REPRODUCTION IN PART OR WHOLE WITHOUT THE WRITTEN PERMISSION OF INFINITE ELECTRONICS, INC. IS PROHIBITED. THESE COMMODITIES, TECHNOLOGY OR SOFTWARE WERE EXPORTED FROM THE UNITED STATES IN ACCORDANCE WITH THE EXPORT ADMINISTRATION REGULATIONS. DIVERSION CONTRARY TO U.S. LAW PROHIBITED.

UNLESS OTHERWISE SPECIFIED LEADING DIMENSIONS ARE INCHES DIMENSIONS IN [ ] ARE MILLIMETERS

TOLERANCES:  
 .X = ±.2 [5] | FRACTIONS ± 1/32  
 .XX = ±.02 [0.5] | ANGLES ± 1°  
 .XXX = ±.005 [0.13]

CABLE LENGTH TOLERANCES:  
 ≤12 [305] = +1 [25] / -0  
 >12 [305] ≤ 60 [1524] = +2 [51] / -0  
 >60 [1524] ≤ 120 [3048] = +4 [102] / -0  
 >120 [3048] ≤ 300 [7620] = +6 [152] / -0  
 >300 [7620] = +5% / -0

ALL DIMENSIONS ARE FOR REFERENCE ONLY AND SUBJECT TO CHANGE WITHOUT NOTICE. UN-DIMENSIONED/NON-CRITICAL FEATURES MAY VARY IN SIZE AND LOCATION. COLORS MAY VARY.

**Show Me**  
CABLES

an INFINIT® brand

Website: [www.ShowMeCables.com](http://www.ShowMeCables.com)  
 Phone: 1.888.519.9505

INTERPRET ALL DIMENSIONS AND TOLERANCES PER ASME Y14.5

SCALE	SHEET
NONE	1 OF 1

DESCRIPTION  
**USB 3.2 C/C ALUMINUM, BLACK NYLON BRAID WITH FERRITES-20Gbps, 60W 20V 3A**

SIZE	CAGE CODE	DRAWN BY	ITEM NO.	REV
A	3SVT8	DMAY	SU32CC-MM-60W-F	A

6

5

4

3

2

1