

6

5

4

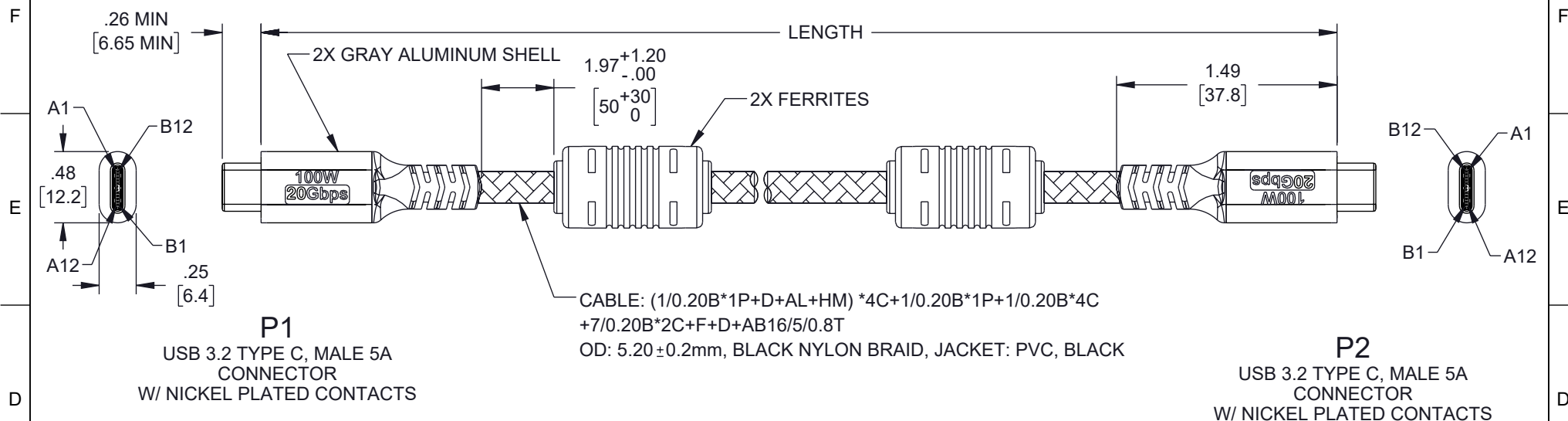
3

2

1

## REVISION

ZONE	REV	DESCRIPTION	DATE	CHANGED BY	APPROVED
	A	INITIAL RELEASE	02/06/2024	DMAY	DGUTTADAURO



P1

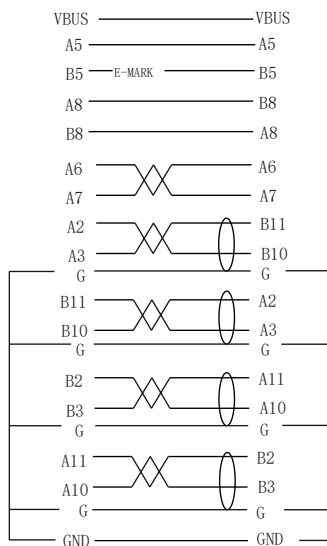
USB 3.2 TYPE C, MALE 5A  
CONNECTOR  
W/ NICKEL PLATED CONTACTS

P2

USB 3.2 TYPE C, MALE 5A  
CONNECTOR  
W/ NICKEL PLATED CONTACTS

## PIN ASSIGNMENT

P1 P2



## NOTES:

- ELECTRICAL TEST:
  - 100% OPEN SHORT & MISS WIRE TEST
  - CONTACT RESISTANCE: 5 OHM MAX
  - INSULATION RESISTANCE: 10M OHM MIN
  - HI-POT TEST: DC 300V/10ms
- CABLE SHALL BE TESTED FOR CONTINUITY.
- CABLE SHALL BE INDIVIDUALLY PACKAGED.

## REGULATORY COMPLIANCE:

EU RoHS DIRECTIVE (MOST RECENT RELEASED VERSION)

PART NUMBER	LENGTH	
	FEET	METERS
SU32CC-MM-100W-F1M	3.28	1.0±.03

THE INFORMATION CONTAINED IN THIS DRAWING IS THE SOLE PROPERTY OF INFINITE ELECTRONICS, INC. ANY REPRODUCTION IN PART OR WHOLE WITHOUT THE WRITTEN PERMISSION OF INFINITE ELECTRONICS, INC. IS PROHIBITED. THESE COMMODITIES, TECHNOLOGY OR SOFTWARE WERE EXPORTED FROM THE UNITED STATES IN ACCORDANCE WITH THE EXPORT ADMINISTRATION REGULATIONS. DIVERSION CONTRARY TO U.S. LAW PROHIBITED.

UNLESS OTHERWISE SPECIFIED  
LEADING DIMENSIONS ARE INCHES  
DIMENSIONS IN [ ] ARE MILLIMETERS

TOLERANCES:  
 X = ±.2 [5]      FRACTIONS  
 .XX = ±.02 [0.5]      ± 1/32  
 .XXX = ±.005 [0.13]      ANGLES ± 1°

CABLE LENGTH TOLERANCES:  
 ≤12 [305] = +1 [25] / -0  
 >12 [305] ≤ 60 [1524] = +2 [51] / -0  
 >60 [1524] ≤ 120 [3048] = +4 [102] / -0  
 >120 [3048] ≤ 300 [7620] = +6 [152] / -0  
 >300 [7620] = +5% / -0

ALL DIMENSIONS ARE FOR REFERENCE ONLY  
AND SUBJECT TO CHANGE WITHOUT NOTICE.  
UN-DIMENSIONED/NON-CRITICAL FEATURES  
MAY VARY IN SIZE AND LOCATION  
COLORS MAY VARY

**Show Me™**  
**CABLES**

an INFINIT® brand

Website: [www.ShowMeCables.com](http://www.ShowMeCables.com)  
Phone: 1.888.519.9505



INTERPRET ALL DIMENSIONS AND  
TOLERANCES PER ASME Y14.5

SCALE SHEET

NONE 1 OF 1

## DESCRIPTION

USB 3.2 C/C ALUMINUM, BLACK NYLON BRAID WITH FERRITES-  
20Gbps, 100W 20V 5A, 1M

SIZE	CAGE CODE	DRAWN BY	ITEM NO.	REV
A	3SVT8	DMAY	SU32CC-MM-100W-F1M	A

6

5

4

3

2

1