

6

5

4

3

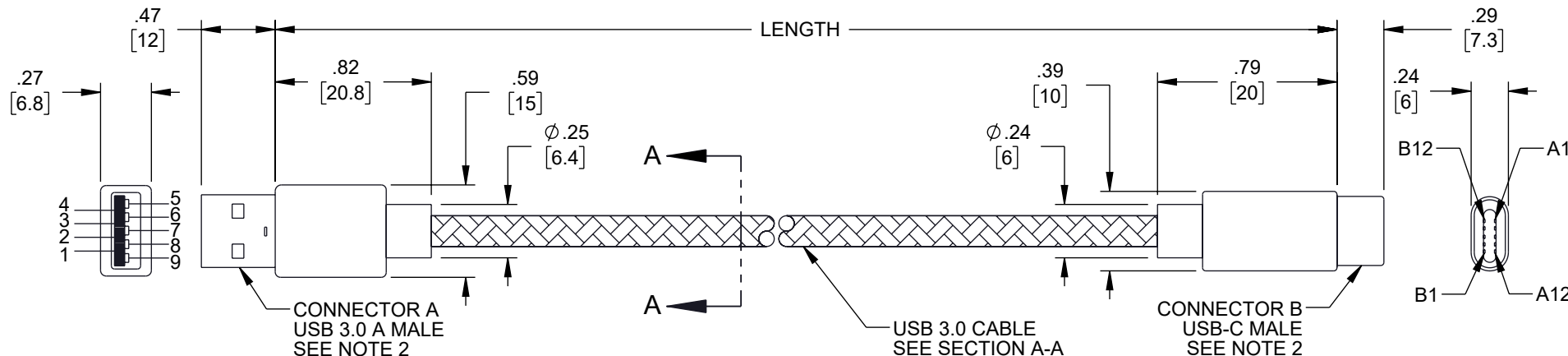
2

1

REVISION					
ZONE	REV	DESCRIPTION	DATE	CHANGED BY	APPROVED
	A	INITIAL RELEASE	01/29/2024	AKRESOWSKI	GUTTADAURO

F

F



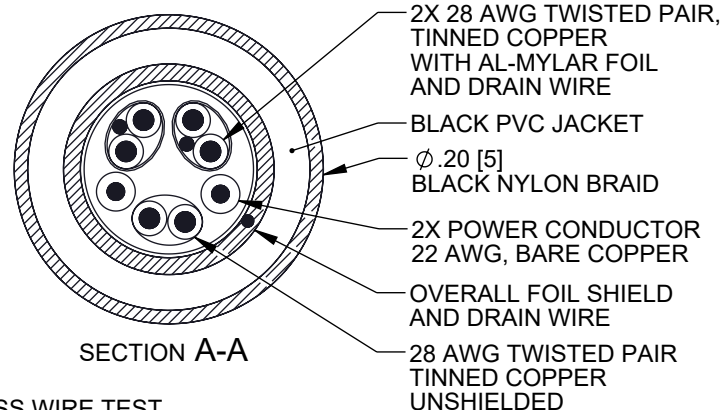
E

E

D

D

WIRING MAP	
CONNECTOR A	CONNECTOR B
1	V
2	A7
3	A6
4	G
5	A2
6	A3
7	GND
8	B11
9	B10



TABULATION BLOCK SEE NOTE 3		
ITEM NO.	LENGTH ±1.2 [30]	QTY PER KIT
SU3-AC-3PK	3 FT	1
	6 FT	1
	10 FT	1

C

C

## NOTES:

- ELECTRICAL TEST: 100% OPEN SHORT MISS WIRE TEST  
CONTACT RESISTANCE: 2 Ohm MAX  
INSULATION RESISTANCE: 5 MΩ MIN  
HI-POT TEST: DC 300V/10 ms  
PASS 480 Mbps/5V 3A TEST
- MATERIAL:  
CONNECTOR A: NICKEL PLATING, BLUE PLASTIC  
BLACK ALUMINUM ALLOY HOUSING  
BOOT MATERIAL: LDPE, 45P BLACK PVC  
CONNECTOR B: NICKEL PLATING  
BLACK ALUMINUM ALLOY HOUSING,  
BOOT MATERIAL: 45P BLACK PVC
- CABLES SHALL BE INDIVIDUALLY PACKAGED IN A SEALED POLYETHYLENE BAG. ONE BAGGED CABLE OF EACH LENGTH SHOWN IN TABULATION BLOCK SHALL BE PLACED IN A LARGER POLYETHYLENE BAG AND SEALED. A LABEL SHOWING THE KIT ITEM NUMBER, ITEM REVISION, AND ITEM DESCRIPTION SHALL BE APPLIED TO THE BAG.

THE INFORMATION CONTAINED IN THIS DRAWING IS THE SOLE PROPERTY OF INFINITE ELECTRONICS, INC. ANY REPRODUCTION IN PART OR WHOLE WITHOUT THE WRITTEN PERMISSION OF INFINITE ELECTRONICS, INC. IS PROHIBITED. THESE COMMODITIES, TECHNOLOGY OR SOFTWARE WERE EXPORTED FROM THE UNITED STATES IN ACCORDANCE WITH THE EXPORT ADMINISTRATION REGULATIONS. DIVERSION CONTRARY TO U.S. LAW PROHIBITED.

UNLESS OTHERWISE SPECIFIED LEADING DIMENSIONS ARE INCHES DIMENSIONS IN [ ] ARE MILLIMETERS	
TOLERANCES:	
.X = ±.2 [5]	FRACTIONS ± 1/32
.XX = ±.02 [0.5]	ANGLES ± 1°
.XXX = ±.005 [0.13]	
CABLE LENGTH TOLERANCES:	
≤12 [305] = +1 [25] / -0	
>12 [305] ≤ 60 [1524] = +2 [51] / -0	
>60 [1524] ≤ 120 [3048] = +4 [102] / -0	
>120 [3048] ≤ 300 [7620] = +8 [152] / -0	
>300 [7620] = +8% / -0	
ALL DIMENSIONS ARE FOR REFERENCE ONLY AND SUBJECT TO CHANGE WITHOUT NOTICE UN-DIMENSIONED/NON-CRITICAL FEATURES MAY VARY IN SIZE AND LOCATION COLORS MAY VARY	

**Show Me**  
CABLES

an INFINIT® brand

Website: [www.ShowMeCables.com](http://www.ShowMeCables.com)  
Phone: 1.888.519.9505



INTERPRET ALL DIMENSIONS AND TOLERANCES PER ASME Y14.5

SCALE	SHEET
NONE	1 OF 1

DESCRIPTION				
CABLE KIT, USB 3.0, USB-A MALE TO USB-C MALE, 3FT/6FT/10FT				
SIZE	CAGE CODE	DRAWN BY	ITEM NO.	REV
A	3SVT8	AKRESOWSKI	SU3-AC-3PK	A

A

A

6

5

4

3

2

1