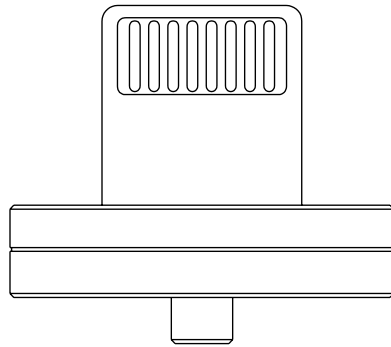
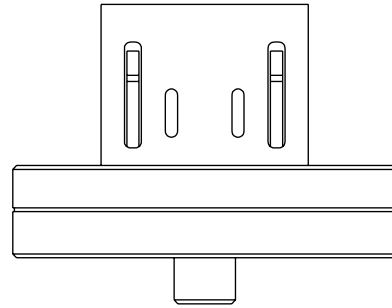


THE INFORMATION CONTAINED IN THIS DRAWING IS THE SOLE PROPERTY OF SHOW ME CABLES, INC. ANY REPRODUCTION IN PART OR WHOLE WITHOUT THE WRITTEN PERMISSION OF SHOW ME CABLES, INC. IS PROHIBITED.

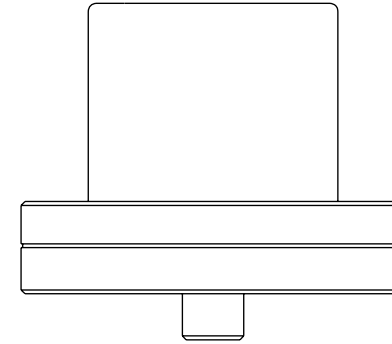
REVISIONS			
REV	DESCRIPTION	DATE	APPROVED
A	INITIAL RELEASE	01/24/2023	GUTTADAURO



LIGHTNING CONNECTOR



USB 2.0
MICRO B5 MALE
CONNECTOR



USB 2.0
TYPE C MALE
CONNECTOR

NOTES:

1. ADAPTERS SHALL PACKAGED AS A 3 PIECE KIT.

UNLESS OTHERWISE SPECIFIED,
DIMENSIONS ARE IN INCHES [mm]

OVERALL CABLE LENGTH TOLERANCE:
 ≤ 12 [305] = +1 [25] / -0
 > 12 [305] ≤ 60 [1524] = +2 [51] / -0
 > 60 [1524] ≤ 120 [3048] = +4 [102] / -0
 > 120 [3048] ≤ 300 [7620] = +6 [152] / -0
 > 300 [7620] = +5% / -0

ALL OTHER DIMENSIONAL TOLERANCES:
.X = $\pm .2$ [5] | FRACTIONS $\pm 1/32$
.XX = $\pm .02$ [.5] | ANGLES $\pm 1^\circ$
.XXX = $\pm .005$ [.13]

THIRD-ANGLE PROJECTION

APPROVALS	DATE
DRAWN BY DFRISIELLO	01/24/2023
CHECKED BY RCARLESCO	01/24/2023
APPROVED BY GUTTADAURO	01/24/2023
CONFIGURATION DETAILS OF UNDIMENSIONED FEATURES MAY VARY	
COLOR VARIATIONS MAY OCCUR	

		115 Chesterfield Industrial Blvd., Chesterfield, MO 63005 Phone: 1.888.519.9505 Fax: 1.888.519.9515	
CATEGORY USB			
PRODUCT DESCRIPTION 540°Rotating Magnetic Tip Kit, 3in1			
SIZE A	CAGE CODE 3SVT8	ITEM NO. SU2A-3IN1MAG-KIT	REV. A
SCALE: NONE		CAD FILE: SU2A-3IN1MAG-KIT.SLDDRW	SHEET 1 OF 1