

AC Surge Protector SPD SP PLUS Brick 347/600 Vac 3-Phase Wye MOV 50 kA, UL 1449 4th Ed. Type 1 and Type 2, RoHS

SP50RS-6003Y

SP50RS Series



Features

- UL1449 4th Ed. Type 1/Type 2
- High Capacity MOV Protection
- Suppression Status LEDs
- Remote Suppression Status Contacts
- Wall Mount, Conduit Hub or Bracket Mount
- No External Backup Fuses Required

Applications

- Electrical Panelboards
- Industrial Automation
- Communications Base Stations
- IT & Data Centers
- Switchgear
- Motor Control Centers
- Automatic Transfer Switches
- Wastewater Treatment
- Oil & Gas
- LED Lighting
- Schools
- Hospitals

Description

AC surge protector (also known as SPD or lightning protector) SP50RS-6003Y from Transtector is a UL1449 4th Ed. Type 1/Type 2 brick style SPD that utilizes state of the art MOV technology to protect critical equipment that operates on a 347/600 Vac 3-Phase Wye electrical service. This surge protector provides effective protection against electrical transient surges that are generated both by external lightning events and by internal switching events and supports long-term system reliability by safely shunting high amounts of transient energy while maintaining a very low clamping voltage. Transtector AC surge protectors are available in stock with same day shipping.

Electrical Specifications

Description	Minimum	Typical	Maximum	Units
Service Voltages		347/600		Vac
Service Type		Three-Phase Wye		
Frequency	50		60	Hz
Maximum Continuous Operating Voltage (MCOV)				
L - L			840	Vac
L - N			420	Vac
L - G			690	Vac
Remote Status Indicators		Form C Contacts		

Surge Protection Specification

Description	Minimum	Typical	Maximum	Units
-------------	---------	---------	---------	-------

Click the following link (or enter part number in "SEARCH" on website) to obtain additional part information including price, inventory and certifications:
[AC Surge Protector SPD SP PLUS Brick 347/600 Vac 3-Phase Wye MOV 50 kA, UL 1449 4th Ed. Type 1 and Type 2, RoHS SP50RS-6003Y](#)

AC Surge Protector SPD SP PLUS Brick 347/600 Vac 3-Phase
 Wye MOV 50 kA, UL 1449 4th Ed. Type 1 and Type 2, RoHS



SP50RS-6003Y

SP50RS Series

Surge Protection Technology	MOV		
Protection Modes	L-N, L-L, L-G		
8/20 μ s Surge Current		50	kA
Nominal Discharge Current Rating (In)	20		kA
VPR 8/20 μ s			
L - L		2,500	Vpk
L - N		1,500	Vpk
L - G		2,500	Vpk
Response Time		25	ns
SCCR (Short Circuit Current Rating)	200		kAIC

Mechanical Specifications

Size

Height	3.35 in	[85.09 mm]
Width	3.35 in	[85.09 mm]
Depth	3.25 in	[82.55 mm]
Weight	1 lbs	[453.59 g]
Housing Material and Plating	Polycarbonate	

Environmental Specifications

Temperature Range (Operational)	-40 to +85 deg C
Temperature Range (Storage)	-40 to +85 deg C
Environmental Protection Rating	NEMA 4X
Humidity	95% non-condensing

Installation

Mount Type	3/4"-14 Hub or Bracket Mount
Service Wiring Terminal	Wire Leads 3 foot length to #10 AWG
Status Indication Terminal	Wire Leads 3 foot length to #18 AWG

Compliance Certifications

UL Compliant Certifications	Yes
	UL 1449 4th Ed. Type 1 and Type 2
	UL 96A
	cUL

Click the following link (or enter part number in "SEARCH" on website) to obtain additional part information including price, inventory and certifications:
[AC Surge Protector SPD SP PLUS Brick 347/600 Vac 3-Phase Wye MOV 50 kA, UL 1449 4th Ed. Type 1 and Type 2, RoHS SP50RS-6003Y](#)

AC Surge Protector SPD SP PLUS Brick 347/600 Vac 3-Phase
Wye MOV 50 kA, UL 1449 4th Ed. Type 1 and Type 2, RoHS

SP50RS-6003Y
SP50RS Series



Transtector Systems specializes in protection of highly sensitive, low voltage equipment through its patented, non-degrading silicon diode technology and custom filters. Our power quality expertise translates into a diverse product offering including AC, DC, and signal applications as well as integrated cabinets, power distribution panels and EMP hardened devices.

Click the following link (or enter part number in "SEARCH" on website) to obtain additional part information including price, inventory and certifications: [AC Surge Protector SPD SP PLUS Brick 347/600 Vac 3-Phase Wye MOV 50 kA, UL 1449 4th Ed. Type 1 and Type 2, RoHS SP50RS-6003Y](#)

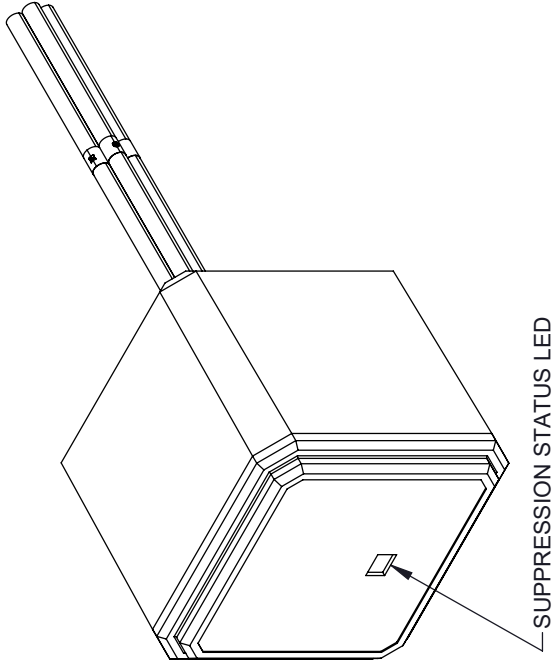
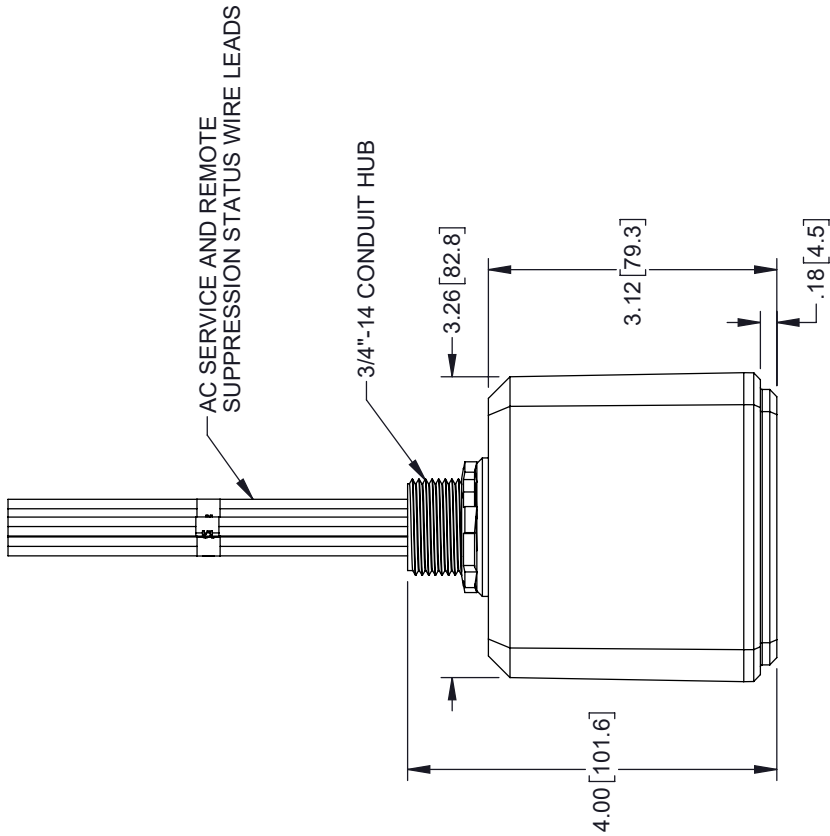
URL: <https://www.transtector.com/ac-surge-protector-spd-sp-plus-brick-sp50rs-6003y-p.aspx>

The information contained in this document is accurate to the best of our knowledge and representative of the part described herein. It may be necessary to make modifications to the part and/or the documentation of the part, in order to implement improvements. Transtector reserves the right to make such changes as required. Unless otherwise stated, all specifications are nominal. Transtector does not make any representation or warranty regarding the suitability of the part described herein for any particular purpose, and Transtector does not assume any liability arising out of the use of any part or documentation.

AC Surge Protector SPD SP PLUS Brick 347/600 Vac 3-Phase Wye
MOV 50 kA, UL 1449 4th Ed. Type 1 and Type 2, RoHS

SP50RS-6003Y CAD Drawing

REVISIONS		
REV.	DESCRIPTION	DATE
A	INITIAL RELEASE	3/1/21
		APPROVED
		DWR



NOTES:
1. MOUNTING BRACKET ACCESSORY PART NUMBER IS SP50RS-BRKT.

UNLESS OTHERWISE SPECIFIED LEADING DIMENSIONS ARE INCHES DIMENSIONS IN [] ARE MILLIMETERS

TOLERANCES:

.X ±.2	[5.08]	FRACTIONS
.XX ±.02	[.51]	± 1/32
.XXX ±.005	[.13]	ANGLES ±1°

CABLE LENGTH (L) TOLERANCES:

L ≤ 12 [305]	±.1 [25]	/-0
12 [305] < L ≤ 60 [1524]	±.2 [51]	/-0
60 [1524] < L ≤ 120 [3048]	±.4 [102]	/-0
120 [3048] < L ≤ 300 [7620]	±.6 [152]	/-0
300 [7620] < L	±.5%L	/-0

ALL DIMENSIONS SHOWN ARE FOR REFERENCE ONLY.

THIRD-ANGLE PROJECTION

THE INFORMATION AND DESIGN IN THIS DOCUMENT IS THE PROPERTY OF TRANSTECTOR, INC. ALL RIGHTS RESERVED.

SHEET 1 OF 1

SCALE 1:2

TRANSTECTOR
an INFINIT[®] brand

10701 Airport Road, Hayden, ID 83835
Phone: 1.208.635.6400 | 1.800.882.9110
Fax: 1.208.955.2041
Website: www.transvector.com
E-mail: sales@transvector.com

SIZE	CAGE CODE	DRAWN BY	ITEM NO.	REV
A	30992	DPM	SP50RS-6003Y	A

THESE COMMODITIES, TECHNOLOGY OR SOFTWARE WERE EXPORTED FROM THE UNITED STATES IN ACCORDANCE WITH THE EXPORT ADMINISTRATION REGULATIONS. DIVERSION CONTRARY TO U.S. LAW PROHIBITED.

T-Rev D