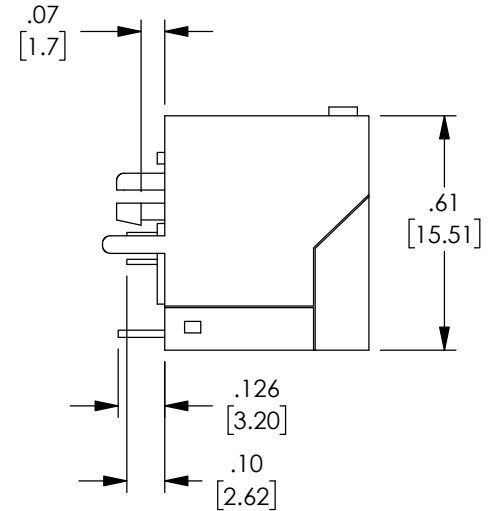
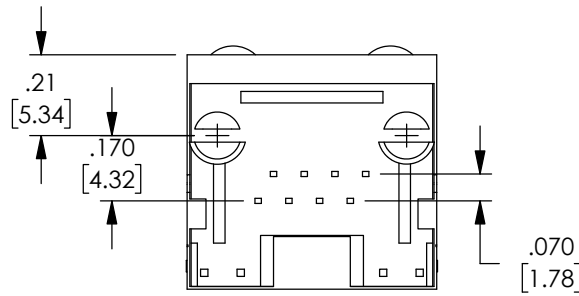
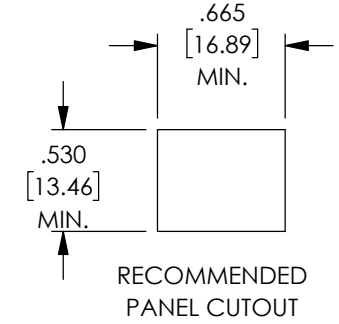
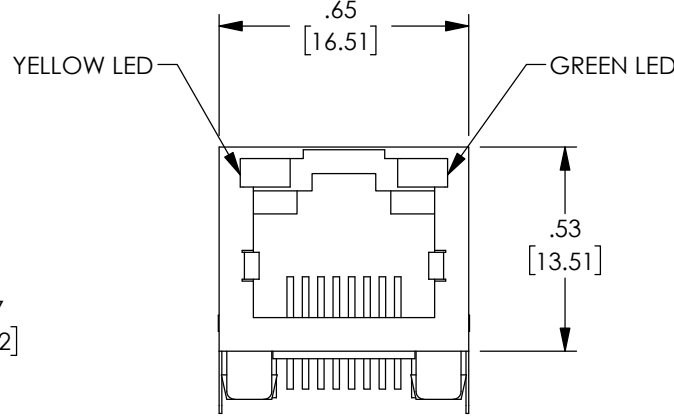
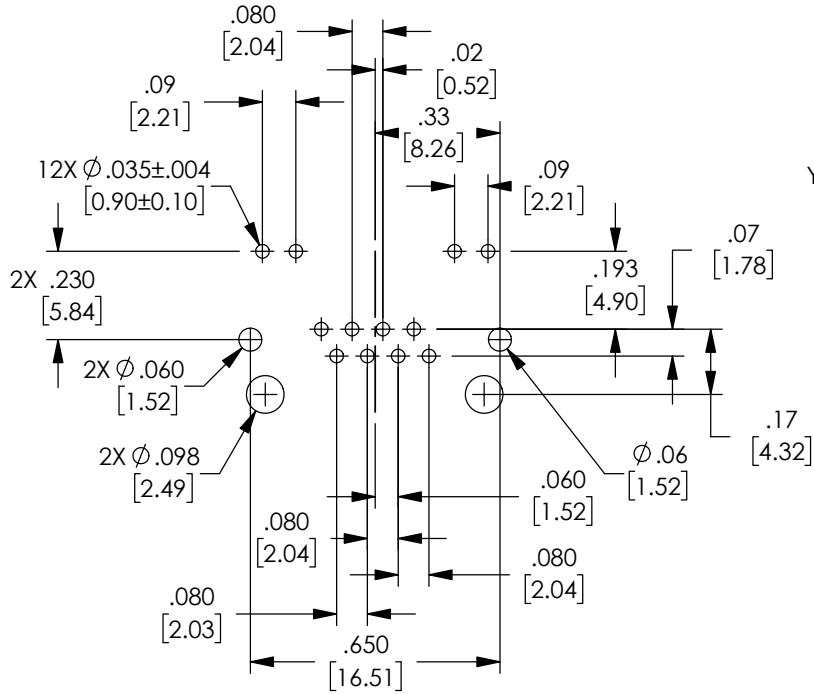


THE INFORMATION CONTAINED IN THIS DRAWING IS THE SOLE PROPERTY OF SHOW ME CABLES, INC. ANY REPRODUCTION IN PART OR WHOLE WITHOUT THE WRITTEN PERMISSION OF SHOW ME CABLES, INC. IS PROHIBITED.


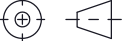
REVISIONS			
REV	DESCRIPTION	DATE	APPROVED
A	INITIAL RELEASE	04/19/2021	GUTTA DAURO



SPECIFICATIONS:

- PLASTIC HOUSING: ENGINEERING THERMOPLASTIC, UL94V-0
- INNER CONTACTS: PHOSPHOR BRONZE, GOLD OVER NICKEL PLATING.
- OUTER CONTACTS: PHOSPHOR BRONZE, TIN PLATING OVER NICKEL PLATING (SOLDER AREA)
- SHIELDING: BRASS PLATING NICKEL ALLOY
- ELECTRICAL:
 - VOLTAGE RATING: 125 Vac rMS
 - CURRENT RATING: 1.5 AMP
 - CONTACT RESISTANCE: 40 MILLIOHMS MAX.
 - INSULATION RESISTANCE: 1000 MEGOHMS MIN 500 Vdc
 - DIELECTRIC STRENGTH: 1000 Vac rMS 60HZ, 1 MINUTE
- MECHANICAL:
 - MATING: 750 CYCLES MIN.
 - STORAGE TEMPERATURE: -40 °C TO +85 °C
 - OPERATING TEMPERATURE: -20 °C TO +75 °C

- NOTES:**
- ALL DIMENSIONS ARE FOR REFERENCE ONLY.
 - COMPONENT SHALL BE INDIVIDUALLY PACKAGED.

UNLESS OTHERWISE SPECIFIED, DIMENSIONS ARE IN INCHES [mm] OVERALL CABLE LENGTH TOLERANCE: ≤12 [305] = +1 [25] / -0 >12 [305] ≤60 [1524] = +2 [51] / -0 >60 [1524] ≤120 [3048] = +4 [102] / -0 >120 [3048] ≤300 [7620] = +6 [152] / -0 >300 [7620] = +5% / -0 ALL OTHER DIMENSIONAL TOLERANCES: .X = ±.2 [5] FRACTIONS ± 1/32 .XX = ±.02 [5] ANGLES ± 1° .XXX = ±.005 [13]	APPROVALS DRAWN BY: BPUCHASKI CHECKED BY: DFRISIELLO APPROVED BY: GUTTA DAURO	DATE 04/19/2021	 115 Chesterfield Industrial Blvd., Chesterfield, MO 63005 Phone: 1.888.519.9505 Fax: 1.888.519.9515	CATEGORY TELECOM MODULAR	PRODUCT DESCRIPTION RJ45 Surface Mount Jack Shielded 90°, LED, Silver	SIZE A	CAGE CODE 3SVT8	ITEM NO. SMJS90-LED	REV. A
	THIRD-ANGLE PROJECTION 	CONFIGURATION DETAILS OF UNDIMENSIONED FEATURES MAY VARY							