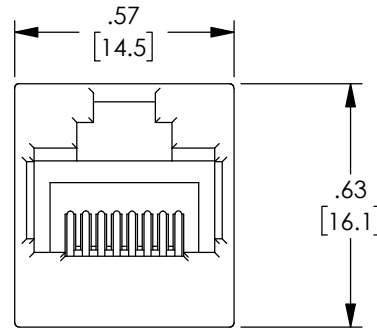
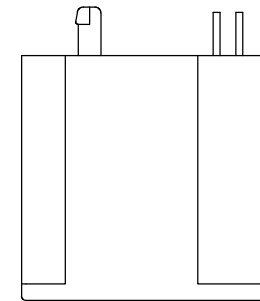
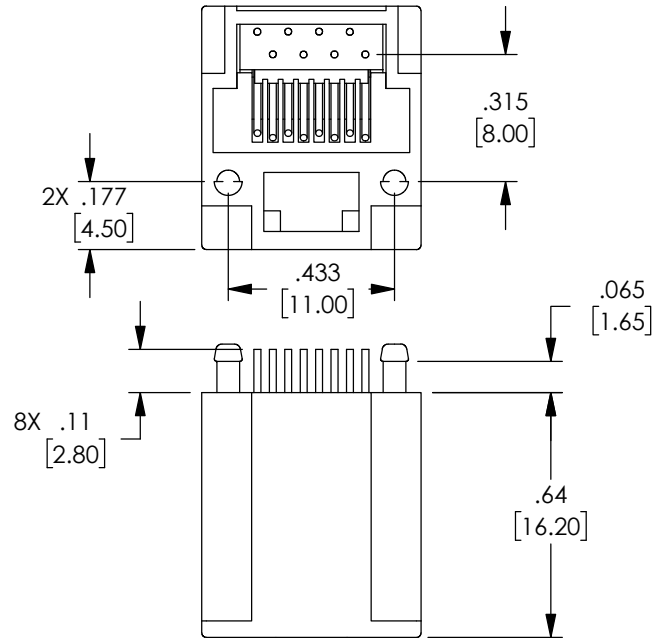
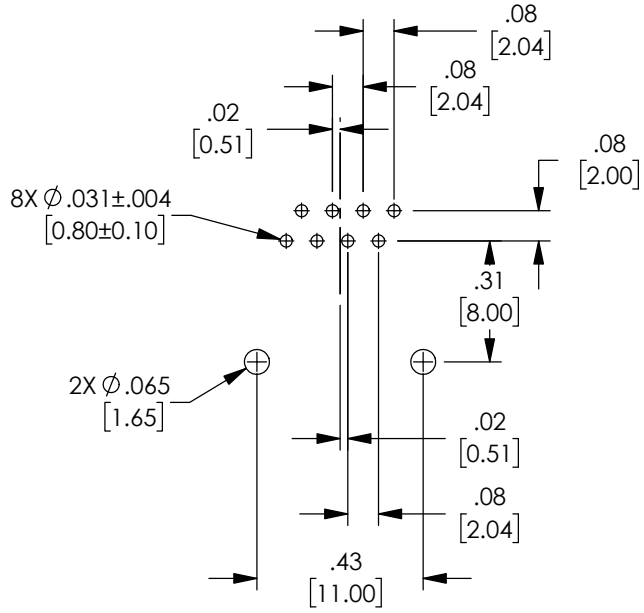


THE INFORMATION CONTAINED IN THIS DRAWING IS THE SOLE PROPERTY OF SHOW ME CABLES, INC. ANY REPRODUCTION IN PART OR WHOLE WITHOUT THE WRITTEN PERMISSION OF SHOW ME CABLES, INC. IS PROHIBITED.

REVISIONS			
REV	DESCRIPTION	DATE	APPROVED
A	INITIAL RELEASE	04/16/2021	GUITADAURO


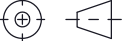


SPECIFICATIONS:

HOUSING: GLASS FILLED PBT, UL 94V-0, BLACK
 CONTACTS: Ø0.46mm [.018"] PHOSPHOR BRONZE,
 15 µ INCHES GOLD OVER NICKEL PLATING.

NOTES:

1. RATED FOR CATEGORY 5E APPLICATIONS.
2. ALL DIMENSIONS ARE FOR REFERENCE ONLY.
3. COMPONENT SHALL BE INDIVIDUALLY PACKAGED.

UNLESS OTHERWISE SPECIFIED, DIMENSIONS ARE IN INCHES [mm] OVERALL CABLE LENGTH TOLERANCE: ≤12 [305] = +1 [25] / -0 >12 [305] ≤60 [1524] = +2 [51] / -0 >60 [1524] ≤120 [3048] = +4 [102] / -0 >120 [3048] ≤300 [7620] = +6 [152] / -0 >300 [7620] = +5% / -0 ALL OTHER DIMENSIONAL TOLERANCES: .X = ±.2 [5] FRACTIONS ± 1/32 .XX = ±.02 [.5] ANGLES ±1° .XXX = ±.005 [.13]	APPROVALS	DATE	 115 Chesterfield Industrial Blvd., Chesterfield, MO 63005 Phone: 1.888.519.9505 Fax: 1.888.519.9515
	DRAWN BY BPUCHASKI	04/16/2021	
APPROVED BY GUITADAURO	12/30/2019	CATEGORY TELECOM MODULAR	
THIRD-ANGLE PROJECTION 	CONFIGURATION DETAILS OF UNDIMENSIONED FEATURES MAY VARY	PRODUCT DESCRIPTION C5e Surface Mount Jack PCB 180°, 15um Black	
COLOR VARIATIONS MAY OCCUR	SIZE A	CAGE CODE 3SVT8	ITEM NO. SMJ1805E
SCALE: NONE		CAD FILE: SMJ1805E.SLDDRW	
SHEET 1 OF 1			REV. A