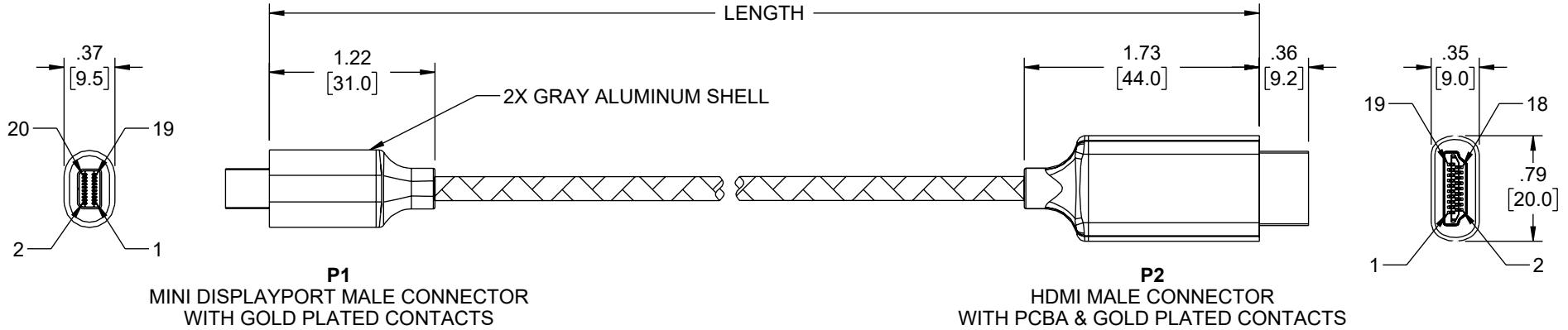


THE INFORMATION CONTAINED IN THIS DRAWING IS THE SOLE PROPERTY OF SHOW ME CABLES, INC. ANY REPRODUCTION IN PART OR WHOLE WITHOUT THE WRITTEN PERMISSION OF SHOW ME CABLES, INC. IS PROHIBITED.

REVISION					
ZONE	REV	DESCRIPTION	DATE	CHANGED BY	APPROVED
	A	INITIAL RELEASE	06/20/2023	HBAKKE	GUTTADAURO

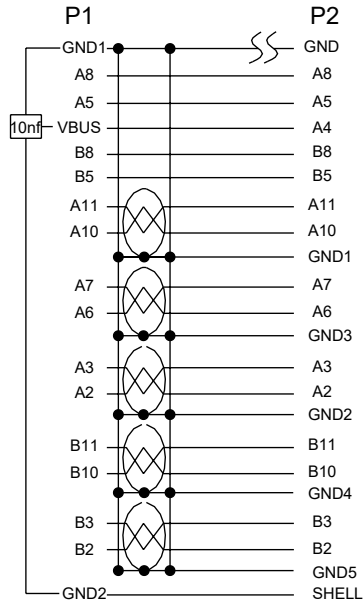


NOTES:

- CABLE: (7/0.08T*1P+1C+AL+MY)*5C+7/0.08T*5C+ADB
OD: 5.5mm, BLACK NYLON BRAID, JACKET: PVC, BLACK
- ELECTRICAL TEST:
 - 100% OPEN SHORT & MISS WIRE TEST
 - CONTACT RESISTANCE: 5 OHM MAX
 - INSULATION RESISTANCE: 10M OHM MIN
 - HI-POT TEST: DC 300V/10ms
- CABLE SHALL BE TESTED FOR CONTINUITY.
- CABLE SHALL BE INDIVIDUALLY PACKAGED.

PART NUMBER	LENGTH	
	FEET	METERS
SMDPHDMI4K-MM-1M	3.28	1.0
SMDPHDMI4K-MM-3M	9.84	3.0

Pin Assignments:



REGULATORY COMPLIANCE:

EU RoHS DIRECTIVE (MOST RECENT RELEASED VERSION)

UNLESS OTHERWISE SPECIFIED, DIMENSIONS ARE IN INCHES [mm]		APPROVALS	DATE	 115 Chesterfield Industrial Blvd., Chesterfield, MO 63005 Phone: 1.888.519.9505 Fax: 1.888.519.9515
OVERALL CABLE LENGTH TOLERANCE: ≤12 [305] = +1 [25] / -0 >12 [305] ≤60 [1524] = +2 [51] / -0 >60 [1524] ≤120 [3048] = +4 [102] / -0 >120 [3048] ≤300 [7620] = +6 [152] / -0 >300 [7620] = +5% / -0		DRAWN BY HBAKKE	06/20/2023	
ALL OTHER DIMENSIONAL TOLERANCES: .X = ± .2 [5] FRACTIONS ± 1/32 .XX = ± .02 [5] ANGLES ± 1° .XXX = ± .005 [13]		CHECKED BY DMAY	06/20/2023	
THIRD-ANGLE PROJECTION 		APPROVED BY RCARLESCO	06/20/2023	
CONFIGURATION DETAILS OF UNDIMENSIONED FEATURES MAY VARY		CATEGORY AUDIO/VIDEO		
COLOR VARIATIONS MAY OCCUR		PRODUCT DESCRIPTION MDP to HDMI, M/M, Alum Shell, 4K @ 60 Hz, Black Nylon Braid		
SIZE A	CAGE CODE 3SVT8	ITEM NO. SMDPHDMI4K-MM		
SCALE: NONE		CAD FILE: SMDPHDMI4K-MM.SLDDRW		
		SHEET 1 OF 1		