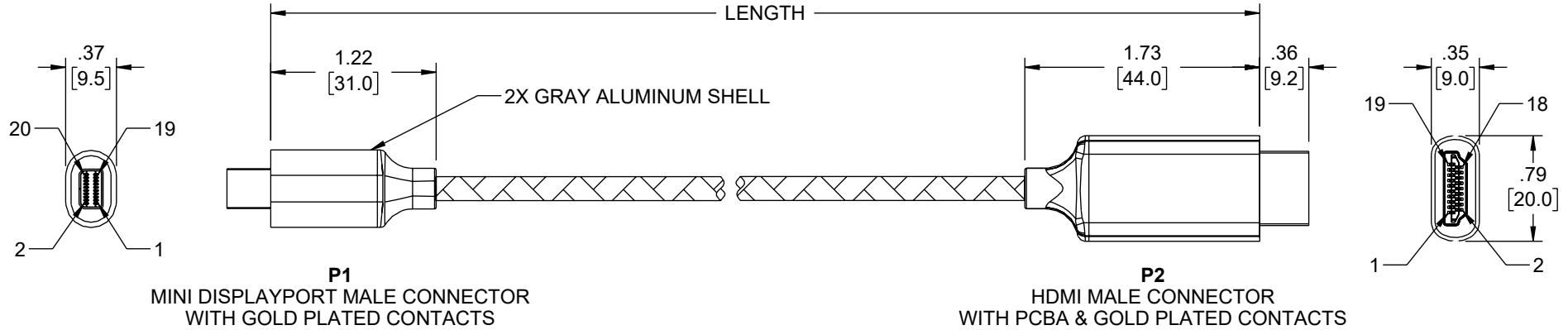


THE INFORMATION CONTAINED IN THIS DRAWING IS THE SOLE PROPERTY OF SHOW ME CABLES, INC. ANY REPRODUCTION IN PART OR WHOLE WITHOUT THE WRITTEN PERMISSION OF SHOW ME CABLES, INC. IS PROHIBITED.

REVISION					
ZONE	REV	DESCRIPTION	DATE	CHANGED BY	APPROVED
	A	INITIAL RELEASE	06/21/2023	HBAKKE	GUTTADAURO

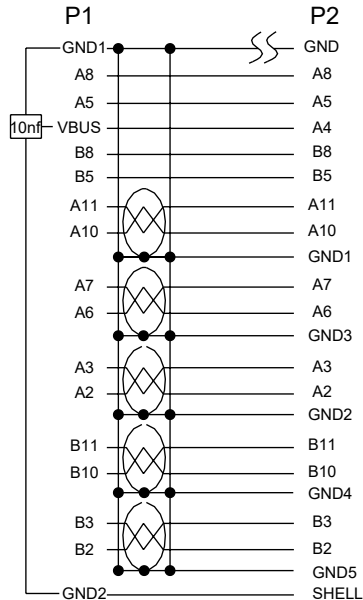


NOTES:

- CABLE: (7/0.08T*1P+1C+AL+MY)*5C+7/0.08T*5C+ADB
OD: 5.5mm, BLACK NYLON BRAID, JACKET: BLACK TPE (LSZH)
- ELECTRICAL TEST:
 - 100% OPEN SHORT & MISS WIRE TEST
 - CONTACT RESISTANCE: 5 OHM MAX
 - INSULATION RESISTANCE: 10M OHM MIN
 - HI-POT TEST: DC 300V/10ms
- CABLE SHALL BE TESTED FOR CONTINUITY.
- CABLE SHALL BE INDIVIDUALLY PACKAGED.

PART NUMBER	LENGTH	
	FEET	METERS
SMDPHDMI-LSZH4KMM-1M	3.28	1.0
SMDPHDMI-LSZH4KMM-3M	9.84	3.0

Pin Assignments:



REGULATORY COMPLIANCE:

EU RoHS DIRECTIVE (MOST RECENT RELEASED VERSION)

UNLESS OTHERWISE SPECIFIED, DIMENSIONS ARE IN INCHES [mm] OVERALL CABLE LENGTH TOLERANCE: ≤12 [305] = +1 [25] / -0 >12 [305] ≤60 [1524] = +2 [51] / -0 >60 [1524] ≤120 [3048] = +4 [102] / -0 >120 [3048] ≤300 [7620] = +6 [152] / -0 >300 [7620] = +5% / -0 ALL OTHER DIMENSIONAL TOLERANCES: .X = ± .2 [5] FRACTIONS ± 1/32 .XX = ± .02 [.5] ANGLES ± 1° .XXX = ± .005 [0.13]	APPROVALS	DATE	Show Me CABLES an INFINIT® brand 115 Chesterfield Industrial Blvd., Chesterfield, MO 63005 Phone: 1.888.519.9505 Fax: 1.888.519.9515
	DRAWN BY HBAKKE CHECKED BY DMAY APPROVED BY RCARLESCO	06/21/2023	
THIRD-ANGLE PROJECTION 	CONFIGURATION DETAILS OF UNDIMENSIONED FEATURES MAY VARY COLOR VARIATIONS MAY OCCUR	CATEGORY AUDIO/VIDEO PRODUCT DESCRIPTION MDP to HDMI, M/M, LSZH, Alum Shell, 4K @ 60 Hz, Black Nylon Braid	SCALE: NONE CAD FILE: SMDPHDMI-LSZH4KMM.SLDDRW SHEET 1 OF 1
	SIZE A	CAGE CODE 3SVT8	ITEM NO. SMDPHDMI-LSZH4KMM