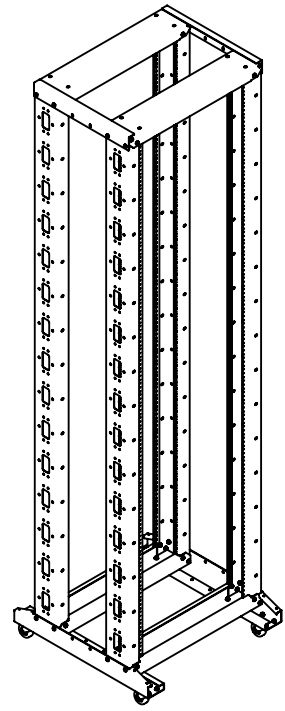
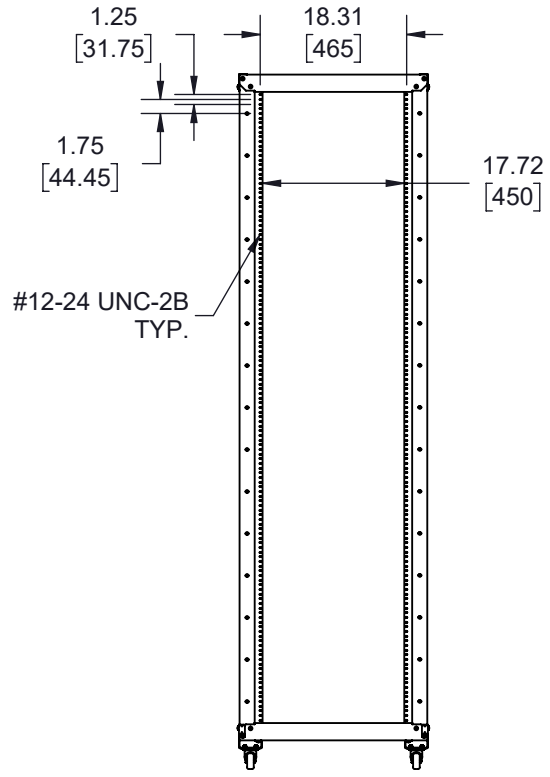
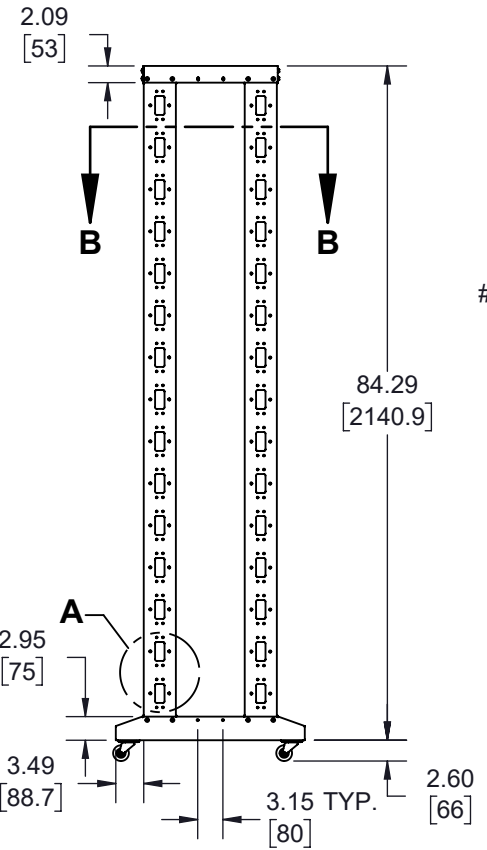


| REVISIONS | | | |
|-----------|-----------------|--------|----------|
| REV. | DESCRIPTION | DATE | APPROVED |
| A | INITIAL RELEASE | 3/2/22 | WDIBELLA |



- NOTES:
1. MAXIMUM MOUNTING DEPTH: 15.77" [400.6mm]
 2. MINIMUM MOUNTING DEPTH: 9.46" [240.3mm]
 3. MOUNTING DEPTH ADJUSTABLE IN 3.15" [80mm] INCREMENTS.

THESE COMMODITIES, TECHNOLOGY OR SOFTWARE WERE EXPORTED FROM THE UNITED STATES IN ACCORDANCE WITH THE EXPORT ADMINISTRATION REGULATIONS. DIVERSION CONTRARY TO U.S. LAW PROHIBITED.

UNLESS OTHERWISE SPECIFIED LEADING DIMENSIONS ARE INCHES DIMENSIONS IN [] ARE MILLIMETERS

TOLERANCES:

| | |
|---------------------|-------------|
| X = ± 2 [5.08] | FRACTIONS |
| .XX = ± 0.02 [.51] | ± 1/32 |
| XXX = ± 0.005 [.13] | ANGLES ± 1° |

CABLE LENGTH (L) TOLERANCES:

| |
|---|
| L ≤ 12 [305] = +1 [25] / -0 |
| 12 [305] < L ≤ 60 [1524] = +2 [51] / -0 |
| 60 [1524] < L ≤ 120 [3048] = +4 [102] / -0 |
| 120 [3048] < L ≤ 300 [7620] = +6 [152] / -0 |
| 300 [7620] < L = +5%L / -0 |

ALL DIMENSIONS SHOWN ARE FOR REFERENCE ONLY.

Show Me
CABLES

an INFINIT® brand
115 Chesterfield Industrial Blvd.,
Chesterfield, MO 63005

Phone: 1.888.519.9505 | Fax: 1.888.519.9515
Website: www.ShowMeCables.com
E-mail: CustomerService@ShowMeCables.com

| | | | | |
|------|-----------|----------|------------------|-----|
| SIZE | CAGE CODE | DRAWN BY | ITEM NO. | REV |
| A | 3SVT8 | HBAKKE | SMCRB6645(12-24) | A |

THIRD-ANGLE PROJECTION

THE INFORMATION AND DESIGN IN THIS DOCUMENT IS THE PROPERTY OF SHOWMECABLES, INC. ALL RIGHTS RESERVED.

| | | | |
|-------|-----|----|---|
| SHEET | 1 | OF | 1 |
| SCALE | N/A | | |