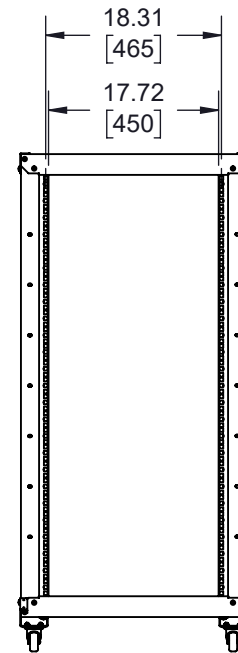
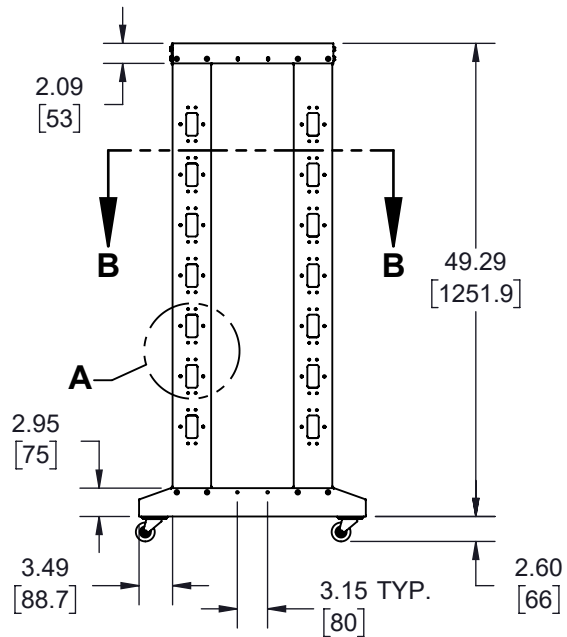
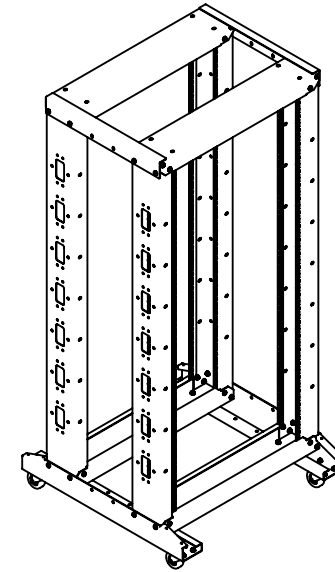
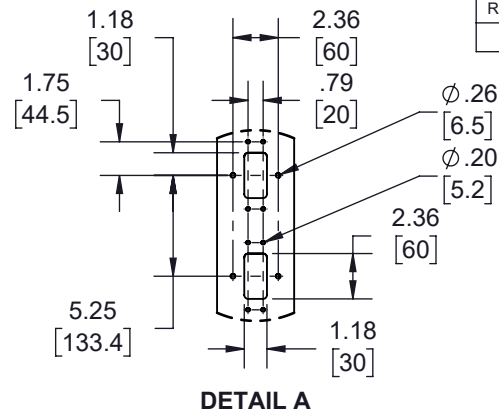
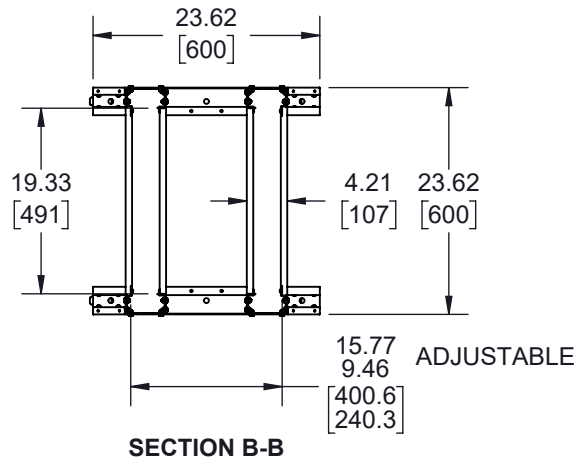


REVISIONS			
REV.	DESCRIPTION	DATE	APPROVED
A	INITIAL RELEASE	3/2/22	WDIBELLA



- NOTES:**
1. MAXIMUM MOUNTING DEPTH: 15.77" [400.6mm]
  2. MINIMUM MOUNTING DEPTH: 9.46" [240.3mm]
  3. MOUNTING DEPTH ADJUSTABLE IN 3.15" [80mm] INCREMENTS.

THESE COMMODITIES, TECHNOLOGY OR SOFTWARE WERE EXPORTED FROM THE UNITED STATES IN ACCORDANCE WITH THE EXPORT ADMINISTRATION REGULATIONS. DIVERSION CONTRARY TO U.S. LAW PROHIBITED.

UNLESS OTHERWISE SPECIFIED LEADING DIMENSIONS ARE INCHES DIMENSIONS IN [ ] ARE MILLIMETERS

**TOLERANCES:**  
 X = ± .2 [5.08] | FRACTIONS ± 1/32  
 .XX = ± .02 [.51] | ANGLES ± 1°  
 XXX = ± .005 [.13]

**CABLE LENGTH (L) TOLERANCES:**  
 L ≤ 12 [305] = +1 [25] / -0  
 12 [305] < L ≤ 60 [1524] = +2 [51] / -0  
 60 [1524] < L ≤ 120 [3048] = +4 [102] / -0  
 120 [3048] < L ≤ 300 [7620] = +6 [152] / -0  
 300 [7620] < L = +5%L / -0

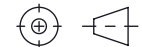
ALL DIMENSIONS SHOWN ARE FOR REFERENCE ONLY.

**Show Me**  
CABLES

an INFINIT® brand  
 115 Chesterfield Industrial Blvd.,  
 Chesterfield, MO 63005

Phone: 1.888.519.9505 | Fax: 1.888.519.9515  
 Website: www.ShowMeCables.com  
 E-mail: CustomerService@ShowMeCables.com

THIRD-ANGLE PROJECTION



THE INFORMATION AND DESIGN IN THIS DOCUMENT IS THE PROPERTY OF SHOWMECABLES, INC. ALL RIGHTS RESERVED.

SHEET 1 OF 1

SCALE N/A

SIZE	CAGE CODE	DRAWN BY	ITEM NO.	REV
A	3SVT8	HBAKKE	SMCRB6625(M6)	A