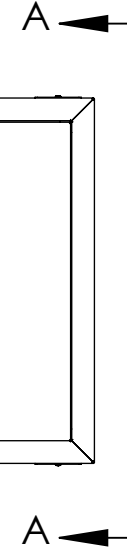


| REVISIONS |                 |            |          |
|-----------|-----------------|------------|----------|
| REV.      | DESCRIPTION     | DATE       | APPROVED |
| A         | INITIAL RELEASE | 05/06/2022 | VCHAN    |



UNLESS OTHERWISE SPECIFIED  
LEADING DIMENSIONS ARE INCHES  
DIMENSIONS IN [ ] ARE MILLIMETERS

**TOLERANCES:**

|                      |             |
|----------------------|-------------|
| X = ± 2 [5.08]       | FRACTIONS   |
| .XX = ± 0.02 [.51]   | ± 1/32      |
| .XXX = ± 0.005 [.13] | ANGLES ± 1° |

**CABLE LENGTH (L) TOLERANCES:**

|                             |                 |
|-----------------------------|-----------------|
| L ≤ 12 [305]                | = +1 [25] / -0  |
| 12 [305] < L ≤ 60 [1524]    | = +2 [51] / -0  |
| 60 [1524] < L ≤ 120 [3048]  | = +4 [102] / -0 |
| 120 [3048] < L ≤ 300 [7620] | = +6 [152] / -0 |
| 300 [7620] < L              | = +5%L / -0     |

ALL DIMENSIONS SHOWN  
ARE FOR REFERENCE ONLY.

**Show Me**  
CABLES

an INFINIT® brand  
115 Chesterfield Industrial Blvd.,  
Chesterfield, MO 63005  
Phone: 1.888.519.9505 | Fax: 1.888.519.9515  
Website: www.ShowMeCables.com  
E-mail: CustomerService@ShowMeCables.com

|      |           |          |              |     |
|------|-----------|----------|--------------|-----|
| SIZE | CAGE CODE | DRAWN BY | ITEM NO.     | REV |
| A    | 3SVT8     | DZINN    | SMCM3409-G-G | A   |

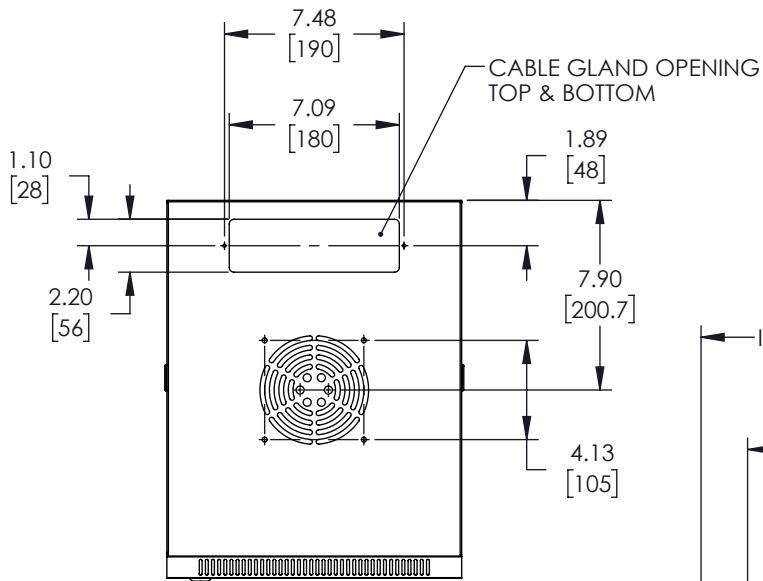
THIRD-ANGLE PROJECTION

THE INFORMATION AND  
DESIGN IN THIS DOCUMENT  
IS THE PROPERTY OF  
SHOWMECABLES, INC  
ALL RIGHTS RESERVED.

SHEET 1 OF 2

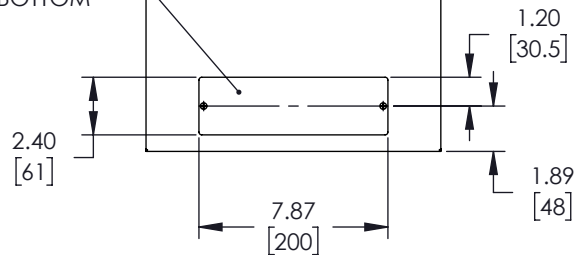
SCALE N/A

THESE COMMODITIES, TECHNOLOGY OR SOFTWARE WERE EXPORTED FROM THE UNITED STATES IN ACCORDANCE WITH THE EXPORT ADMINISTRATION REGULATIONS. DIVERSION CONTRARY TO U.S. LAW PROHIBITED.

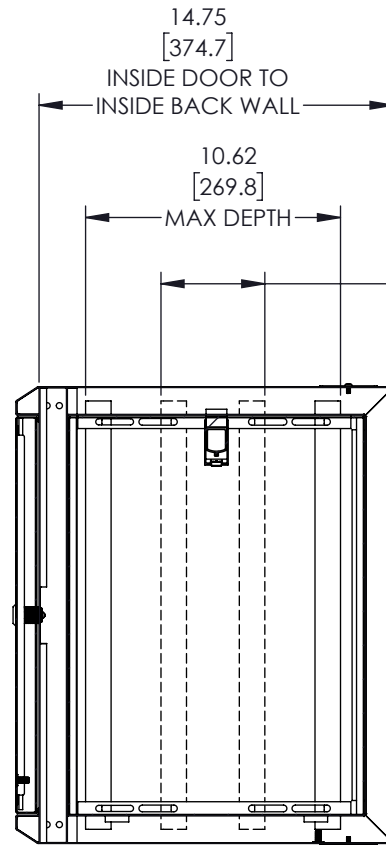


VIEW B-B

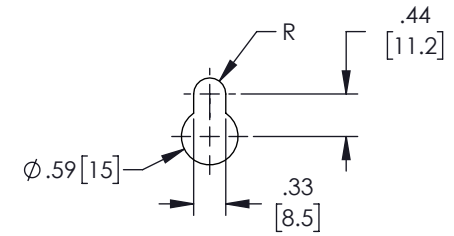
CABLE GLAND COVER TOP & BOTTOM



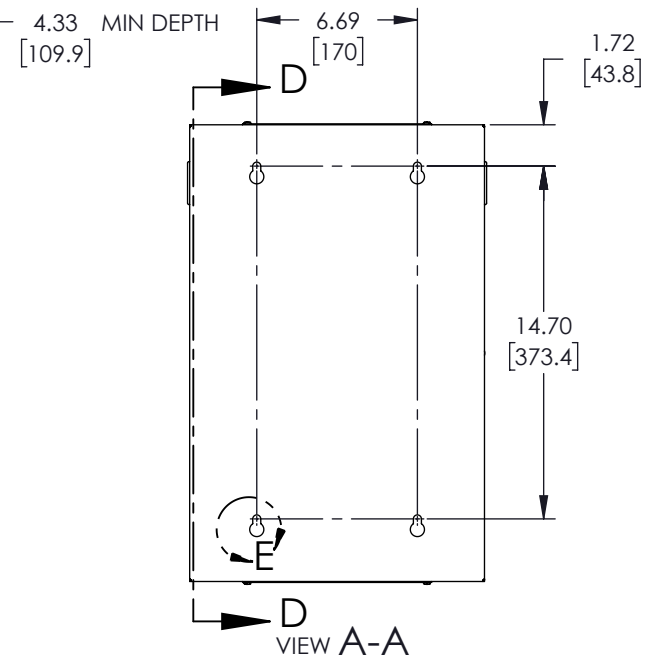
VIEW C-C



SECTION D-D



DETAIL E



VIEW A-A

THESE COMMODITIES, TECHNOLOGY OR SOFTWARE WERE EXPORTED FROM THE UNITED STATES IN ACCORDANCE WITH THE EXPORT ADMINISTRATION REGULATIONS. DIVERSION CONTRARY TO U.S. LAW PROHIBITED.

UNLESS OTHERWISE SPECIFIED LEADING DIMENSIONS ARE INCHES DIMENSIONS IN [ ] ARE MILLIMETERS

TOLERANCES:  
 X = ±.2 [5.08] FRACTIONS ± 1/32  
 .XX = ±.02 [.51] ANGLES ± 1°  
 .XXX = ±.005 [.13]

CABLE LENGTH (L) TOLERANCES:  
 L ≤ 12 [305] = +1 [25] / -0  
 12 [305] < L ≤ 60 [1524] = +2 [51] / -0  
 60 [1524] < L ≤ 120 [3048] = +4 [102] / -0  
 120 [3048] < L ≤ 300 [7620] = +6 [152] / -0  
 300 [7620] < L = +5%L / -0

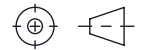
ALL DIMENSIONS SHOWN ARE FOR REFERENCE ONLY.

**Show Me**  
**CABLES**

an INFINIT® brand  
 115 Chesterfield Industrial Blvd.,  
 Chesterfield, MO 63005

Phone: 1.888.519.9505 | Fax: 1.888.519.9515  
 Website: www.ShowMeCables.com  
 E-mail: CustomerService@ShowMeCables.com

THIRD-ANGLE PROJECTION



THE INFORMATION AND DESIGN IN THIS DOCUMENT IS THE PROPERTY OF SHOWMECABLES, INC. ALL RIGHTS RESERVED.

SHEET 2 OF 2

SCALE N/A

|           |                    |                   |                          |          |
|-----------|--------------------|-------------------|--------------------------|----------|
| SIZE<br>A | CAGE CODE<br>3SVT8 | DRAWN BY<br>DZINN | ITEM NO.<br>SMCM3409-G-G | REV<br>A |
|-----------|--------------------|-------------------|--------------------------|----------|