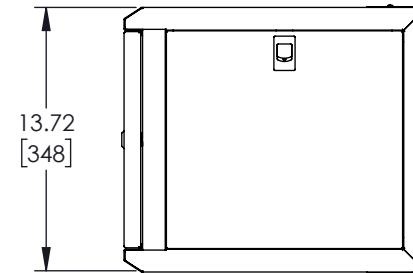
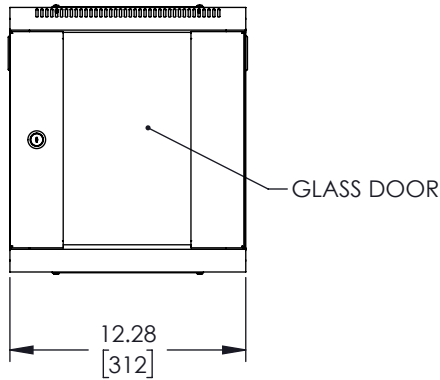
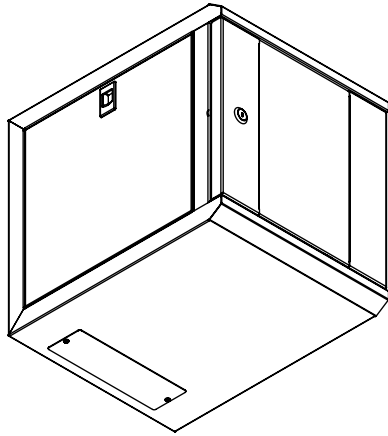
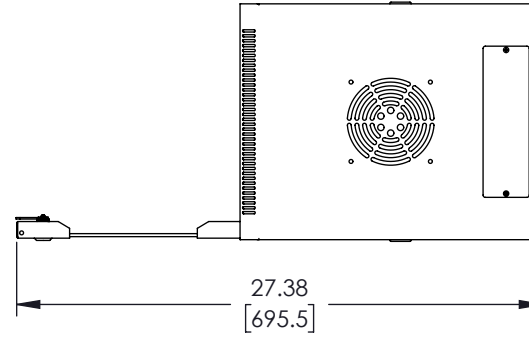
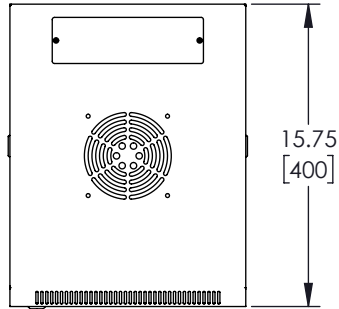
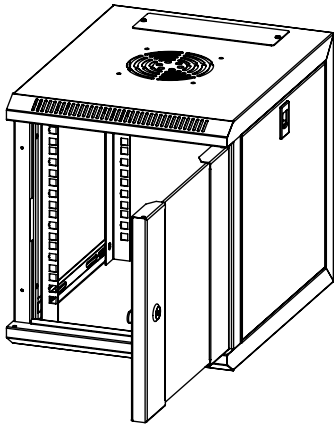


REVISIONS			
REV.	DESCRIPTION	DATE	APPROVED
A	INITIAL RELEASE	05/05/2022	VCHAN



UNLESS OTHERWISE SPECIFIED
LEADING DIMENSIONS ARE INCHES
DIMENSIONS IN [] ARE MILLIMETERS

TOLERANCES:

X = ± .2	[5.08]	FRACTIONS
.XX = ± .02	[.51]	± 1/32
XXX = ± .005	[.13]	ANGLES ± 1°

CABLE LENGTH (L) TOLERANCES:

L ≤ 12	[305]	= +1 [25] / -0
12 [305] < L ≤ 60	[1524]	= +2 [51] / -0
60 [1524] < L ≤ 120	[3048]	= +4 [102] / -0
120 [3048] < L ≤ 300	[7620]	= +6 [152] / -0
300 [7620] < L		= +5%L / -0

ALL DIMENSIONS SHOWN
ARE FOR REFERENCE ONLY.

Show Me
CABLES

an INFINIT® brand
115 Chesterfield Industrial Blvd.,
Chesterfield, MO 63005
Phone: 1.888.519.9505 | Fax: 1.888.519.9515
Website: www.ShowMeCables.com
E-mail: CustomerService@ShowMeCables.com

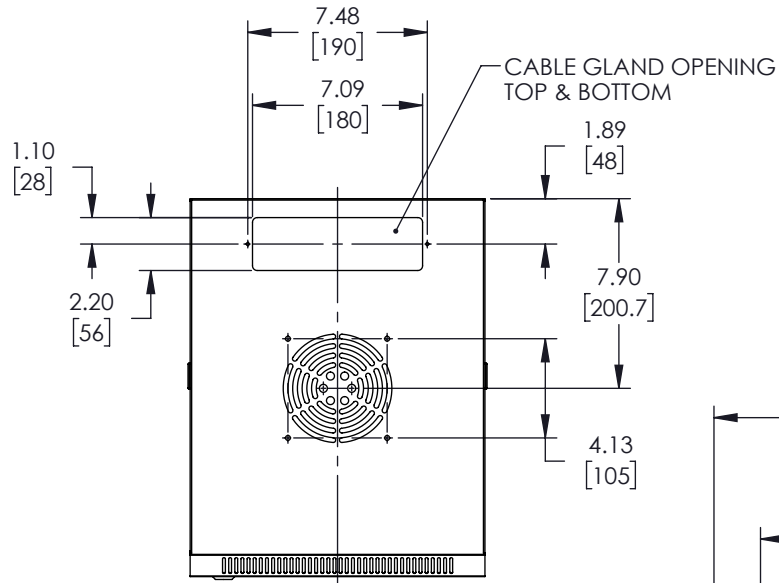
SIZE	CAGE CODE	DRAWN BY	ITEM NO.	REV
A	3SVT8	DZINN	SMCM3406-B-G	A

THIRD-ANGLE PROJECTION

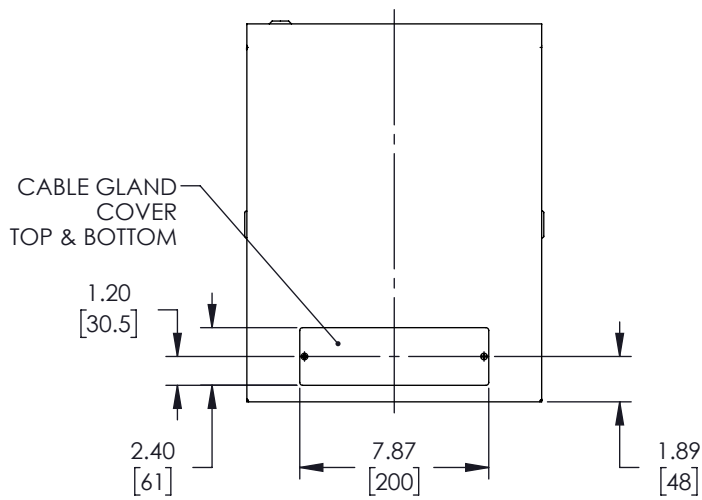
THE INFORMATION AND
DESIGN IN THIS DOCUMENT
IS THE PROPERTY OF
SHOWMECABLES, INC
ALL RIGHTS RESERVED.

SHEET	1	OF	2
SCALE	N/A		

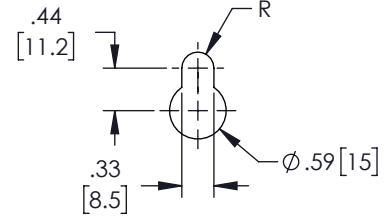
THESE COMMODITIES, TECHNOLOGY OR SOFTWARE WERE EXPORTED FROM THE UNITED STATES IN ACCORDANCE WITH THE EXPORT ADMINISTRATION REGULATIONS. DIVERSION CONTRARY TO U.S. LAW PROHIBITED.



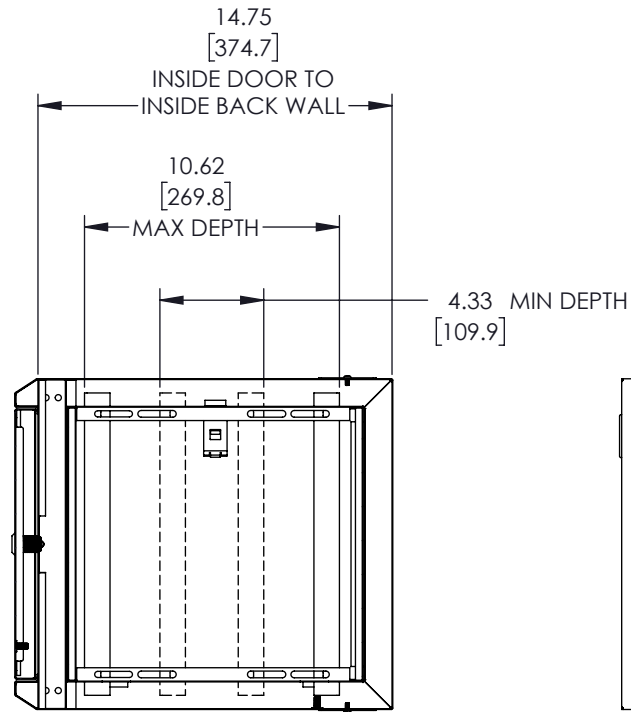
VIEW B-B



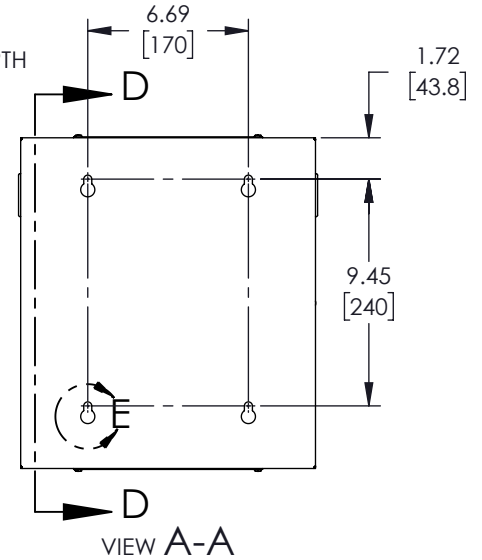
VIEW C-C



DETAIL E



SECTION D-D



VIEW A-A

THESE COMMODITIES, TECHNOLOGY OR SOFTWARE WERE EXPORTED FROM THE UNITED STATES IN ACCORDANCE WITH THE EXPORT ADMINISTRATION REGULATIONS. DIVERSION CONTRARY TO U.S. LAW PROHIBITED.

UNLESS OTHERWISE SPECIFIED LEADING DIMENSIONS ARE INCHES DIMENSIONS IN [] ARE MILLIMETERS

TOLERANCES:

X = ±.2 [5.08] | FRACTIONS ± 1/32
 .XX = ±.02 [.51] | ANGLES ± 1°
 .XXX = ±.005 [.13]

CABLE LENGTH (L) TOLERANCES:

L ≤ 12 [305] = +1 [25] / -0
 12 [305] < L ≤ 60 [1524] = +2 [51] / -0
 60 [1524] < L ≤ 120 [3048] = +4 [102] / -0
 120 [3048] < L ≤ 300 [7620] = +6 [152] / -0
 300 [7620] < L = +5% L / -0

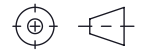
ALL DIMENSIONS SHOWN ARE FOR REFERENCE ONLY.

Show Me
CABLES

an INFINIT® brand
 115 Chesterfield Industrial Blvd.,
 Chesterfield, MO 63005

Phone: 1.888.519.9505 | Fax: 1.888.519.9515
 Website: www.ShowMeCables.com
 E-mail: CustomerService@ShowMeCables.com

THIRD-ANGLE PROJECTION



THE INFORMATION AND DESIGN IN THIS DOCUMENT IS THE PROPERTY OF SHOWMECABLES, INC. ALL RIGHTS RESERVED.

SHEET 2 OF 2

SCALE N/A

SIZE	CAGE CODE	DRAWN BY	ITEM NO.	REV
A	3SVT8	DZINN	SMCM3406-B-G	A