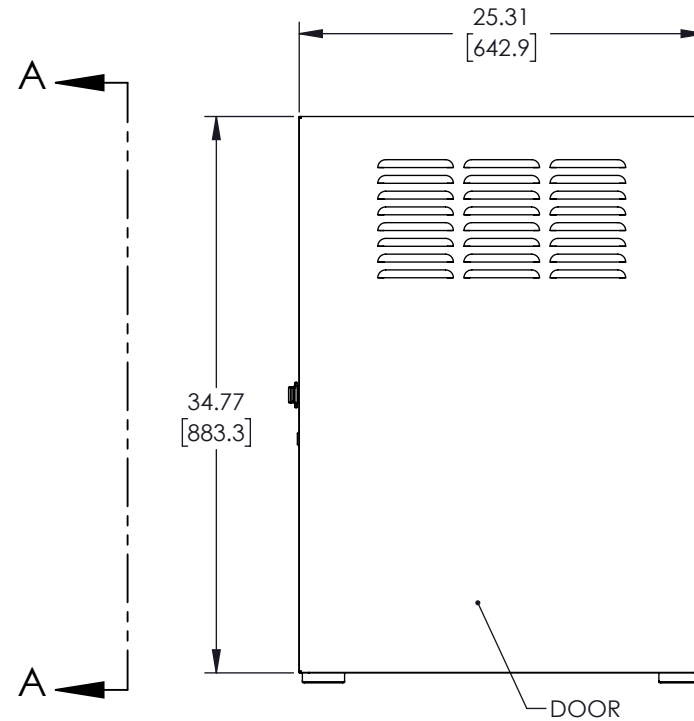
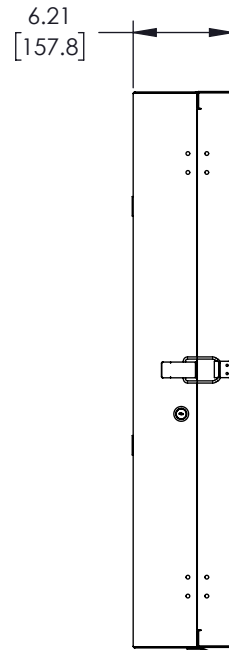
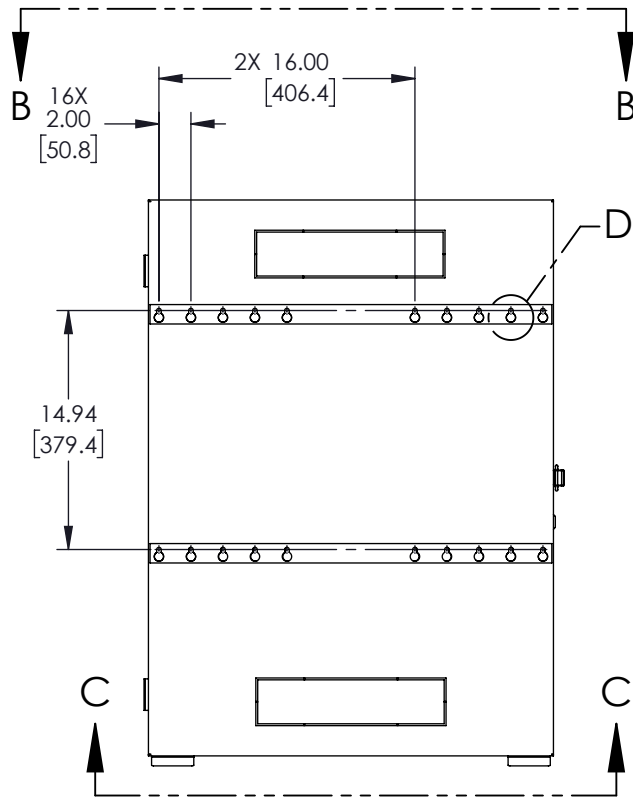


REVISIONS			
REV.	DESCRIPTION	DATE	APPROVED
A	INITIAL RELEASE	05/23/2022	VCHAN



THESE COMMODITIES, TECHNOLOGY OR SOFTWARE WERE EXPORTED FROM THE UNITED STATES IN ACCORDANCE WITH THE EXPORT ADMINISTRATION REGULATIONS. DIVERSION CONTRARY TO U.S. LAW PROHIBITED.

UNLESS OTHERWISE SPECIFIED
LEADING DIMENSIONS ARE INCHES
DIMENSIONS IN [] ARE MILLIMETERS

TOLERANCES:
 X = ± .2 [5.08] FRACTIONS ± 1/32
 .XX = ± .02 [.51] ANGLES ± 1°
 XXX = ± .005 [.13]

CABLE LENGTH (L) TOLERANCES:
 L ≤ 12 [305] = +1 [25] / -0
 12 [305] < L ≤ 60 [1524] = +2 [51] / -0
 60 [1524] < L ≤ 120 [3048] = +4 [102] / -0
 120 [3048] < L ≤ 300 [7620] = +6 [152] / -0
 300 [7620] < L = +5%L / -0

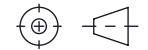
ALL DIMENSIONS SHOWN
ARE FOR REFERENCE ONLY.

Show Me
CABLES

an INFINIT® brand
115 Chesterfield Industrial Blvd.,
Chesterfield, MO 63005

Phone: 1.888.519.9505 | Fax: 1.888.519.9515
Website: www.ShowMeCables.com
E-mail: CustomerService@ShowMeCables.com

THIRD-ANGLE PROJECTION

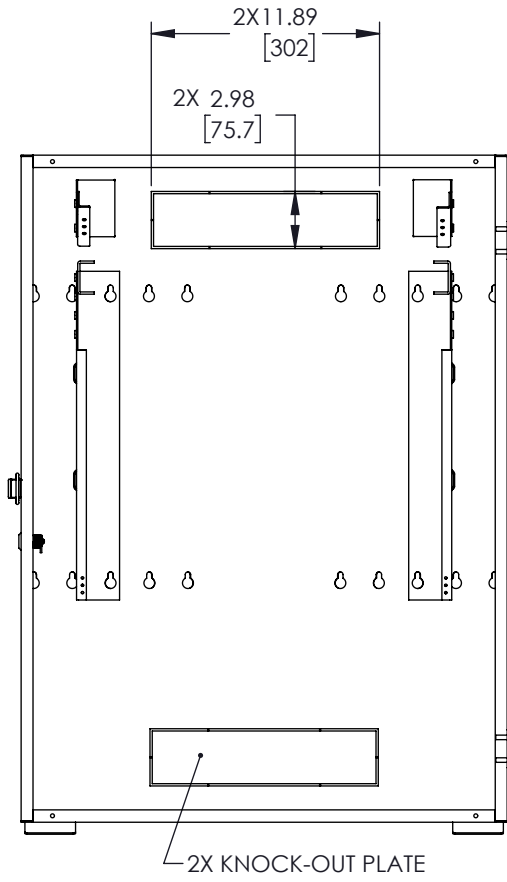


THE INFORMATION AND
DESIGN IN THIS DOCUMENT
IS THE PROPERTY OF
SHOWMECABLES, INC
ALL RIGHTS RESERVED.

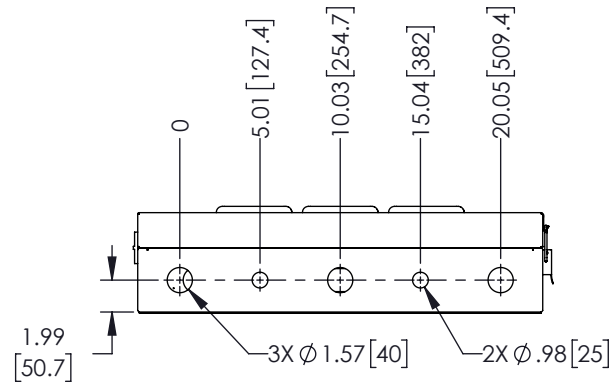
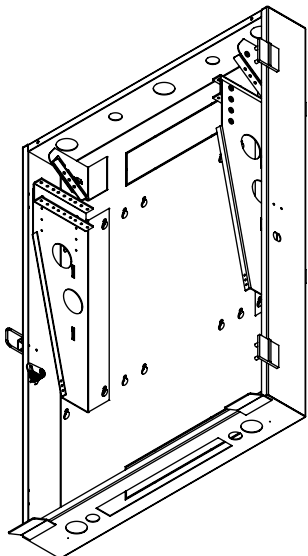
SHEET 1 OF 2

SCALE N/A

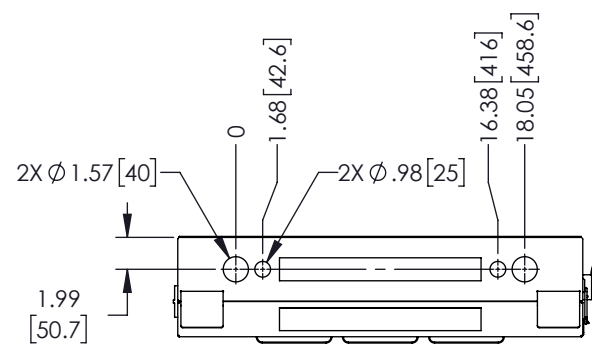
SIZE	CAGE CODE	DRAWN BY	ITEM NO.	REV
A	3SVT8	DZINN	SMCF3U700	A



VIEW A-A
POPULATED ENCLOSURE
DOOR NOT SHOWN



VIEW B-B



VIEW C-C

THESE COMMODITIES, TECHNOLOGY OR SOFTWARE WERE EXPORTED FROM THE UNITED STATES IN ACCORDANCE WITH THE EXPORT ADMINISTRATION REGULATIONS. DIVERSION CONTRARY TO U.S. LAW PROHIBITED.

UNLESS OTHERWISE SPECIFIED
LEADING DIMENSIONS ARE INCHES
DIMENSIONS IN [] ARE MILLIMETERS

TOLERANCES:
X = ± .2 [.508] | FRACTIONS ± 1/32
.XX = ± .02 [.51] | ANGLES ± 1°
XXX = ± .005 [.13]

CABLE LENGTH (L) TOLERANCES:
L ≤ 12 [305] = +1 [25] / -0
12 [305] < L ≤ 60 [1524] = +2 [51] / -0
60 [1524] < L ≤ 120 [3048] = +4 [102] / -0
120 [3048] < L ≤ 300 [7620] = +6 [152] / -0
300 [7620] < L = +5%L / -0

ALL DIMENSIONS SHOWN
ARE FOR REFERENCE ONLY.

Show Me
CABLES

an INFINIT® brand
115 Chesterfield Industrial Blvd.,
Chesterfield, MO 63005
Phone: 1.888.519.9505 | Fax: 1.888.519.9515
Website: www.ShowMeCables.com
E-mail: CustomerService@ShowMeCables.com

SIZE A	CAGE CODE 3SVT8	DRAWN BY DZINN	ITEM NO. SMCF3U700	REV A
-----------	--------------------	-------------------	-----------------------	----------

THIRD-ANGLE PROJECTION

THE INFORMATION AND DESIGN IN THIS DOCUMENT IS THE PROPERTY OF SHOWMECABLES, INC. ALL RIGHTS RESERVED.

SHEET 2 OF 2

SCALE N/A