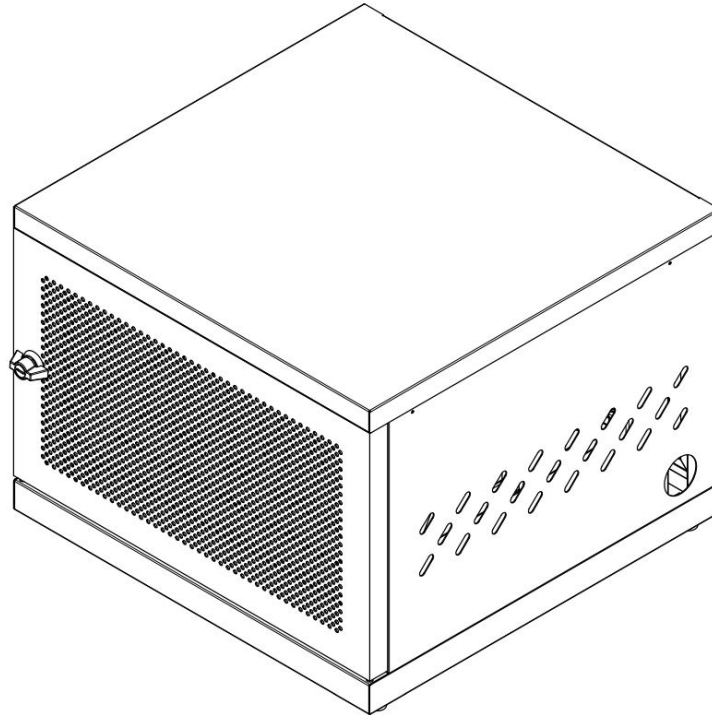


## OWNER'S MANUAL: Fixed Type Charging Cabinet with 16 Port USB Power



Keep this information for further reference.

Thank you for purchasing a SMC product.

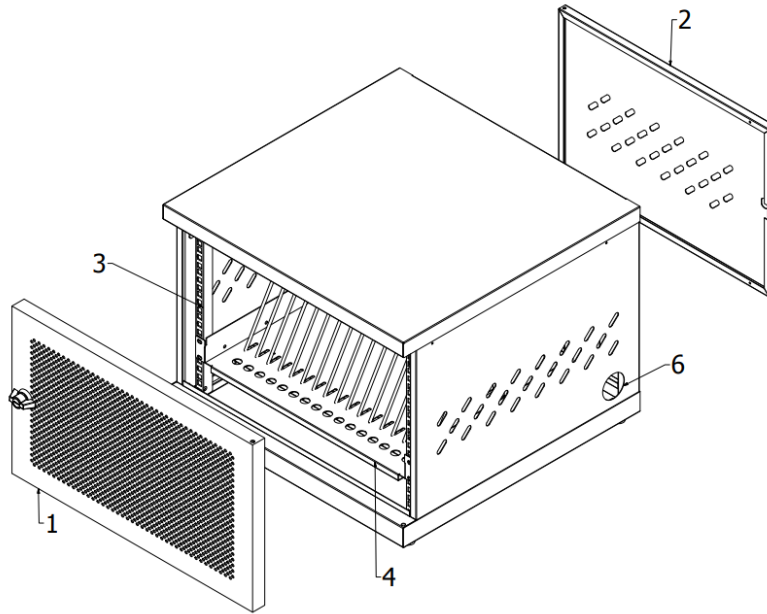
Please examine the product for any damaged parts. If any part is damaged or missing, contact SMC for assistance. Do not attempt to install or use product if it has been damaged.

Improper installation or use of this product could result in damage to the product, other equipment, or personal injury. SMC cannot be held responsible for damage to equipment or personal injury resulting from improper use or installation of product. If product is intended to store/mount equipment, please ensure the equipment stored/mounted does not exceed the specified weight capacity.

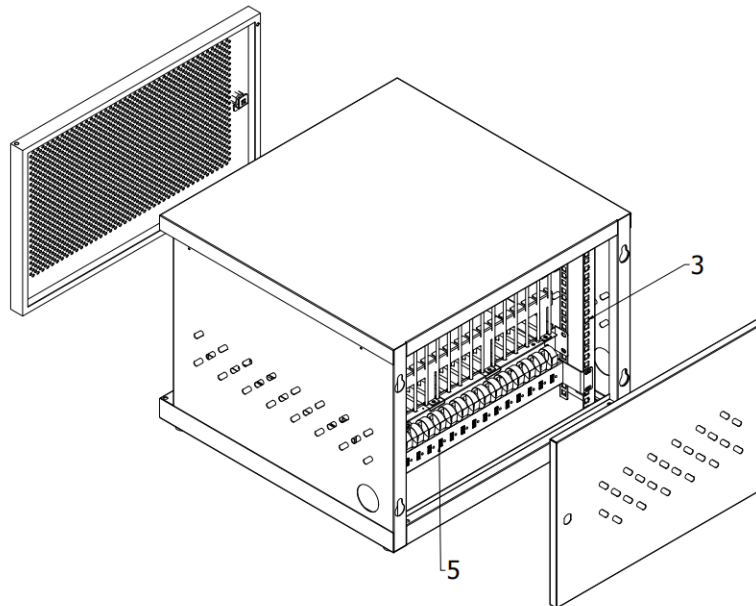
Limitations of Liability: In no event will SMC. be liable for any damages, whether direct or indirect, special, punitive, incidental or consequential damages (including, but not limited to, lost profits or revenue, loss of use, lost business opportunities or loss of goodwill) or for the costs of procuring substitute products, arising out of or in connection with the use of the product, whether such liability arises from any claim based upon contract, warranty, tort (including negligence), product liability or otherwise, whether or not seller has been advised of the possibility of such loss or damage. In no event will seller's total cumulative liability, from all causes of action and all theories of liability, exceed the total amounts actually paid to seller by customer under the order that gives rise to any liability hereunder.

# 1. Feature Identification

**Front View**

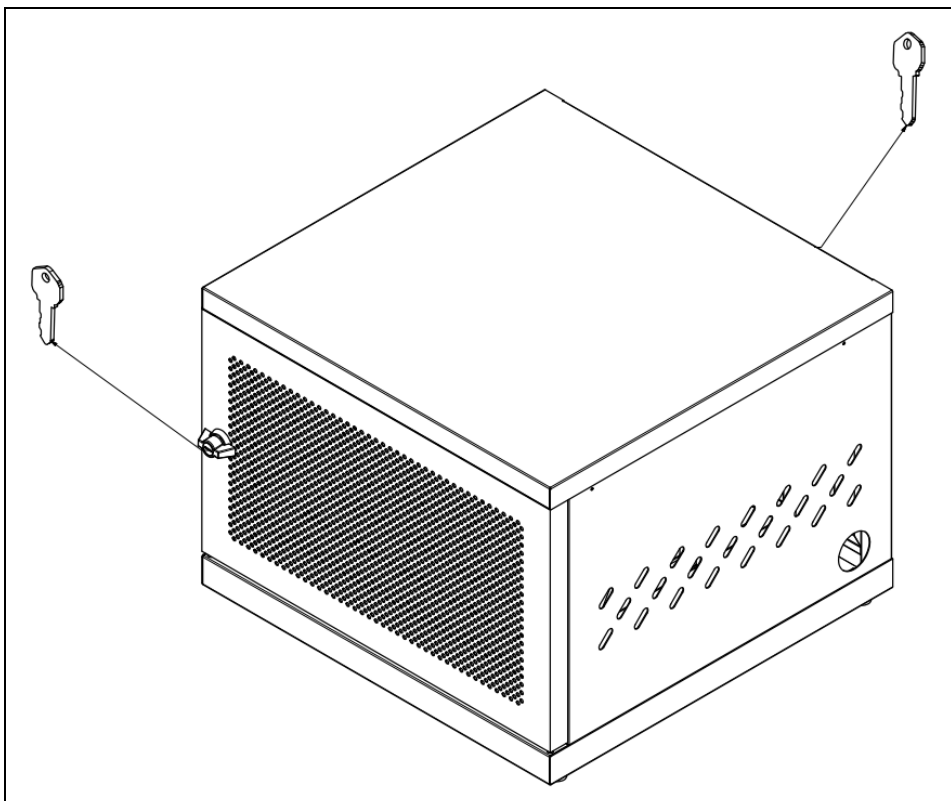


**Back View**



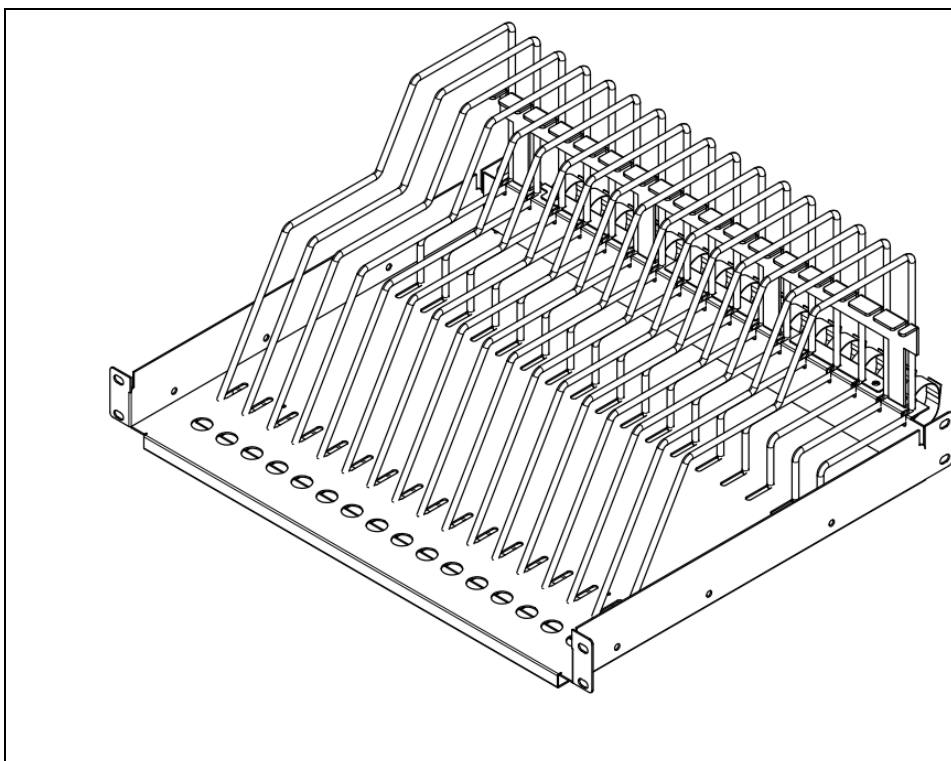
- 1- Front Door
- 2- Back Door
- 3- Vertical Mounting Rails
- 4- Adjustable 16-tablet Storage Shelf
- 5- 16-Port USB Charger
- 6- Power Cord Access Holes

## Door Locks

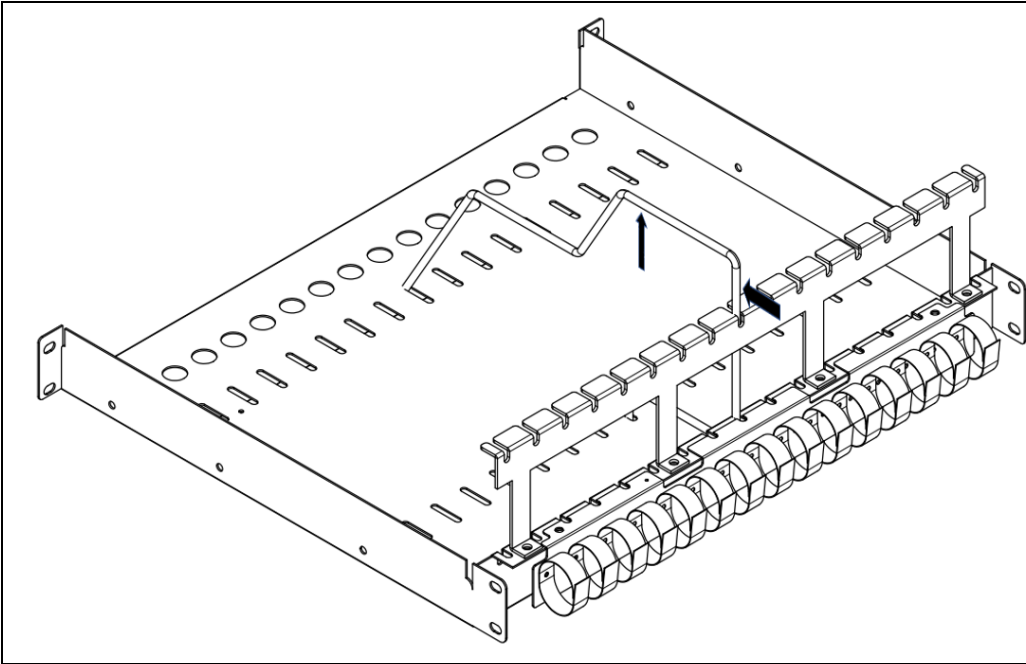


The front/back door contains locks that can be secured with the included keys.

## Adjusting Storage Shelf Dividers

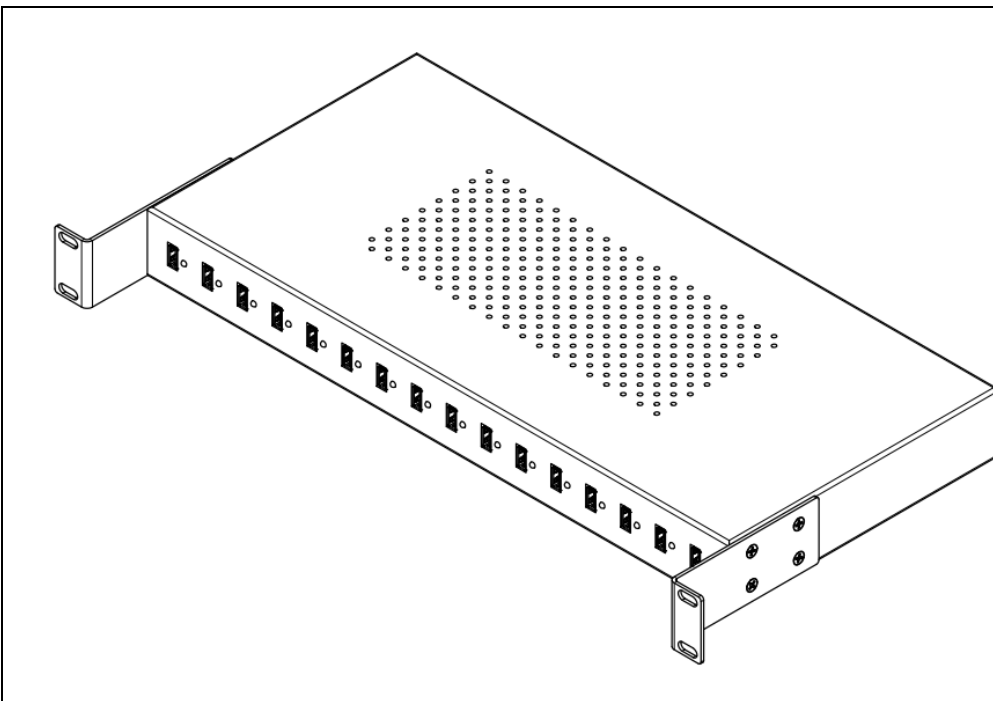


The charging station comes with a storage shelf containing adjustable dividers that can accommodate up to 16 personal electronic devices.



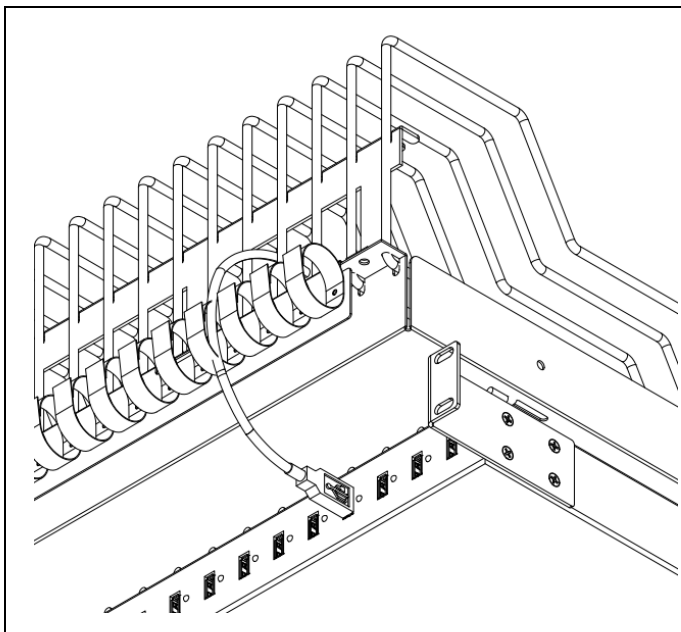
Remove any personal electronic devices stored on the shelf.  
Remove the silver divider by pushing it forward from the back side of the shelf and lifting it out.

## 16-Port USB Charger

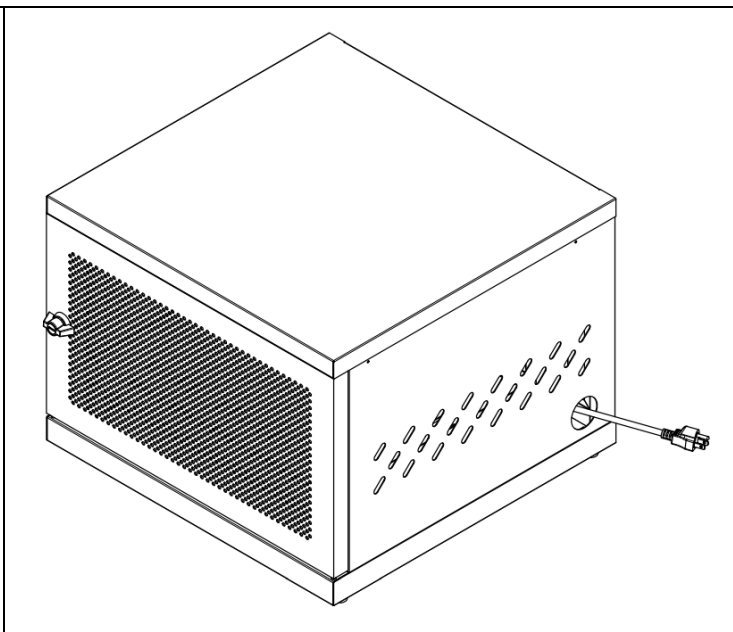


16 USB ports provide optimum charging level (3A) for up to 16 USB devices.

## Cable Access and Management



The shelf features 16 hook and loop straps for cable management.



Run the power cord through the power cord access holes on either side of the cabinet to connect to the power outlet.