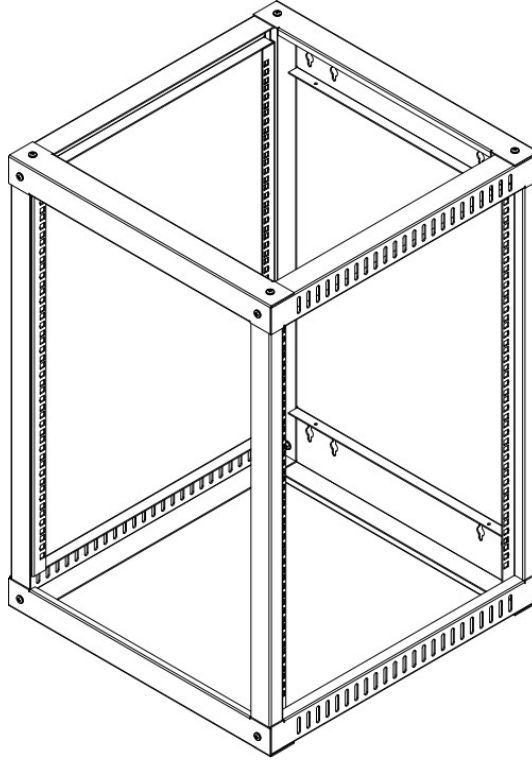


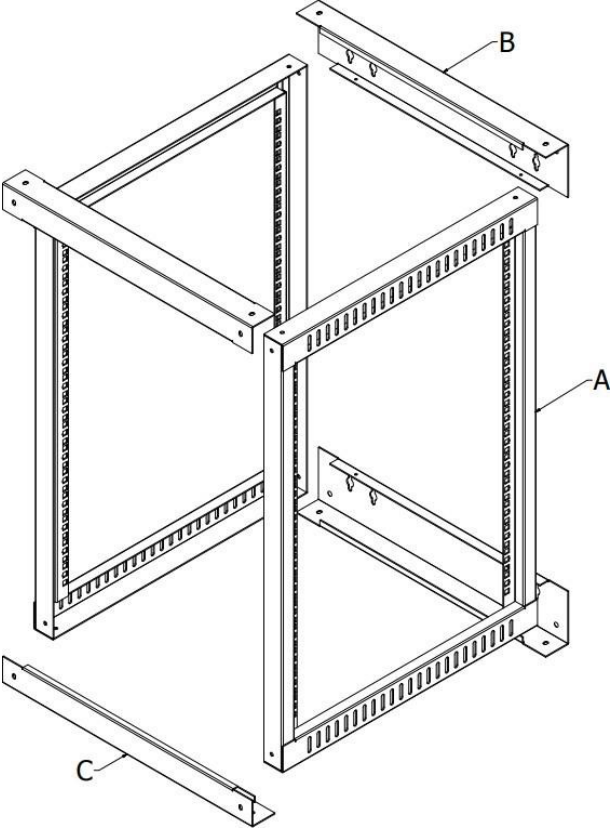







Sideways Wall-Mount Rack (9U/12U/15U)



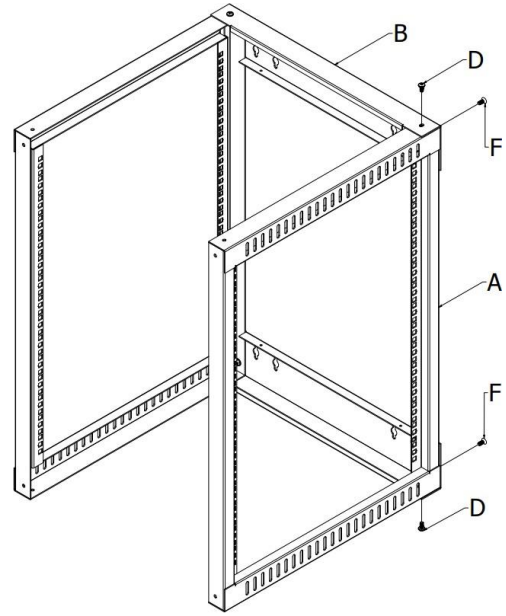
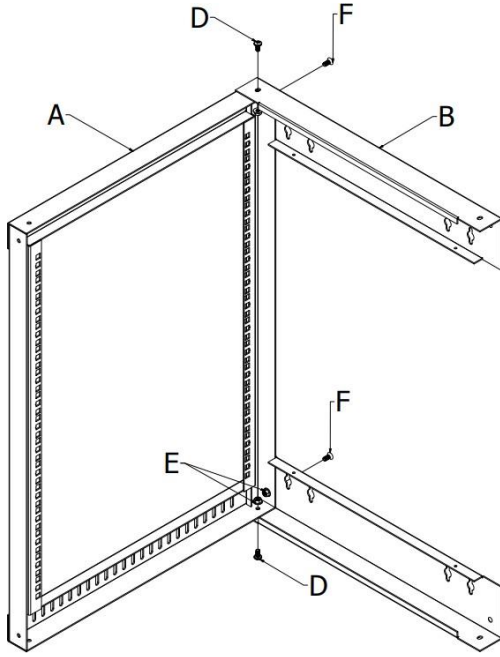
Keep this information for further reference.

- Thank you for purchasing an SMC product.
- Please examine the product for any damaged parts. If any part is damaged or missing, contact SMC for assistance. Do not attempt to install or use product if it has been damaged. This product contains small items that could be a choking hazard – keep these items away from children.
- During installation, lay product contents on cardboard or other protective surface to avoid any damage.
- Do not use with equipment that is heavier than the indicated weight capacity for this product. This product is designed to be installed indoors on wood stud walls, solid concrete walls or brick walls. Make sure that the supporting surface will safely support the weight of the equipment and all attached hardware and components. It is recommended that installation be performed by a qualified installer. SMC cannot be held responsible for damage to equipment or personal injury resulting from improper use or installation of product.
- Maintenance: Check that the product is secure and safe to use at regular intervals (at least every three months).
- Limitations of Liability: In no event will SMC, LLC. be liable for any damages, whether direct or indirect, special, punitive, incidental or consequential damages (including, but not limited to, lost profits or revenue, loss of use, lost business opportunities or loss of goodwill) or for the costs of procuring substitute products, arising out of or in connection with the use of the product, whether such liability arises from any claim based upon contract, warranty, tort (including negligence), product liability or otherwise, whether or not seller has been advised of the possibility of such loss or damage. In no event will seller's total cumulative liability, from all causes of action and all theories of liability, exceed the total amounts actually paid to seller by customer under the order that gives rise to any liability hereunder.

Parts Identification

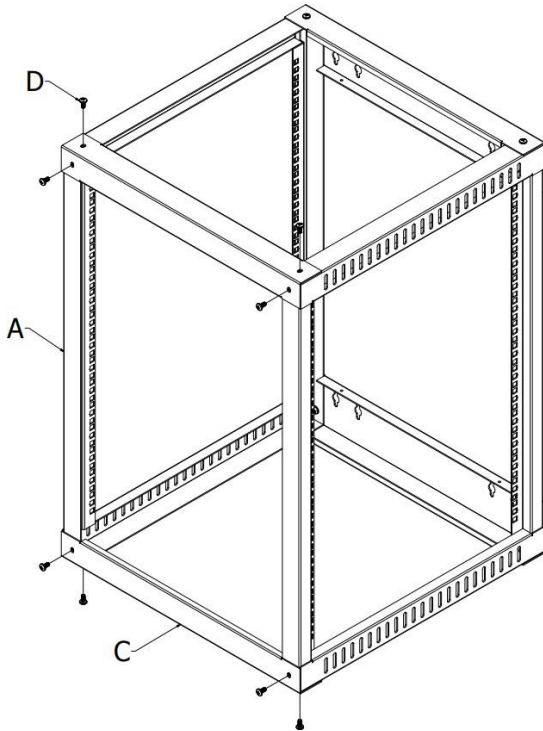
| | | | |
|--|--|--|---|
|  | <h3>Rack Components</h3> <ul style="list-style-type: none"> A Side Frame (x2) B Back Horizontal Beam (x2) C Front Horizontal Beam (x2) | | |
| <h3>Rack Installation Hardware</h3> | | | |
|  <p>D</p> <p>M6*12mm Screws (x16)</p> |  <p>E</p> <p>M6 Flange Nuts (x16)</p> |  <p>F</p> <p>M6 Flat Head Screws (x4)</p> |  <p>G</p> <p>Anchors (x4)</p> |
| <h3>Equipment Mounting Hardware Bag (H)</h3> | | | |
|  <p>M6 Mounting Screws 9U (x12) 12U (x12) 15U (x24)</p> |  <p>M6 Plastic Washers 9U (x12) 12U (x12) 15U (x24)</p> |  <p>M6 Cage Nuts 9U (x12) 12U (x12) 15U (x24)</p> | |
| <p>Tools Required: Phillips Screwdriver (not included)</p> | | | |

Assemble Back Horizontal Beams to Side Frames



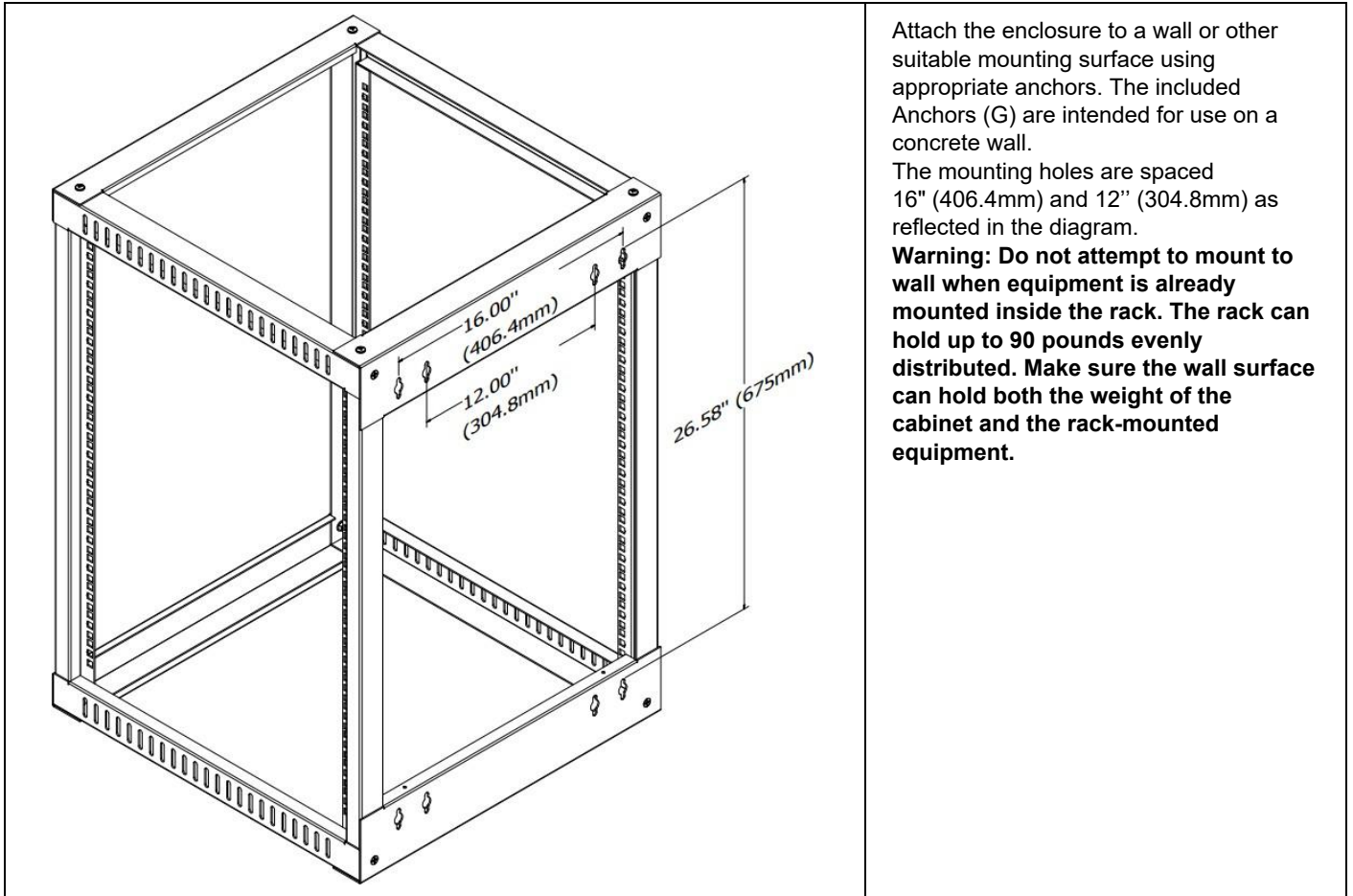
Attach both Back Horizontal Beams (B) to the Side Frames (A) and secure them with 4 of the M6*12mm Screws (D), 4 of the M6 Flat Head Screws (F) and 8 of the M6 Flange Nuts (E) using a Phillips Screwdriver.

Assemble Front Horizontal Beams to Side Frames

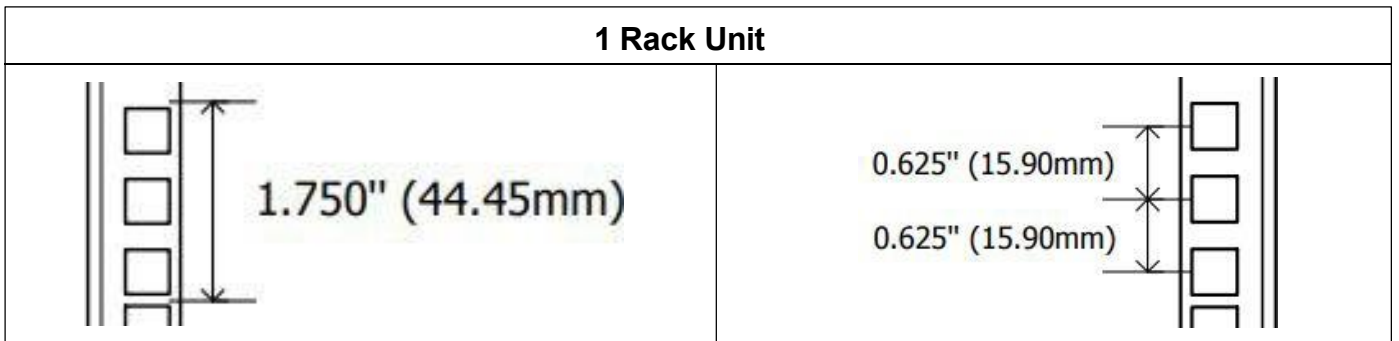


Attach Both Front Horizontal Beams (C) to the Side Frames (A) and secure them with 8 of the M6*12mm Screws (D) and 8 of the M6 Flange Nuts (E) using a Phillips Screwdriver.

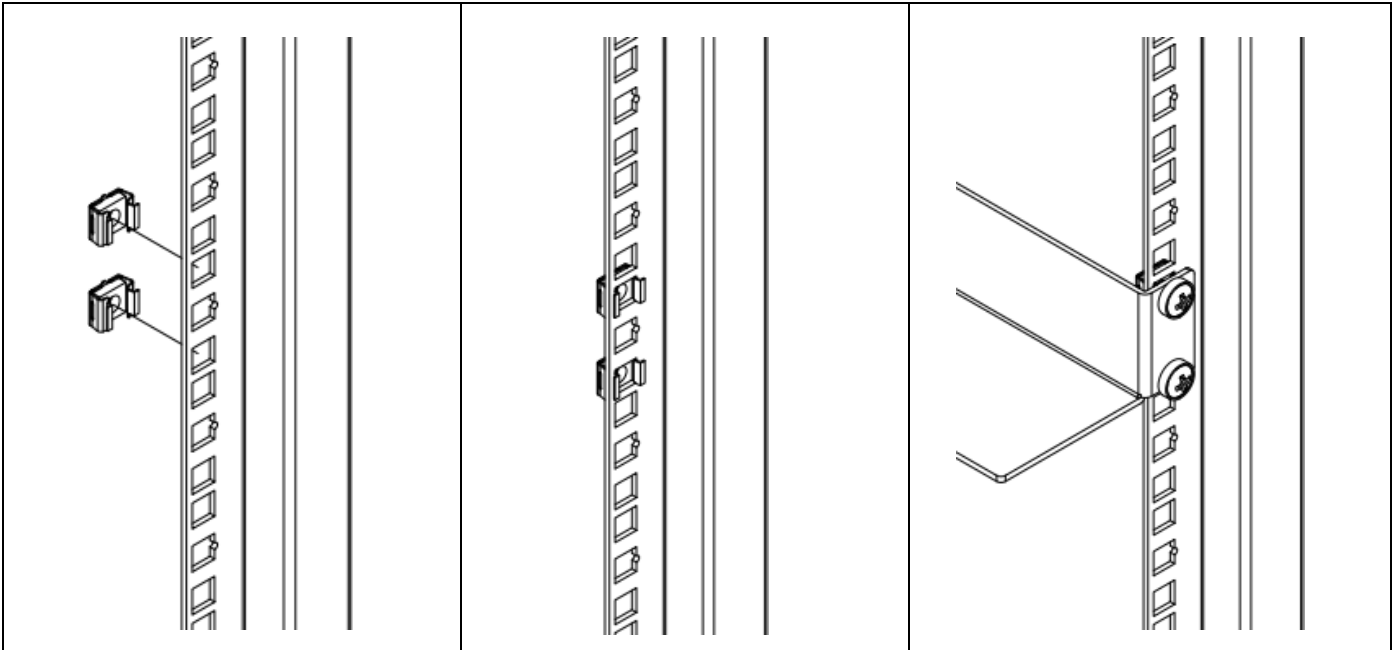
■ Mounting the Rack to the wall



■ Equipment Installation



Installing Cage Nuts



1 Locate the numbered square openings in the mounting rails where you plan to install your equipment. You will install cage nuts (included) into the square openings to provide an attachment point for the mounting screws (included).
Note: Consult your equipment documentation to determine how many cage nuts will be required and where they will need to be installed.

a- From the inside of the mounting rail, insert one of the flanges of the cage nut through the square opening. Press it against the side of the square opening. Each flange should engage one side of the square opening, not the top or bottom.

b- Compress the cage nut at the sides slightly to allow the remaining flange to fit through the square opening. When the cage nut is properly installed, both flanges will protrude through the square opening and will be visible on the outer surface of the mounting rail. Repeat steps 1a and 1b until all required cage nuts are installed.

2 After installing the required cage nuts, use the included black mounting screws and plastic washers to secure your equipment to the rack rail. Place the plastic washers between the screws and the equipment mounting brackets.