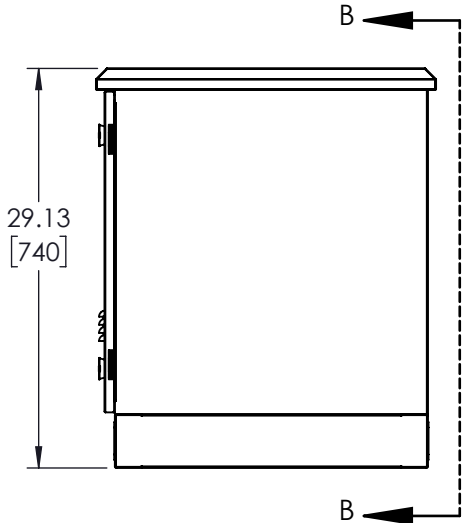
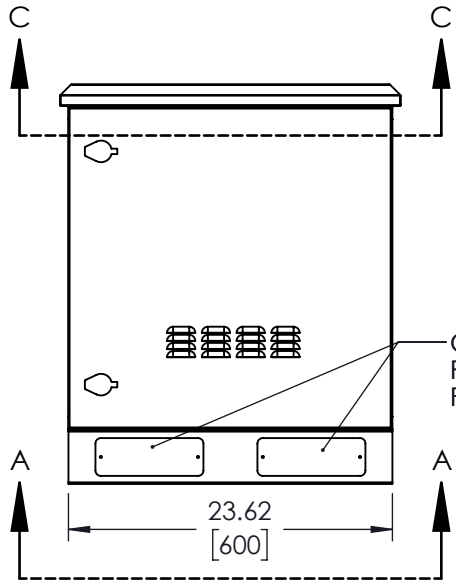
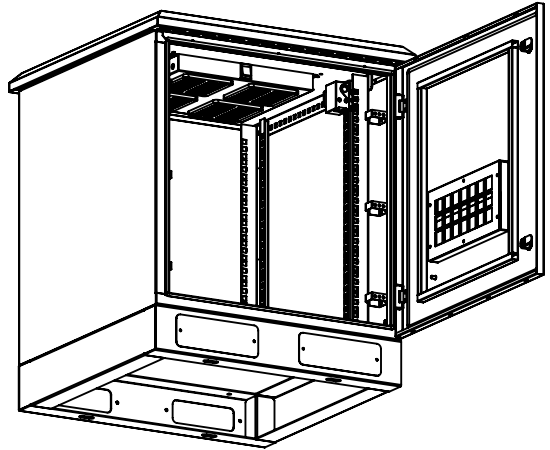
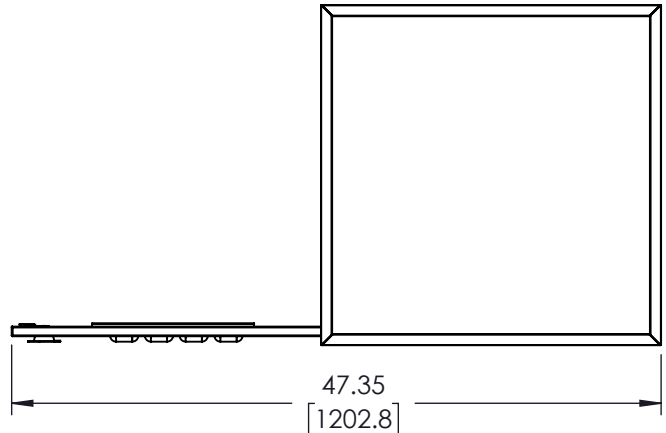
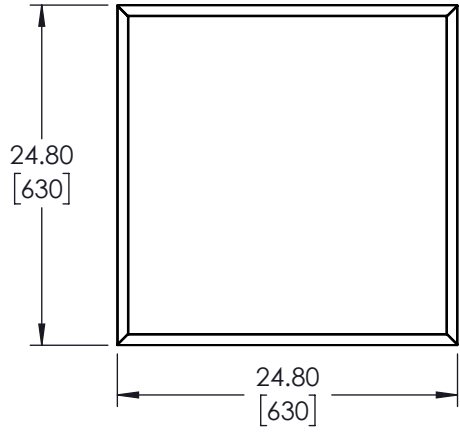
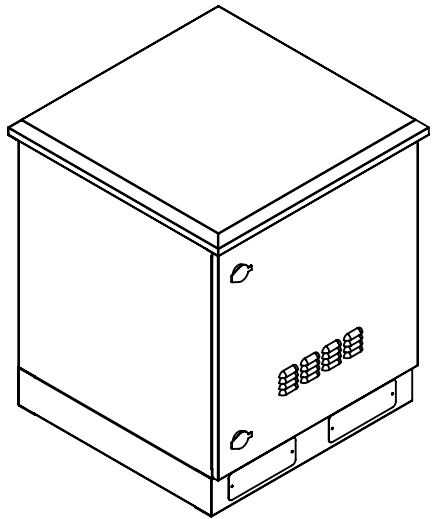


REVISIONS			
REV.	DESCRIPTION	DATE	APPROVED
A	INITIAL RELEASE	6/14/2022	WDIBELLA



CABLE PASS-THROUGH FRONT & BACK

UNLESS OTHERWISE SPECIFIED LEADING DIMENSIONS ARE INCHES DIMENSIONS IN [ ] ARE MILLIMETERS

TOLERANCES:

X = ± 2	[5.08]	FRACTIONS
.XX = ± 0.02	[.51]	± 1/32
.XXX = ± 0.005	[.13]	ANGLES ± 1°

CABLE LENGTH (L) TOLERANCES:

L ≤ 12	[305]	= +1 [25] / -0
12 [305] < L ≤ 60	[1524]	= +2 [51] / -0
60 [1524] < L ≤ 120	[3048]	= +4 [102] / -0
120 [3048] < L ≤ 300	[7620]	= +6 [152] / -0
300 [7620] < L	= +5%L / -0	

ALL DIMENSIONS SHOWN ARE FOR REFERENCE ONLY.

**Show Me**  
CABLES

an INFINIT® brand  
115 Chesterfield Industrial Blvd.,  
Chesterfield, MO 63005  
Phone: 1.888.519.9505 | Fax: 1.888.519.9515  
Website: www.ShowMeCables.com  
E-mail: CustomerService@ShowMeCables.com

THIRD-ANGLE PROJECTION

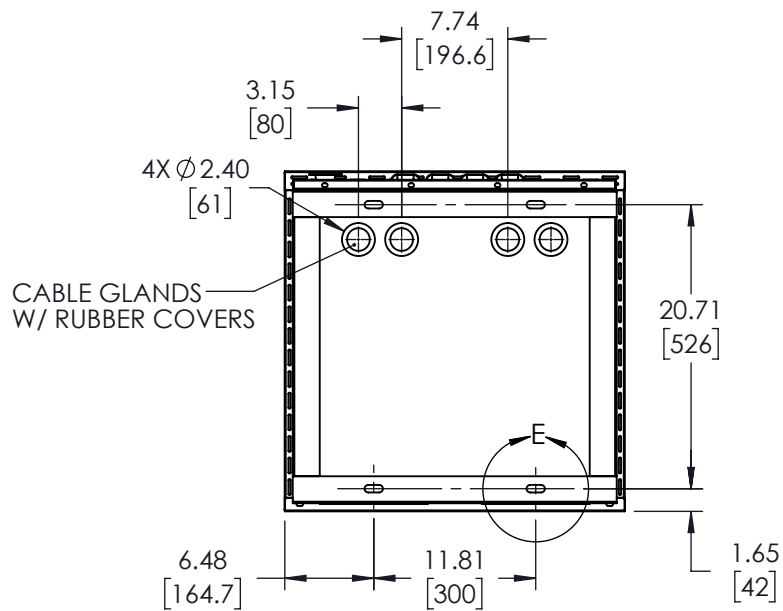
THE INFORMATION AND DESIGN IN THIS DOCUMENT IS THE PROPERTY OF SHOWMECABLES, INC. ALL RIGHTS RESERVED.

SHEET 1 OF 3

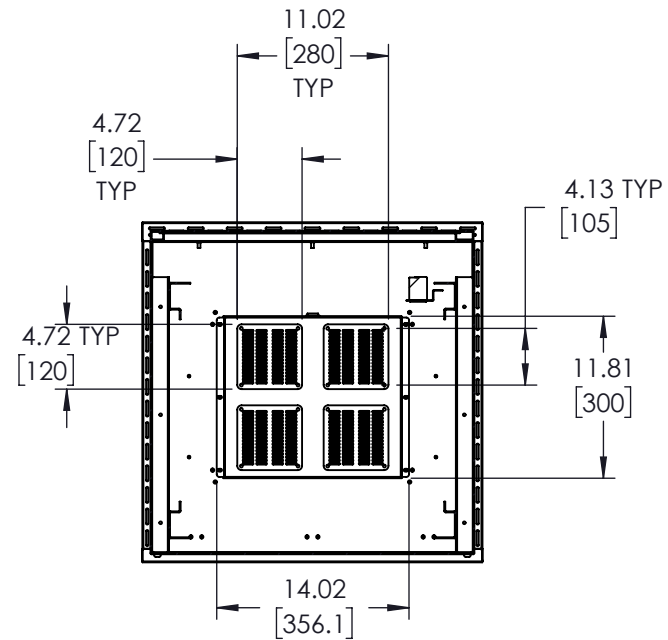
SCALE N/A

SIZE	CAGE CODE	DRAWN BY	ITEM NO.	REV
A	3SVT8	WZHANG	SMC-NEIA-FL-6612	A

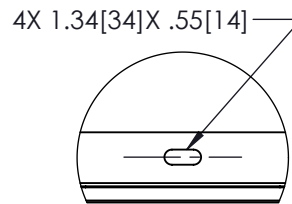
THESE COMMODITIES, TECHNOLOGY OR SOFTWARE WERE EXPORTED FROM THE UNITED STATES IN ACCORDANCE WITH THE EXPORT ADMINISTRATION REGULATIONS. DIVERSION CONTRARY TO U.S. LAW PROHIBITED.



SECTION A-A



SECTION C-C



DETAIL E

THESE COMMODITIES, TECHNOLOGY OR SOFTWARE WERE EXPORTED FROM THE UNITED STATES IN ACCORDANCE WITH THE EXPORT ADMINISTRATION REGULATIONS. DIVERSION CONTRARY TO U.S. LAW PROHIBITED.

UNLESS OTHERWISE SPECIFIED  
LEADING DIMENSIONS ARE INCHES  
DIMENSIONS IN [ ] ARE MILLIMETERS

**TOLERANCES:**  
 X = ± .2 [ .508 ]      FRACTIONS ± 1/32  
 .XX = ± .02 [ .51 ]      ANGLES ± 1°  
 .XXX = ± .005 [ .13 ]

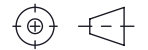
**CABLE LENGTH (L) TOLERANCES:**  
 L ≤ 12 [305] = +1 [25] / -0  
 12 [305] < L ≤ 60 [1524] = +2 [51] / -0  
 60 [1524] < L ≤ 120 [3048] = +4 [102] / -0  
 120 [3048] < L ≤ 300 [7620] = +6 [152] / -0  
 300 [7620] < L = +5%L / -0

ALL DIMENSIONS SHOWN  
ARE FOR REFERENCE ONLY.

**Show Me™**  
CABLES

an INFINIT® brand  
 115 Chesterfield Industrial Blvd.,  
 Chesterfield, MO 63005  
 Phone: 1.888.519.9505 | Fax: 1.888.519.9515  
 Website: www.ShowMeCables.com  
 E-mail: CustomerService@ShowMeCables.com

THIRD-ANGLE PROJECTION

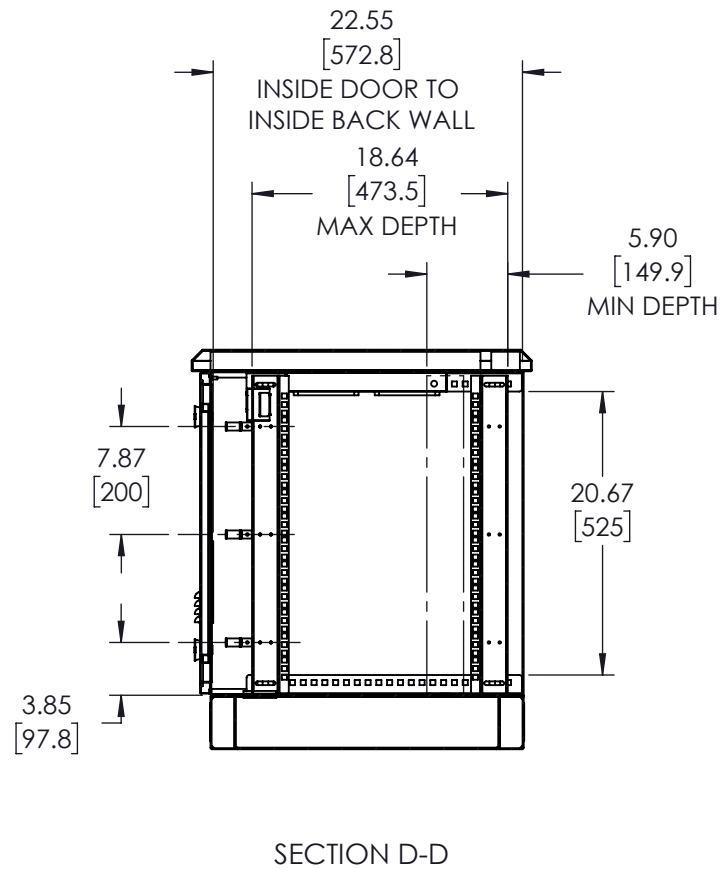
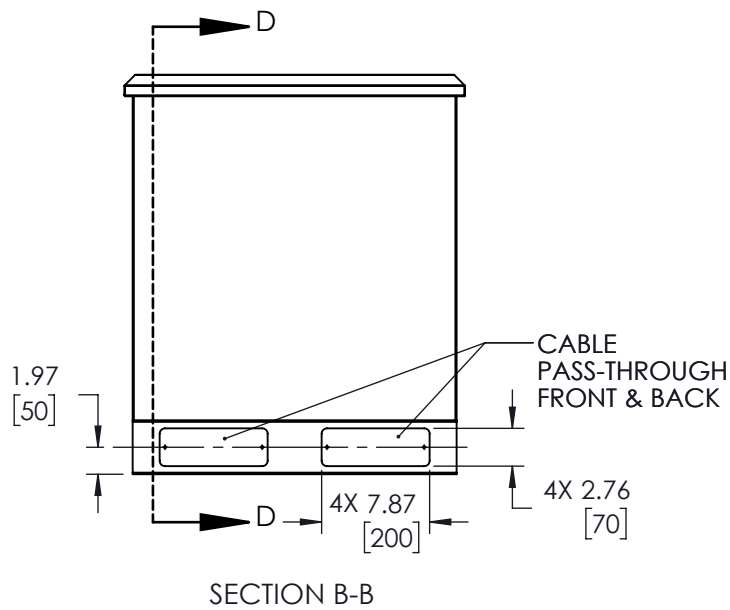


THE INFORMATION AND  
DESIGN IN THIS DOCUMENT  
IS THE PROPERTY OF  
SHOWMECABLES, INC  
ALL RIGHTS RESERVED.

SHEET 2 OF 3

SCALE N/A

SIZE A	CAGE CODE 3SVT8	DRAWN BY WZHANG	ITEM NO. SMC-NEIA-FL-6612	REV A
-----------	--------------------	--------------------	------------------------------	----------



THESE COMMODITIES, TECHNOLOGY OR SOFTWARE WERE EXPORTED FROM THE UNITED STATES IN ACCORDANCE WITH THE EXPORT ADMINISTRATION REGULATIONS. DIVERSION CONTRARY TO U.S. LAW PROHIBITED.

UNLESS OTHERWISE SPECIFIED  
LEADING DIMENSIONS ARE INCHES  
DIMENSIONS IN [ ] ARE MILLIMETERS

TOLERANCES:  
X = ± .2 [ .508]      FRACTIONS ± 1/32  
.XX = ± .02 [ .51]      ANGLES ± 1°  
XXX = ± .005 [ .13]

CABLE LENGTH (L) TOLERANCES:  
L ≤ 12 [305] = +1 [25] / -0  
12 [305] < L ≤ 60 [1524] = +2 [51] / -0  
60 [1524] < L ≤ 120 [3048] = +4 [102] / -0  
120 [3048] < L ≤ 300 [7620] = +6 [152] / -0  
300 [7620] < L = +5%L / -0

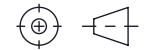
ALL DIMENSIONS SHOWN  
ARE FOR REFERENCE ONLY.

**Show Me**  
CABLES

an INFINIT<sup>®</sup> brand  
115 Chesterfield Industrial Blvd.,  
Chesterfield, MO 63005

Phone: 1.888.519.9505 | Fax: 1.888.519.9515  
Website: www.ShowMeCables.com  
E-mail: CustomerService@ShowMeCables.com

THIRD-ANGLE PROJECTION



THE INFORMATION AND  
DESIGN IN THIS DOCUMENT  
IS THE PROPERTY OF  
SHOWMECABLES, INC  
ALL RIGHTS RESERVED.

SHEET 3 OF 3

SCALE N/A

SIZE A	CAGE CODE 3SVT8	DRAWN BY WZHANG	ITEM NO. SMC-NEIA-FL-6612	REV A
-----------	--------------------	--------------------	------------------------------	----------