

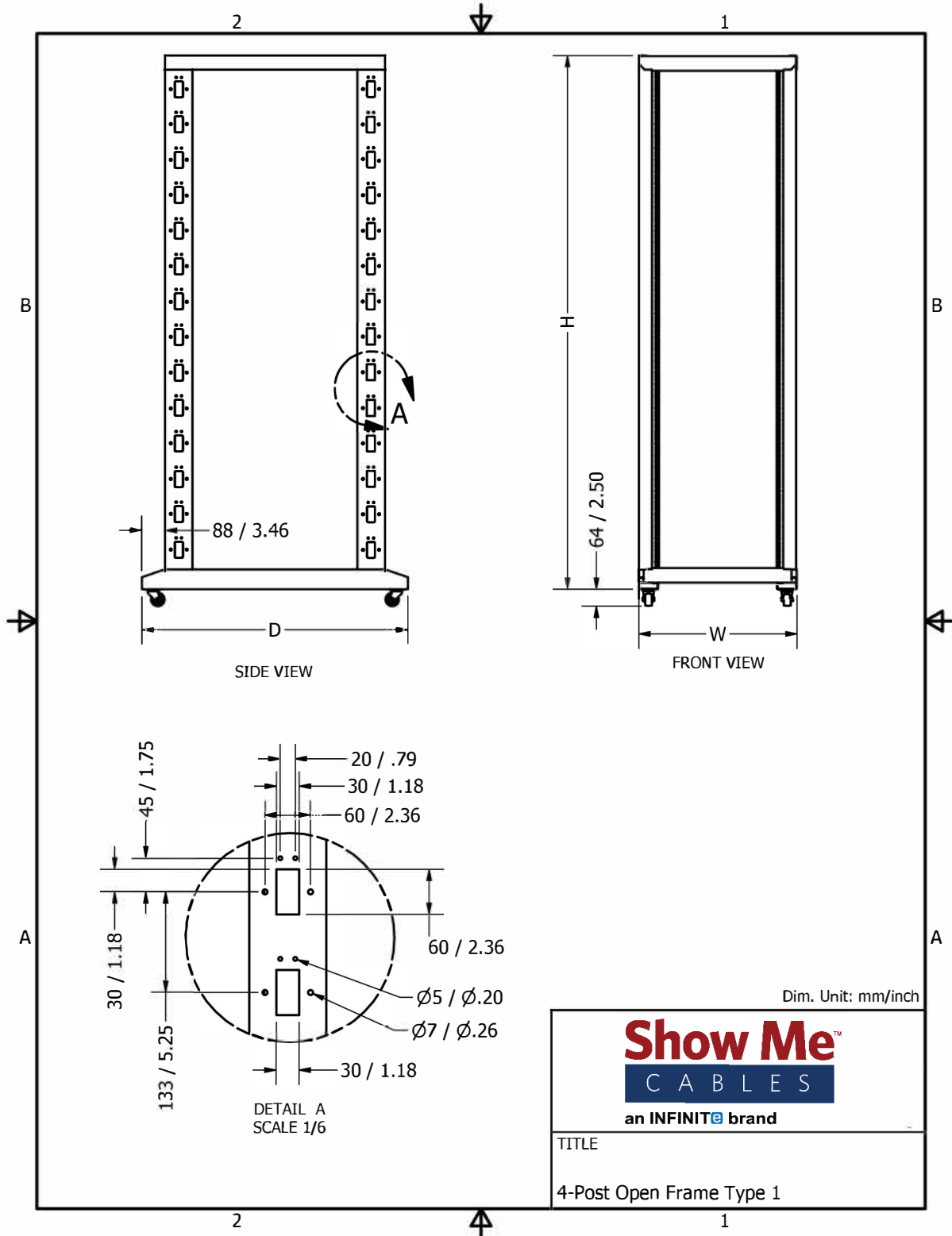


The **SMC Adjustable 4-post Network Racks** have an open frame that's designed for flexibility, allowing you to make the server rack choices that are right for your network build. Made from high quality materials, this product is made to industry specifications, ensuring compatibility with your equipment.

Model / SKU Number	SM4POST12U-M6	SM4POST18U-M6	SM4POST12U-12-24	SM4POST18U-12-24	SM4POST25U-12-24	SM4POST45U-12-24	
PHYSICAL							
Rack Capacity (n Rack Units) Rack Depth (in) • adjustable in 1.5" increments	12U 22-40	18U 22-40	12U 22-40	18U 22-40	25U 22-40	45U 22-40	
Unit Dimensions (in)	H	26.7	37.21	29.7	40.2	84.53	
	W	20.67	20.67	20.5	20.5	20.67	
	D	22.5-40.7	22.5-40.7	22.4-38.4	22.4-38.4	22.5-40.7	22.5-40.7
Weight Capacity (kg/ lbs)	600 1322	600 1322	600 1322	600 1322	600 1322	600 1322	
Material	Cold Rolled Steel						
Painting/ Coating	Black Powder Coating						
Construction	Bolted Assembly						
Rack Hole Type	Square Holes		12-24 Threaded				
ADDITIONAL FEATURES							
Casters Floor Mount	Includes Casters (Can also Floor Mount)		Includes Casters (Can also Floor Mount)		Floor Mount (Compatible with Casters)		
Cable Management	Includes Cable Hooks		Includes Cable Hooks				
Equipment Mounting Hardware	(20 Sets) M6 Cage Nuts, Screws, Plastic Washers		(20) 12-24 Screws				
Assembly	Assembly Required						
COMPLIANCE AND CERTIFICATIONS							
EIA/ECA 310-E	✓						
ROHS	✓						
CE	✓						
DIN 41494	✓						
IEC-60297-3-100	✓						
SHIPPING							
Shipping Dimensions (in)	L	28.15	42.1	28.3	42.35	50.5	85
	W	9.1	6.9	9.25	7.5	6	6
	H	5.7	5.5	6.3		6	6
Shipping Weight (lbs)	39.7	44	42.8	45.55	47.15	60.45	

4-Post Racks

Available for Same-Day Shipping!



4-Post Racks

Available for Same-Day Shipping!

