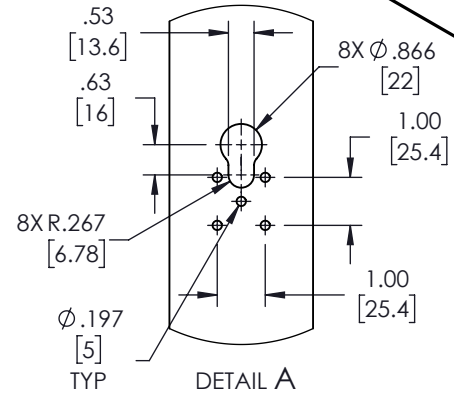
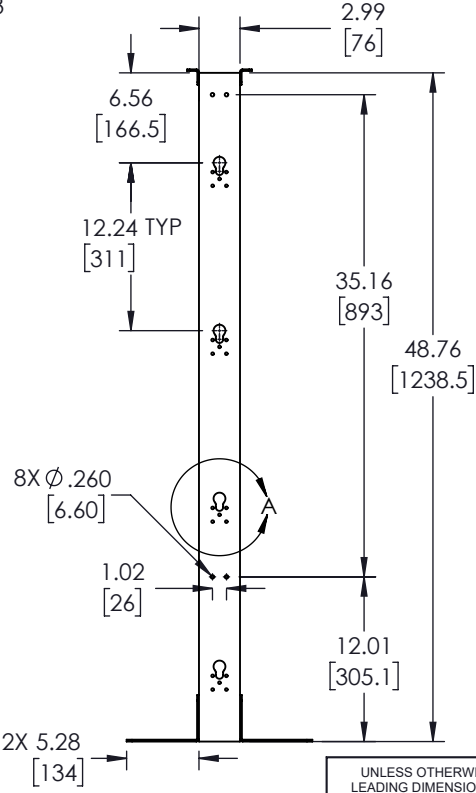
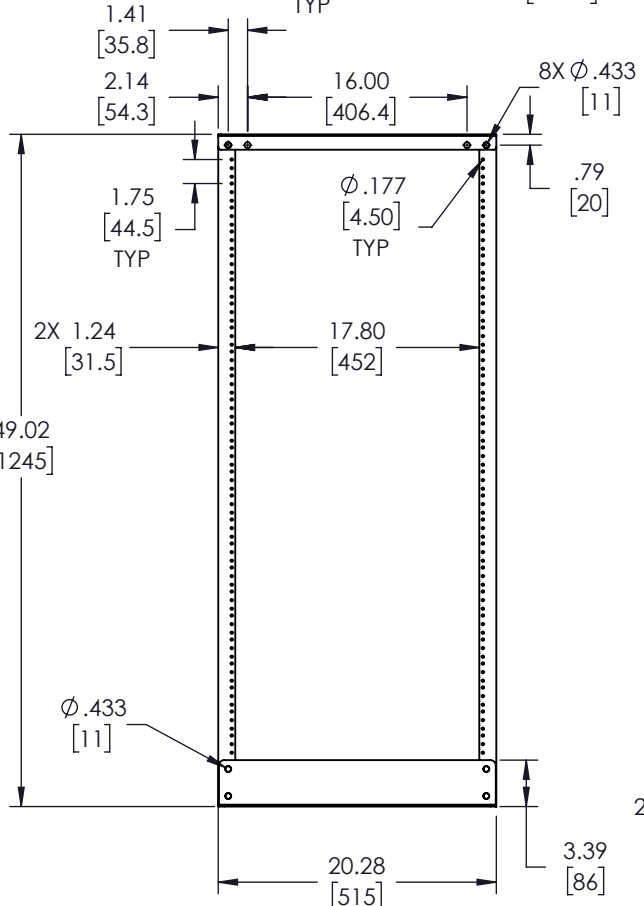
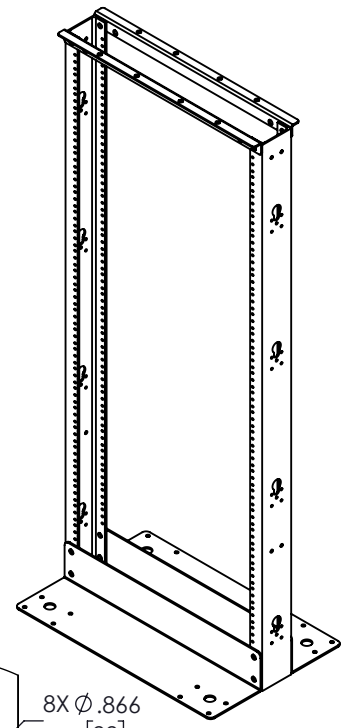


REVISIONS			
REV.	DESCRIPTION	DATE	APPROVED
A	INITIAL RELEASE	05/24/2022	WDIBELLA



THESE COMMODITIES, TECHNOLOGY OR SOFTWARE WERE EXPORTED FROM THE UNITED STATES IN ACCORDANCE WITH THE EXPORT ADMINISTRATION REGULATIONS. DIVERSION CONTRARY TO U.S. LAW PROHIBITED.

UNLESS OTHERWISE SPECIFIED LEADING DIMENSIONS ARE INCHES DIMENSIONS IN [] ARE MILLIMETERS

TOLERANCES:
 X = ± .02 [.508] | FRACTIONS ± 1/32
 .XX = ± .02 [.51] | ± 1/32
 .XXX = ± .005 [.13] | ANGLES ± 1°

CABLE LENGTH (L) TOLERANCES:
 L ≤ 12 [305] = +1 [25] / -0
 12 [305] < L ≤ 60 [1524] = +2 [51] / -0
 60 [1524] < L ≤ 120 [3048] = +4 [102] / -0
 120 [3048] < L ≤ 300 [7620] = +6 [152] / -0
 300 [7620] < L = +5%L / -0

ALL DIMENSIONS SHOWN ARE FOR REFERENCE ONLY.

Show Me
CABLES

an INFINIT® brand
 115 Chesterfield Industrial Blvd.,
 Chesterfield, MO 63005
 Phone: 1.888.519.9505 | Fax: 1.888.519.9515
 Website: www.ShowMeCables.com
 E-mail: CustomerService@ShowMeCables.com

SIZE: A | CAGE CODE: 3SVT8 | DRAWN BY: WZHANG | ITEM NO.: SMC-2POST-SLIM-25U-AL(12-24) | REV: A

THIRD-ANGLE PROJECTION

THE INFORMATION AND DESIGN IN THIS DOCUMENT IS THE PROPERTY OF SHOWMECABLES, INC. ALL RIGHTS RESERVED.

SHEET 1 OF 1

SCALE: N/A