

6

5

4

3

2

1

F

E

D

C

B

A

F

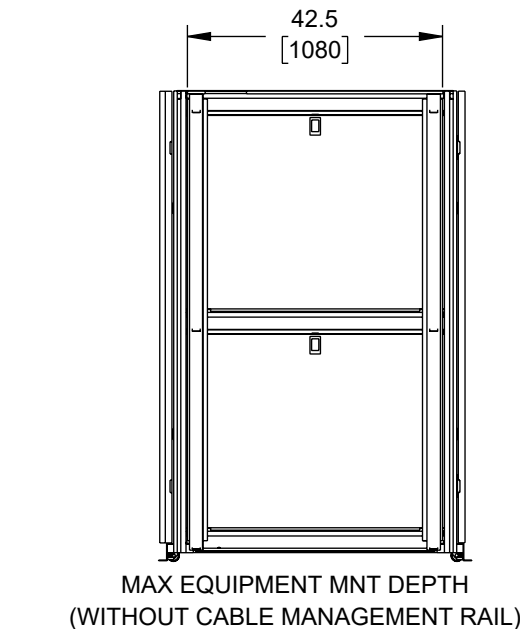
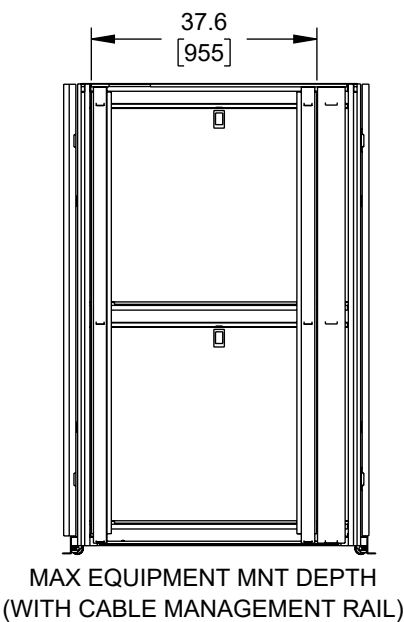
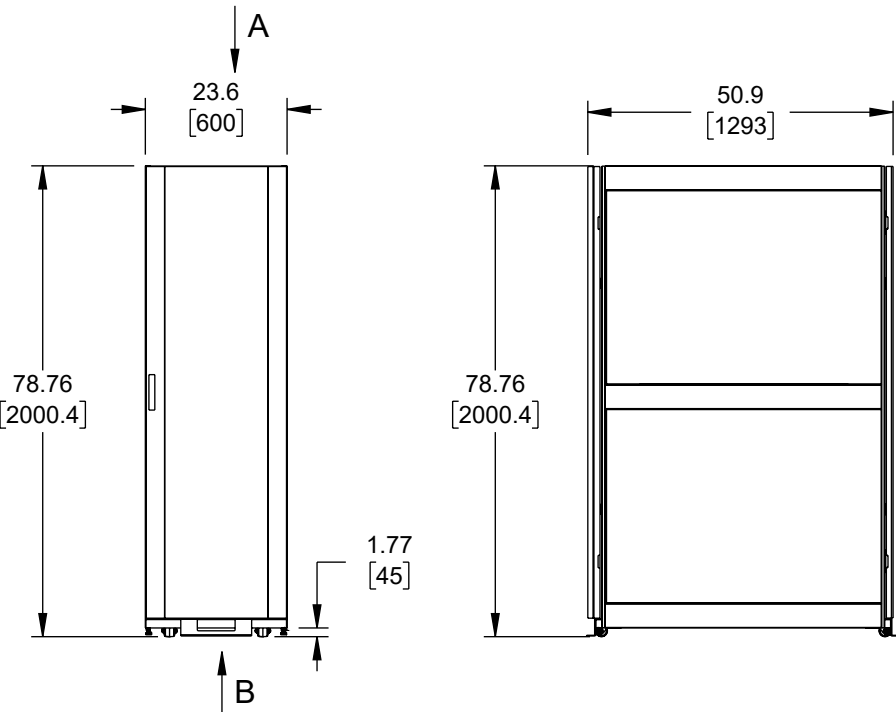
E

D

C

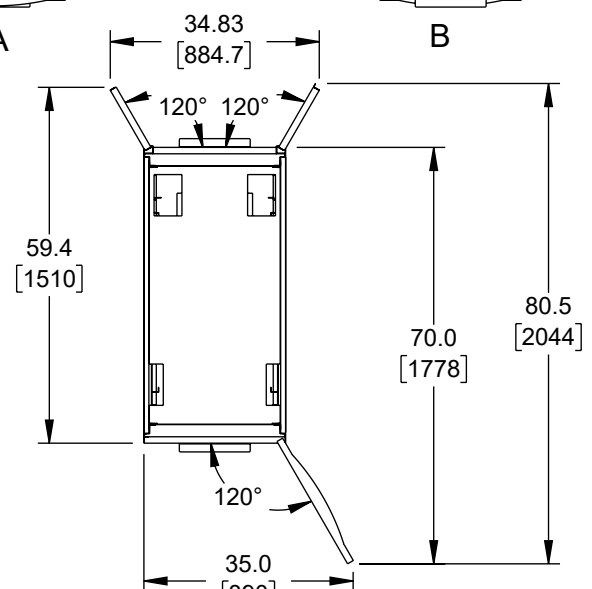
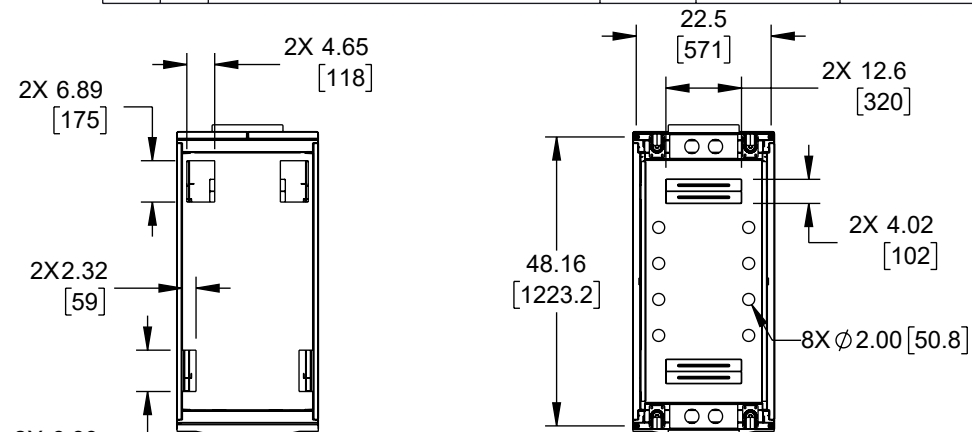
B

A



THE INFORMATION CONTAINED IN THIS DRAWING IS THE SOLE PROPERTY OF INFINITE ELECTRONICS, INC. ANY REPRODUCTION IN PART OR WHOLE WITHOUT THE WRITTEN PERMISSION OF INFINITE ELECTRONICS, INC. IS PROHIBITED. THESE COMMODITIES, TECHNOLOGY OR SOFTWARE WERE EXPORTED FROM THE UNITED STATES IN ACCORDANCE WITH THE EXPORT ADMINISTRATION REGULATIONS. DIVERSION CONTRARY TO U.S. LAW PROHIBITED.

REVISION					
ZONE	REV	DESCRIPTION	DATE	CHANGED BY	APPROVED
	A	INITIAL RELEASE	01/22/2024	KGLEBOVA	THOUGHTON



**TOP VIEW
DOORS FULLY OPENED**

<p>UNLESS OTHERWISE SPECIFIED LEADING DIMENSIONS ARE INCHES DIMENSIONS IN [] ARE MILLIMETERS</p> <p>TOLERANCES:</p> <table border="0"> <tr> <td>X = ±.2 [5]</td> <td>FRACTIONS ± 1/32</td> </tr> <tr> <td>.XX = ±.02 [0.5]</td> <td>ANGLES ± 1°</td> </tr> <tr> <td>.XXX = ±.005 [0.13]</td> <td></td> </tr> </table> <p>CABLE LENGTH TOLERANCES:</p> <table border="0"> <tr> <td>≤12 [305]</td> <td>= +1 [25] / -0</td> </tr> <tr> <td>>12 [305] ≤ 60 [1524]</td> <td>= +2 [51] / -0</td> </tr> <tr> <td>>60 [1524] ≤ 120 [3048]</td> <td>= +4 [102] / -0</td> </tr> <tr> <td>>120 [3048] ≤ 300 [7620]</td> <td>= +6 [152] / -0</td> </tr> <tr> <td>>300 [7620]</td> <td>= +5% / -0</td> </tr> </table> <p>ALL DIMENSIONS ARE FOR REFERENCE ONLY AND SUBJECT TO CHANGE WITHOUT NOTICE. UN-DIMENSIONED/NON-CRITICAL FEATURES MAY VARY IN SIZE AND LOCATION. COLORS MAY VARY.</p>	X = ±.2 [5]	FRACTIONS ± 1/32	.XX = ±.02 [0.5]	ANGLES ± 1°	.XXX = ±.005 [0.13]		≤12 [305]	= +1 [25] / -0	>12 [305] ≤ 60 [1524]	= +2 [51] / -0	>60 [1524] ≤ 120 [3048]	= +4 [102] / -0	>120 [3048] ≤ 300 [7620]	= +6 [152] / -0	>300 [7620]	= +5% / -0	<p>Show Me CABLES an INFINIT® brand</p> <p>Website: www.ShowMeCables.com Phone: 1.888.519.9505</p>		<p>INTERPRET ALL DIMENSIONS AND TOLERANCES PER ASME Y14.5</p> <table border="1"> <tr> <td>SCALE</td> <td>SHEET</td> </tr> <tr> <td>NONE</td> <td>1 OF 1</td> </tr> </table>		SCALE	SHEET	NONE	1 OF 1
	X = ±.2 [5]	FRACTIONS ± 1/32																						
.XX = ±.02 [0.5]	ANGLES ± 1°																							
.XXX = ±.005 [0.13]																								
≤12 [305]	= +1 [25] / -0																							
>12 [305] ≤ 60 [1524]	= +2 [51] / -0																							
>60 [1524] ≤ 120 [3048]	= +4 [102] / -0																							
>120 [3048] ≤ 300 [7620]	= +6 [152] / -0																							
>300 [7620]	= +5% / -0																							
SCALE	SHEET																							
NONE	1 OF 1																							
<p>DESCRIPTION</p> <p>42U SERVER RACK CABINET, 1200MM DEPTH, PERF. FRONT DOOR AND REAR FRENCH DOORS, CABLE MGT. TOP</p>																								
SIZE	CAGE CODE	DRAWN BY	ITEM NO.	REV																				
A	3SVT8	KGLEBOVA	SM42USRC1200PDFRCM	A																				

6

5

4

3

2

1