

6

5

4

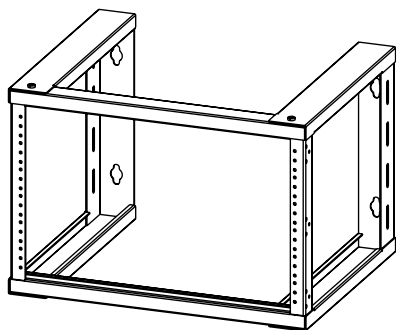
3

2

1

## REVISION

ZONE	REV	DESCRIPTION	DATE	CHANGED BY	APPROVED
	A	INITIAL RELEASE	11/30/2023	DZINN	THOUGHTON



F

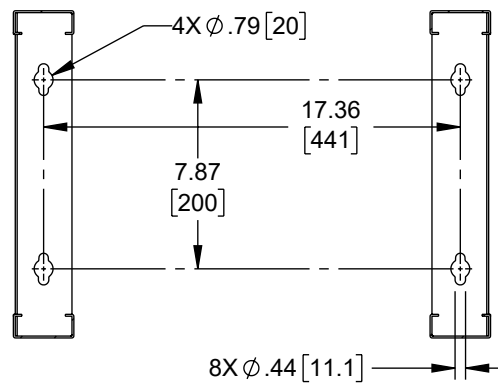
E

D

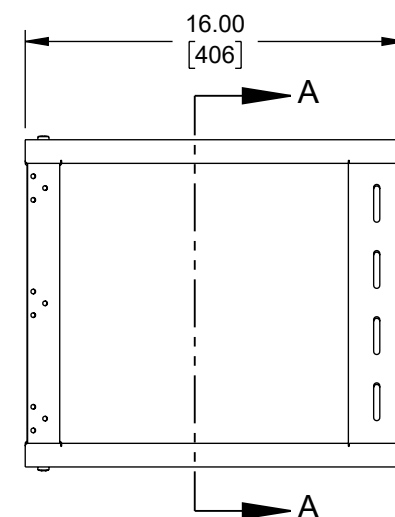
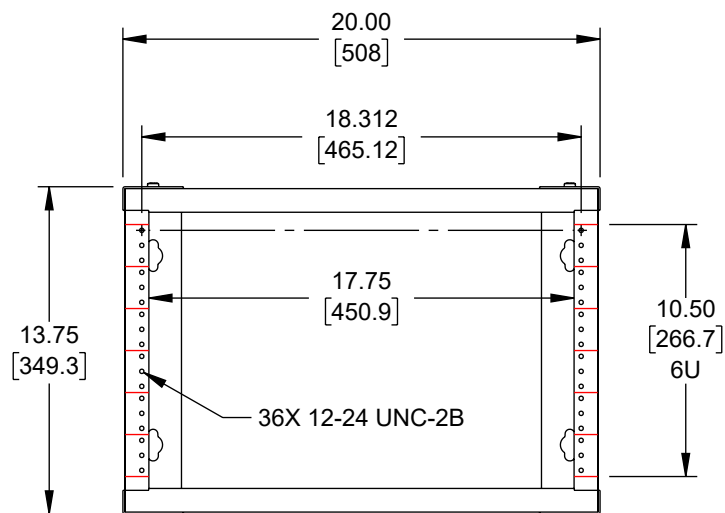
C

B

A



SECTION A-A



F

E

D

C

B

A

THE INFORMATION CONTAINED IN THIS DRAWING IS THE SOLE PROPERTY OF INFINITE ELECTRONICS, INC. ANY REPRODUCTION IN PART OR WHOLE WITHOUT THE WRITTEN PERMISSION OF INFINITE ELECTRONICS, INC. IS PROHIBITED. THESE COMMODITIES, TECHNOLOGY OR SOFTWARE WERE EXPORTED FROM THE UNITED STATES IN ACCORDANCE WITH THE EXPORT ADMINISTRATION REGULATIONS. DIVERSION CONTRARY TO U.S. LAW PROHIBITED.

SMC LG Rev-D4 Asize

6

5

4

3

2

1

UNLESS OTHERWISE SPECIFIED  
 LEADING DIMENSIONS ARE INCHES  
 DIMENSIONS IN [ ] ARE MILLIMETERS

TOLERANCES:  
 .X =  $\pm$ .2 [5]      FRACTIONS  
 .XX =  $\pm$ .02 [0.5]       $\pm$  1/32  
 .XXX =  $\pm$ .005 [0.13]      ANGLES  $\pm$  1°

CABLE LENGTH TOLERANCES:  
 $\leq$ 12 [305] = +1 [25] / -0  
 $>$ 12 [305]  $\leq$  60 [1524] = +2 [51] / -0  
 $>$ 60 [1524]  $\leq$  120 [3048] = +4 [102] / -0  
 $>$ 120 [3048]  $\leq$  300 [7620] = +6 [152] / -0  
 $>$ 300 [7620] = +5% / -0

ALL DIMENSIONS ARE FOR REFERENCE ONLY  
 AND SUBJECT TO CHANGE WITHOUT NOTICE.  
 UN-DIMENSIONED/NON-CRITICAL FEATURES  
 MAY VARY IN SIZE AND LOCATION  
 COLORS MAY VARY

**Show Me**  
**CABLES**

an INFINIT<sup>®</sup> brand

Website: [www.ShowMeCables.com](http://www.ShowMeCables.com)  
 Phone: 1.888.519.9505



INTERPRET ALL DIMENSIONS AND  
 TOLERANCES PER ASME Y14.5

SCALE	SHEET
NONE	1 OF 1

DESCRIPTION  
 6U WALL MOUNT RACK, 2 POST OPEN FRAME, 15" RACK  
 DEPTH, BLACK

SIZE	CAGE CODE	DRAWN BY	ITEM NO.	REV
A	3SVT8	DZINN	SM-6UWMMR15IN(12-24)	A