

6

5

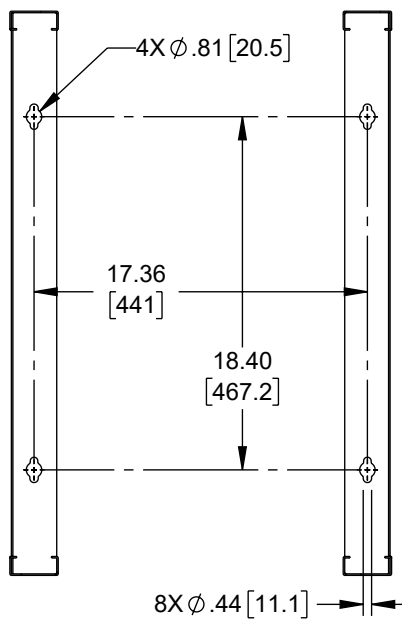
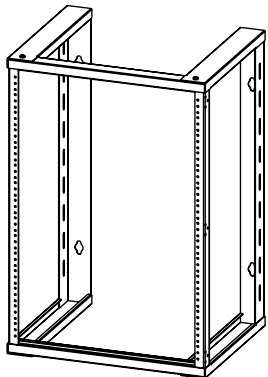
4

3

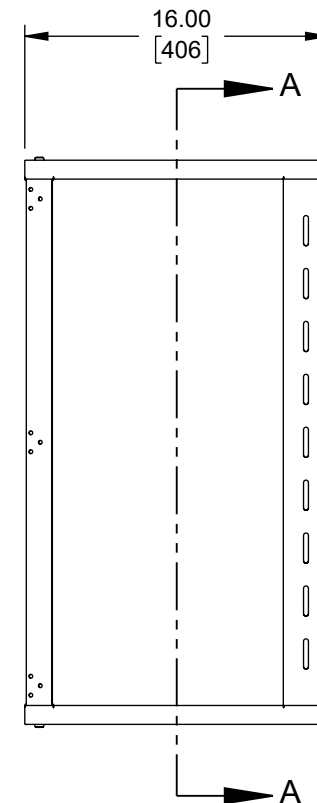
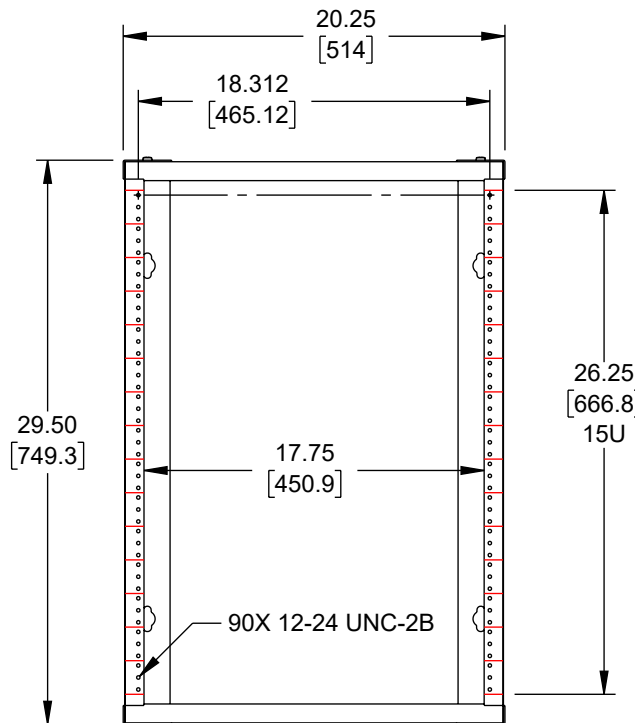
2

1

| REVISION |     |                 |            |            |           |
|----------|-----|-----------------|------------|------------|-----------|
| ZONE     | REV | DESCRIPTION     | DATE       | CHANGED BY | APPROVED  |
|          | A   | INITIAL RELEASE | 12/04/2023 | DZINN      | THOUGHTON |



SECTION A-A



THE INFORMATION CONTAINED IN THIS DRAWING IS THE SOLE PROPERTY OF INFINITE ELECTRONICS, INC. ANY REPRODUCTION IN PART OR WHOLE WITHOUT THE WRITTEN PERMISSION OF INFINITE ELECTRONICS, INC. IS PROHIBITED. THESE COMMODITIES, TECHNOLOGY OR SOFTWARE WERE EXPORTED FROM THE UNITED STATES IN ACCORDANCE WITH THE EXPORT ADMINISTRATION REGULATIONS. DIVERSION CONTRARY TO U.S. LAW PROHIBITED.

UNLESS OTHERWISE SPECIFIED  
LEADING DIMENSIONS ARE INCHES  
DIMENSIONS IN [ ] ARE MILLIMETERS

TOLERANCES:  
 .X = ±.2 [5]      FRACTIONS  
 .XX = ±.02 [0.5]      ± 1/32  
 .XXX = ±.005 [0.13]      ANGLES ± 1°

CABLE LENGTH TOLERANCES:  
 ≤12 [305] = +1 [25] / -0  
 >12 [305] ≤ 60 [1524] = +2 [51] / -0  
 >60 [1524] ≤ 120 [3048] = +4 [102] / -0  
 >120 [3048] ≤ 300 [7620] = +6 [152] / -0  
 >300 [7620] = +5% / -0

ALL DIMENSIONS ARE FOR REFERENCE ONLY  
AND SUBJECT TO CHANGE WITHOUT NOTICE.  
UN-DIMENSIONED/NON-CRITICAL FEATURES  
MAY VARY IN SIZE AND LOCATION  
COLORS MAY VARY

**Show Me**  
CABLES

an INFINIT® brand

Website: [www.ShowMeCables.com](http://www.ShowMeCables.com)  
Phone: 1.888.519.9505



INTERPRET ALL DIMENSIONS AND TOLERANCES PER ASME Y14.5

|       |        |
|-------|--------|
| SCALE | SHEET  |
| NONE  | 1 OF 1 |

DESCRIPTION  
 15U WALL MOUNT RACK, 2 POST OPEN FRAME,  
 15" DEEP, BLACK

| SIZE | CAGE CODE | DRAWN BY | ITEM NO.             | REV |
|------|-----------|----------|----------------------|-----|
| A    | 3SVT8     | DZINN    | SM-15UWMR15IN(12-24) | A   |

6

5

4

3

2

1