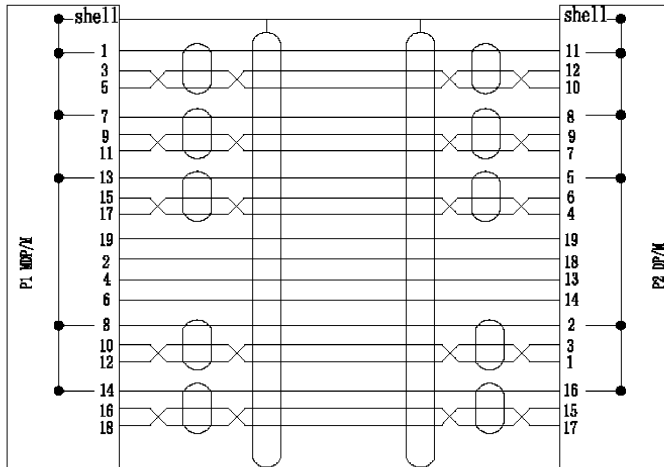
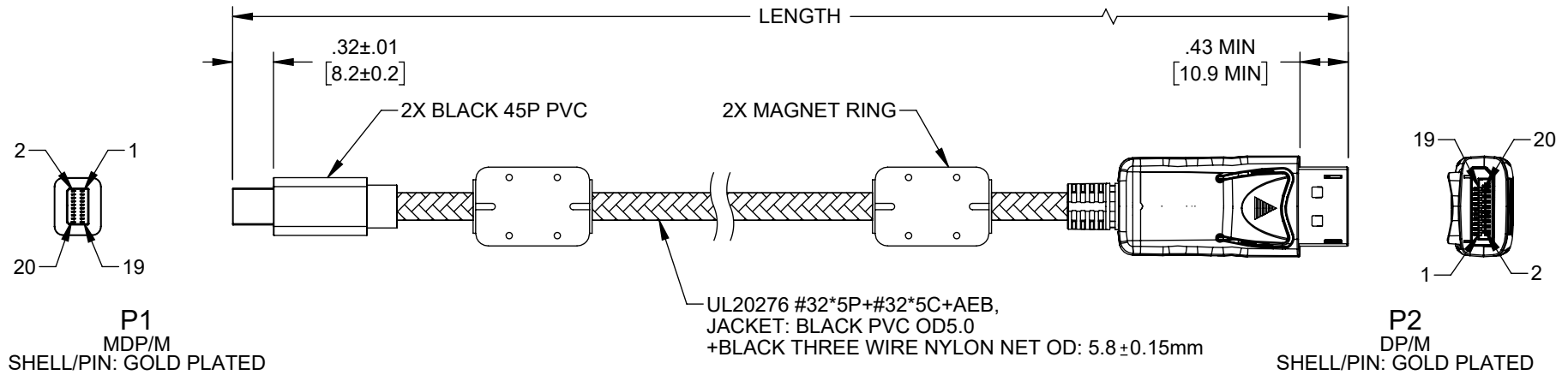


THE INFORMATION CONTAINED IN THIS DRAWING IS THE SOLE PROPERTY OF SHOW ME CABLES, INC. ANY REPRODUCTION IN PART OR WHOLE WITHOUT THE WRITTEN PERMISSION OF SHOW ME CABLES, INC. IS PROHIBITED.


REVISIONS			
REV	DESCRIPTION	DATE	APPROVED
A	INITIAL RELEASE	8/30/2022	DGUITADAURO



PART NUMBER	LENGTH	
	FEET	METERS
SDP20MDP-MM-05M	1.64	0.5 ± .02
SDP20MDP-MM-1M	3.28	1.0 ± .03
SDP20MDP-MM-2M	6.56	2.0 ± .03
SDP20MDP-MM-3M	9.84	3.0 ± .03

- NOTES:
- CABLE ASSEMBLY SHALL BE TESTED FOR CONTINUITY.
  - CABLE ASSEMBLY SHALL BE INDIVIDUALLY PACKAGED IN ACCORDANCE WITH L-COM SPECIFICATION PS-0031.

**REGULATORY COMPLIANCE:**  
EU RoHS DIRECTIVE (MOST RECENT RELEASED VERSION)

UNLESS OTHERWISE SPECIFIED, DIMENSIONS ARE IN INCHES [mm]	APPROVALS	DATE	 115 Chesterfield Industrial Blvd., Chesterfield, MO 63005 Phone: 1.888.519.9505 Fax: 1.888.519.9515			
	DRAWN BY DMAY	8/24/2022				
OVERALL CABLE LENGTH TOLERANCE: ≤12 [305] = +1 [25] / -0 >12 [305] ≤60 [1524] = +2 [51] / -0 >60 [1524] ≤120 [3048] = +4 [102] / -0 >120 [3048] ≤300 [7620] = +6 [152] / -0 >300 [7620] = +5% / -0	CHECKED BY HBAKKE	8/30/2022	CATEGORY			
ALL OTHER DIMENSIONAL TOLERANCES: .X = ± .2 [5]      FRACTIONS ± 1/32 .XX = ± .02 [5]      ANGLES ± 1° .XXX = ± .005 [13]	APPROVED BY DGUITADAURO	8/30/2022	PRODUCT DESCRIPTION	<b>DISPLAYPORT TO MINI DISPLAYPORT          MALE TO MALE W/FERRITES, 4K</b>		
THIRD-ANGLE PROJECTION	CONFIGURATION DETAILS OF UNDIMENSIONED FEATURES MAY VARY	COLOR VARIATIONS MAY OCCUR	SIZE <b>A</b>	CAGE CODE <b>3SVT8</b>	ITEM NO. SDP20MDP-MM	REV. <b>A</b>
SCALE: NONE		CAD FILE: SDP20MDP-MM.SLDDRW		SHEET 1 OF 1		