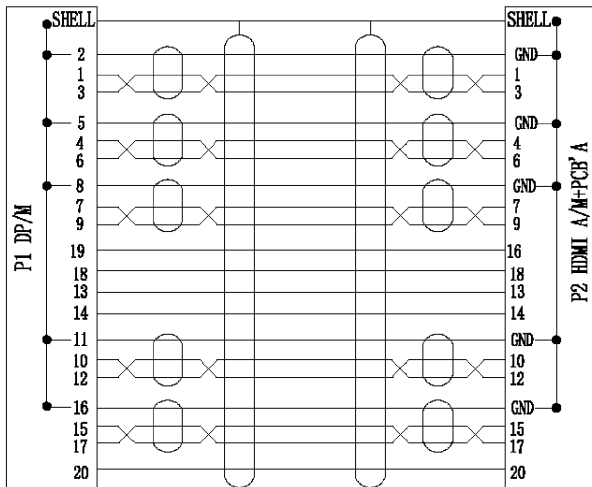
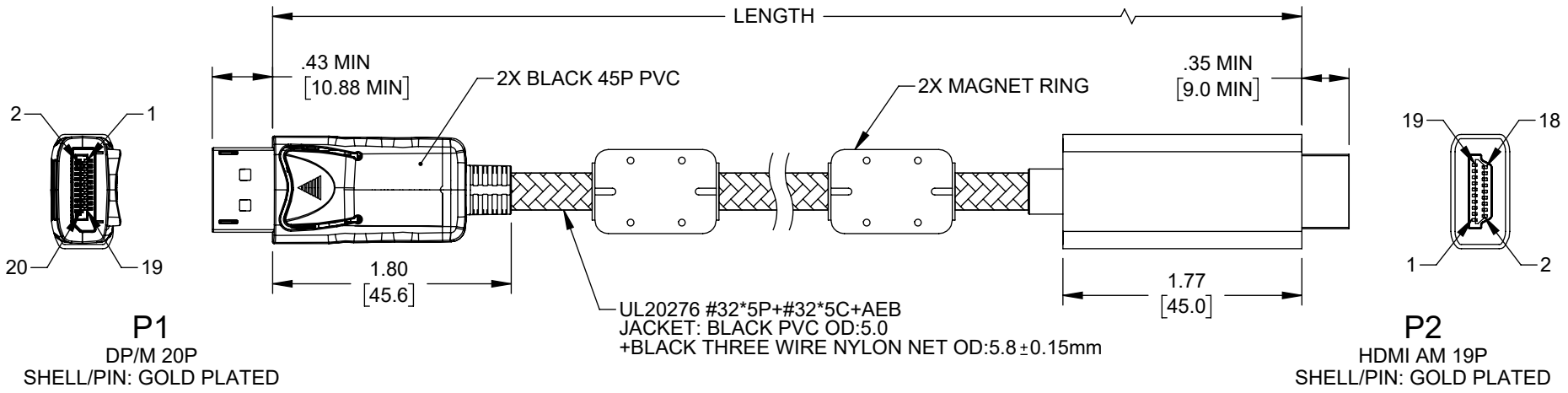


THE INFORMATION CONTAINED IN THIS DRAWING IS THE SOLE PROPERTY OF SHOW ME CABLES, INC. ANY REPRODUCTION IN PART OR WHOLE WITHOUT THE WRITTEN PERMISSION OF SHOW ME CABLES, INC. IS PROHIBITED.

REVISIONS			
REV	DESCRIPTION	DATE	APPROVED
A	INITIAL RELEASE	8/30/2022	DGUITADAURO



PART NUMBER	LENGTH	
	FEET	METERS
SDP20HDMI-MM-F-05M	1.64	0.5 ± .02
SDP20HDMI-MM-F-1M	3.28	1.0 ± .03
SDP20HDMI-MM-F-2M	6.56	2.0 ± .03
SDP20HDMI-MM-F-3M	9.84	3.0 ± .03

- NOTES:
- CABLE ASSEMBLY SHALL BE TESTED FOR CONTINUITY.
 - CABLE ASSEMBLY SHALL BE INDIVIDUALLY PACKAGED IN ACCORDANCE WITH L-COM SPECIFICATION PS-0031.

REGULATORY COMPLIANCE:
EU RoHS DIRECTIVE (MOST RECENT RELEASED VERSION)

UNLESS OTHERWISE SPECIFIED, DIMENSIONS ARE IN INCHES [mm]	APPROVALS	DATE	 115 Chesterfield Industrial Blvd., Chesterfield, MO 63005 Phone: 1.888.519.9505 Fax: 1.888.519.9515
	DRAWN BY DMAY	8/9/2022	
OVERALL CABLE LENGTH TOLERANCE: ≤12 [305] = +1 [25] / -0 >12 [305] ≤60 [1524] = +2 [51] / -0 >60 [1524] ≤120 [3048] = +4 [102] / -0 >120 [3048] ≤300 [7620] = +6 [152] / -0 >300 [7620] = +5% / -0	CHECKED BY HBAKKE	8/30/2022	CATEGORY AUDIO/VIDEO
ALL OTHER DIMENSIONAL TOLERANCES: .X = ± .2 [5] FRACTIONS ± 1/32 .XX = ± .02 [5] ANGLES ± 1° .XXX = ± .005 [1.3]	APPROVED BY DGUITADAURO	8/30/2022	
THIRD-ANGLE PROJECTION 	CONFIGURATION DETAILS OF UNDIMENSIONED FEATURES MAY VARY	COLOR VARIATIONS MAY OCCUR	PRODUCT DESCRIPTION DP TO HDMI 2.0 MALE TO MALE WITH FERRITES, 4K, PVC NYLON BRAIDED CABLE
			SIZE A
			CAGE CODE 3SVT8
			ITEM NO. SDP20HDMI-MM-F
			REV. A
			SCALE: NONE
			CAD FILE: SDP20HDMI-MM-F.SLDRW
			SHEET 1 OF 1