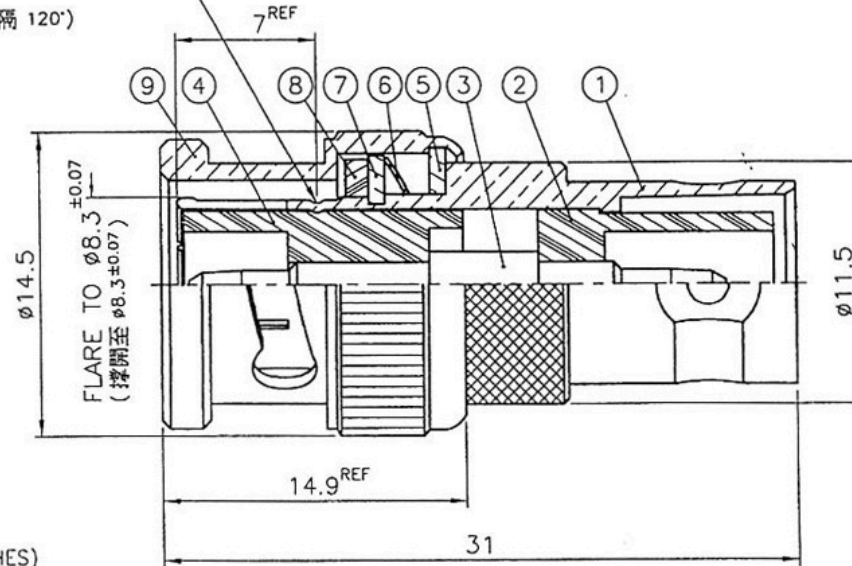


# Show Me

## CABLES

REVISIONS				
ZONE	REV	DESCRIPTION	DATE	APPROVED

STAKE IN 3 PLACES  
EQUALLY SPACED 120°  
APART  
(打三點, 間隔 120°)



NOTES: FINISH (PLATING THICKNESS IN MICRO-INCHES)  
 1. BRASS PER QQ-B-626  
 2. NICKEL PL 70 MIN THICK OVER COPPER STRIKE  
 3. GOLD PL 3 MIN OVER NICKEL PL 70 MIN THICK OVER COPPER STRIKE  
 4. TEFLON MIL-P-19468

NO.	DESCRIPTION	MATERIAL	FINISH	Q'TY
9	SHELL	NOTE 1	NOTE 2	1
8	GASKET	RUBBER	RED	1
7	C RING	SS41	NOTE 2	1
6	SPRING	SK5	NOTE 2	1
5	WASHER	SS41	NOTE 2	1
4	INSULATOR	NOTE 4	WHITE	1
3	CONTACT PIN	NOTE 1	NOTE 3	1
2	INSULATOR	NOTE 4	WHITE	1
1	BODY	NOTE 1	NOTE 2	1

BNC PLUG TO R/P JACK ADAPTOR

BY	DATE		
DRAWN			
CHK'D			
APPRV		PART NO	
MATERIAL	SEE NOTES		
FINISH	SEE NOTES	UNITS	mm
		SCALE	NONE
		SHEET 1 OF 1	