

6

5

4

3

2

1

NOTES:-

ELECTRICAL:

- 1. VOLTAGE RATING : 125 VAC RMS.
- 2. CURRENT RATING : 1.5 AMP.
- 3. CONTACT RESISTANCE : 100 MILLIOHMS MAX.
- 4. INSULATION RESISTANCE : 1000 MEGAOHMS MIN. @ 500 VDC.
- 5. DIELECTRIC STRENGTH : 750 VAC RMS 60 Hz , 1MIN.

ENVIRONMENTAL:

- 1. STORAGE : -40 ° TO + 85°
- 2. OPERATION : 0 ° TO + 70°

MECHANICAL:

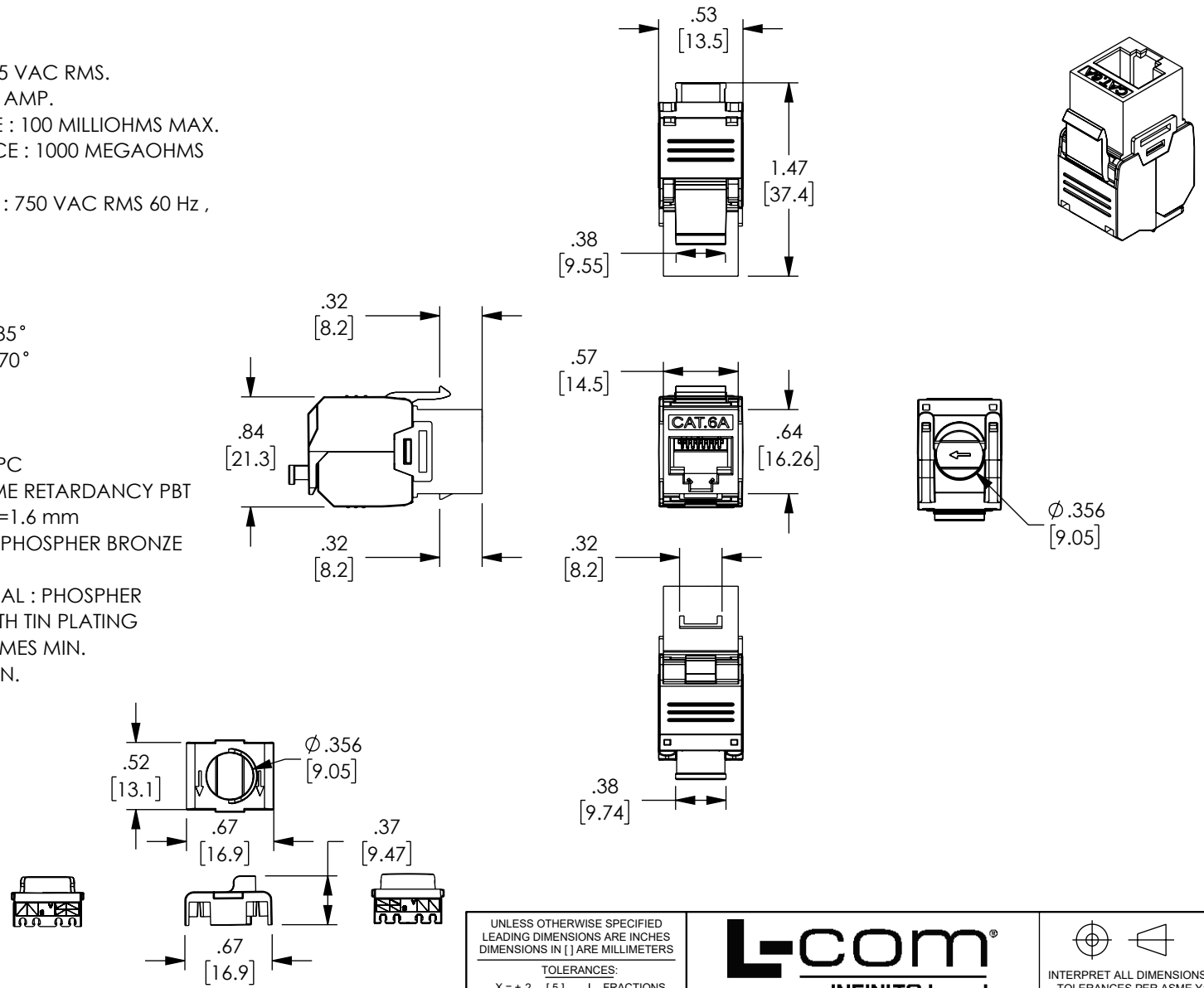
- 1. HOUSING MATERIAL : PC
- 2. INSERT MATERIAL : FAME RETARDANCY PBT
- 3. PCB MATERIAL : FR-4 T=1.6 mm
- 4. CONTACT MATERIAL : PHOSPHER BRONZE STAMP, PIN T=0.3 mm
- 5. IDC CONTACT MATERIAL : PHOSPHER BRONZE, T=0.5 mm WITH TIN PLATING
- 6. RJ45 JACK LIFE : 750 TIMES MIN.
- 7. IDC LIFE : 200 TIMES MIN.
- 8. WIRE : 28 AWG SOLID
- 9. 50 U" GOLD PLATED.

REGULATORY COMPLIANCE:

EU RoHS DIRECTIVE (MOST RECENT RELEASED VERSION)

THE INFORMATION CONTAINED IN THIS DRAWING IS THE SOLE PROPERTY OF INFINITE ELECTRONICS, INC. ANY REPRODUCTION IN PART OR WHOLE WITHOUT THE WRITTEN PERMISSION OF INFINITE ELECTRONICS, INC. IS PROHIBITED. THESE COMMODITIES, TECHNOLOGY OR SOFTWARE WERE EXPORTED FROM THE UNITED STATES IN ACCORDANCE WITH THE EXPORT ADMINISTRATION REGULATIONS. DIVERSION CONTRARY TO U.S. LAW PROHIBITED.

REVISION					
ZONE	REV.	DESCRIPTION	DATE	CHANGED BY	APPROVED BY
	A	INITIAL RELEASE	03/14/2023	PSRINIVAS	DGUTTADAURO



UNLESS OTHERWISE SPECIFIED LEADING DIMENSIONS ARE INCHES DIMENSIONS IN [ ] ARE MILLIMETERS

TOLERANCES:

.X = ±.2 [5]	FRACTIONS ± 1/32
.XX = ±.02 [.5]	ANGLES ± 1°
.XXX = ±.005 [.13]	

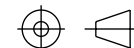
CABLE LENGTH TOLERANCES:

≤12 [305]	= +1 [25] / -0
>12 [305] ≤ 60 [1524]	= +2 [51] / -0
>60 [1524] ≤ 120 [3048]	= +4 [102] / -0
>120 [3048] ≤ 300 [7620]	= +6 [152] / -0
>300 [7620]	= +5% / -0

ALL DIMENSIONS ARE FOR REFERENCE ONLY AND SUBJECT TO CHANGE WITHOUT NOTICE.



an INFINITE® brand  
 Website: www.L-com.com  
 Phone: 1.800.341.5266 | 1.978.682.6936



INTERPRET ALL DIMENSIONS AND TOLERANCES PER ASME Y14.5

SCALE	SHEET
NONE	1 OF 1

DESCRIPTION  
 Category 6a 10gig Ethernet Tool-less Keystone Jack, TIA568A/B, for Slim 28AWG, White

SIZE	CAGE CODE	DRAWN BY	ITEM NO.	REV
A	43321	PSRINIVAS	RJTLC6A28	A

6

5

4

3

2

1