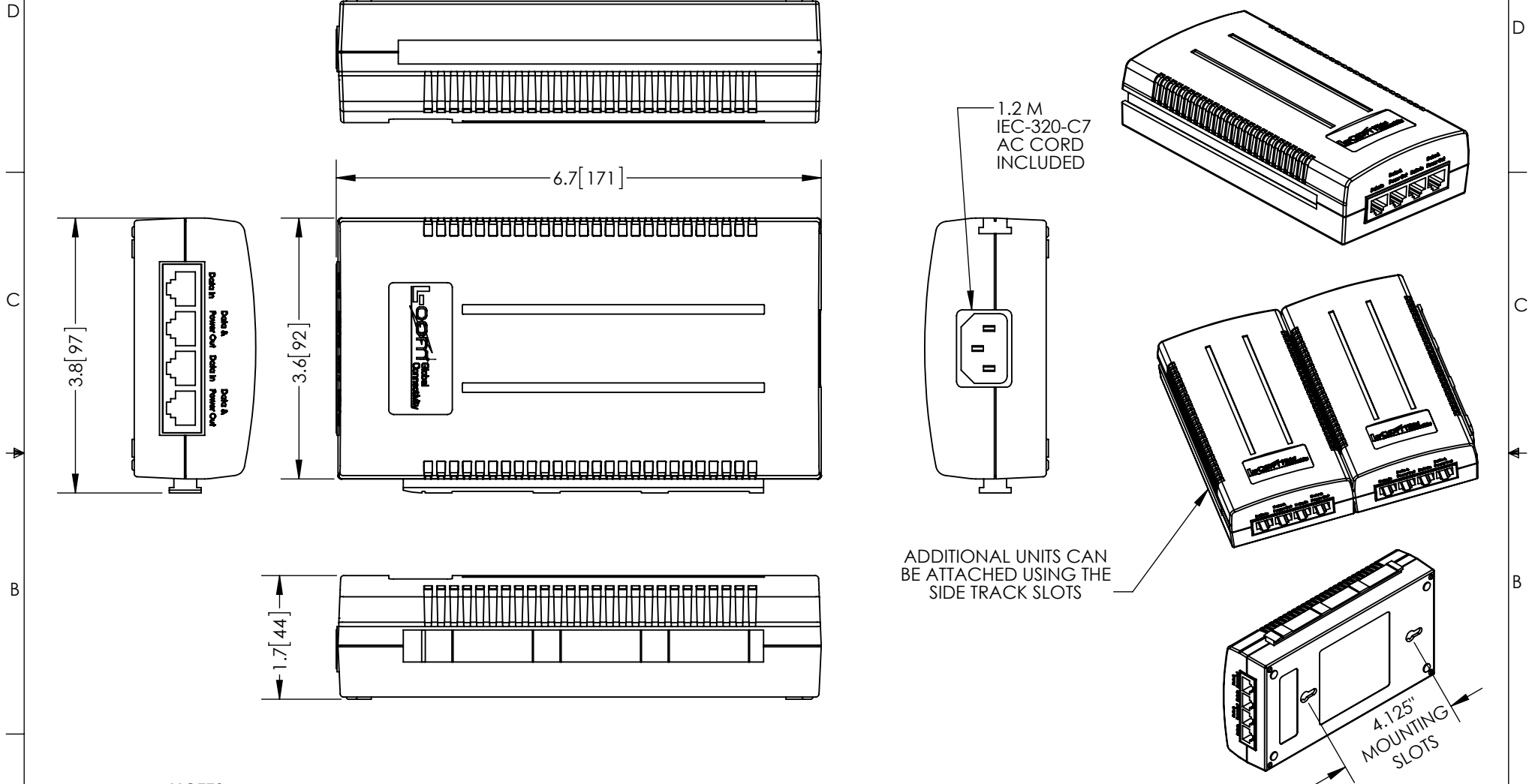


THE INFORMATION CONTAINED IN THIS DRAWING IS THE SOLE PROPERTY OF L-COM, INC. ANY REPRODUCTION IN PART OR WHOLE WITHOUT THE WRITTEN PERMISSION OF L-COM, INC. IS PROHIBITED.

REVISIONS			
REV	DESCRIPTION	DATE	APPROVED
A	INITIAL RELEASE	5/21/13	D.GRIFFIN



NOTES:

ALL PARTS SHALL BE PACKAGED AS PER L-COM SPEC PKG-00012

- ALL DIMENSIONS FOR REFERENCE ONLY -

REGULATORY COMPLIANCE:

RoHS, CE

UNLESS OTHERWISE SPECIFIED, DIMENSIONS ARE IN INCHES [mm]	APPROVALS	DATE		45 BEECHWOOD DRIVE NORTH ANDOVER, MA 01845
	DRAWN BY B.PUCHASKI	05/20/13		
DIMENSIONAL TOLERANCES: .X = ±.1 .XX = ±.01 .XXX = ±.005	CHECKED BY K.BURGNER	05/20/13	CATEGORY POE SUPPLY	
	APPROVED BY K.BURGNER	05/20/13	PRODUCT DESCRIPTION POE GIGABIT 2-PORT INJECTOR 48VDC @ 34W W/1.2M POWER CORD	
ANGULAR TOLERANCES: ALL = ± 1°	CONFIGURATION DETAILS OF UNDIMENSIONED FEATURES MAY VARY		SIZE A	FSCM NO. 43321
PROJECTION 	COLOR VARIATIONS MAY OCCUR		DWG. NO. PS4834GB-POE-2	REV. A
			SCALE: NONE	CAD FILE: PS4834GB-POE-2.SLDDRW
			SHEET 1 OF 1	