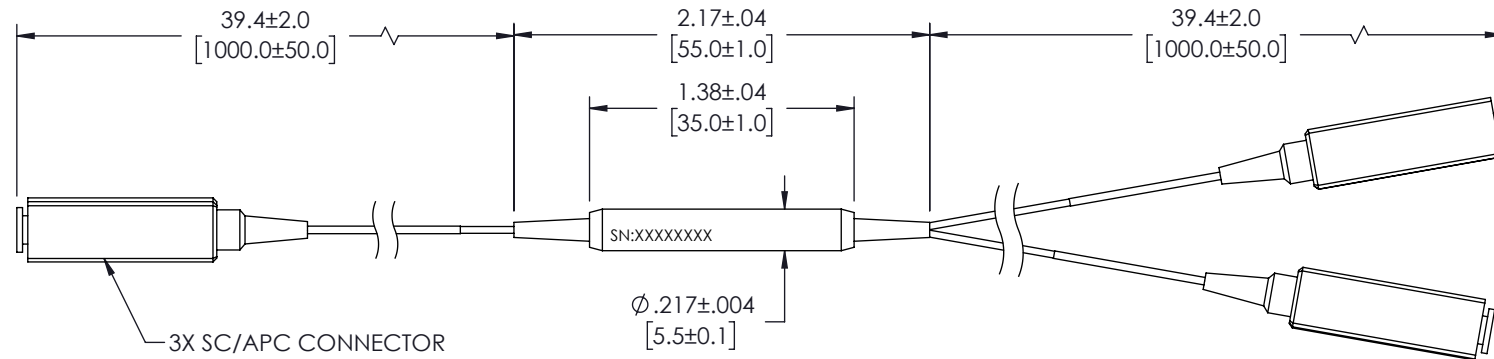


REVISIONS			
REV.	DESCRIPTION	DATE	APPROVED
A	INITIAL RELEASE	08/25/22	PHOSPODAR



PART NUMBER	FREQUENCY	CHANNEL
PPMDW-013-120-195	100 GHz	20
PPMDW-013-121-195		21
PPMDW-013-122-195		22
PPMDW-013-123-195		23
PPMDW-013-124-195		24
PPMDW-013-125-195		25
PPMDW-013-126-195		26
PPMDW-013-127-195		27
PPMDW-013-128-195		28
PPMDW-013-129-195		29
PPMDW-013-220-195	200 GHz	20
PPMDW-013-222-195		22
PPMDW-013-224-195		24
PPMDW-013-226-195		26
PPMDW-013-228-195		28

900um LOOSE TUBE COLOR	
COM PORT	BLACK
PASS PORT	WHITE
REFLECTION PORT	RED

THESE COMMODITIES, TECHNOLOGY OR SOFTWARE WERE EXPORTED FROM THE UNITED STATES IN ACCORDANCE WITH THE EXPORT ADMINISTRATION REGULATIONS. DIVERSION CONTRARY TO U.S. LAW PROHIBITED.

UNLESS OTHERWISE SPECIFIED LEADING DIMENSIONS ARE INCHES DIMENSIONS IN [] ARE MILLIMETERS

TOLERANCES:
 X = ± 2 [5.08] | FRACTIONS ± 1/32
 .XX = ± 0.02 [.51] | ± 1/32
 .XXX = ± 0.005 [.13] | ANGLES ± 1°

CABLE LENGTH (L) TOLERANCES:
 L ≤ 12 [305] = +1 [25] / -0
 12 [305] < L ≤ 60 [1524] = +2 [51] / -0
 60 [1524] < L ≤ 120 [3048] = +4 [102] / -0
 120 [3048] < L ≤ 300 [7620] = +6 [152] / -0
 300 [7620] < L = +5%L / -0

ALL DIMENSIONS SHOWN ARE FOR REFERENCE ONLY.



50 High Street, West Mill, 3rd Floor, Suite #30
 North Andover, MA 01845 USA.
 Phone: 1.800.341.5266 | 1.978.682.6936
 Fax: 1.978.689.9484
 Website: www.L-com.com
 E-mail: CustomerService@L-com.com

THIRD-ANGLE PROJECTION

THE INFORMATION AND DESIGN IN THIS DOCUMENT IS THE PROPERTY OF L-COM GLOBAL CONNECTIVITY. ALL RIGHTS RESERVED.

SHEET 1 OF 1

SCALE N/A

SIZE	CAGE CODE	DRAWN BY	ITEM NO.	REV
A	43321	HBAKKE	PPMDW-013-XXX-XXX	A