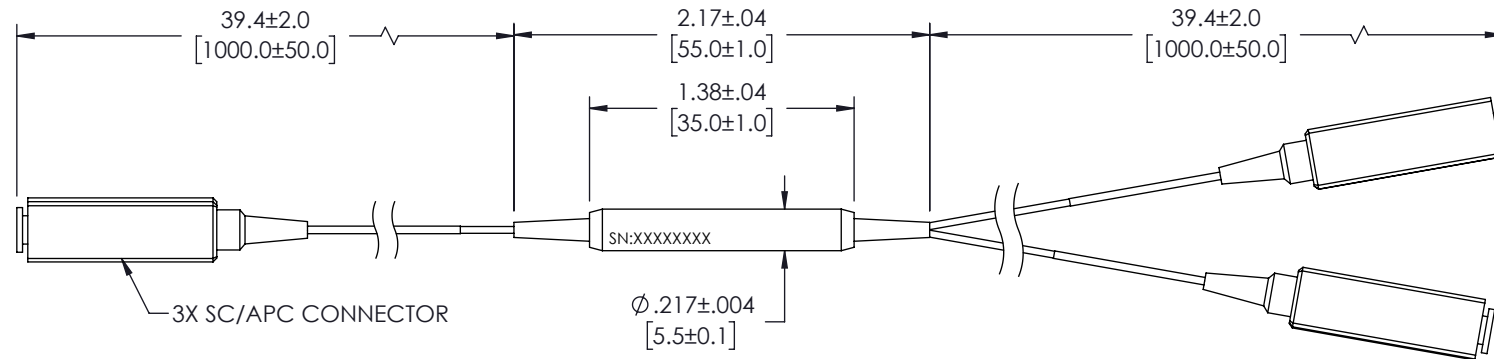


REVISIONS			
REV.	DESCRIPTION	DATE	APPROVED
A	INITIAL RELEASE	08/25/22	PHOSPODAR



PART NUMBER	CHANNEL WAVELENGTH
PPMCW-013-27-3-195	1271nm
PPMCW-013-29-3-195	1291nm
PPMCW-013-31-3-195	1311nm
PPMCW-013-33-3-195	1331nm
PPMCW-013-35-3-195	1351nm
PPMCW-013-37-3-195	1371nm
PPMCW-013-39-3-195	1391nm
PPMCW-013-41-3-195	1411nm
PPMCW-013-43-3-195	1431nm
PPMCW-013-45-3-195	1451nm
PPMCW-013-47-3-195	1471nm
PPMCW-013-49-3-195	1491nm
PPMCW-013-51-3-195	1511nm
PPMCW-013-53-3-195	1531nm
PPMCW-013-55-3-195	1551nm
PPMCW-013-57-3-195	1571nm
PPMCW-013-59-3-195	1591nm
PPMCW-013-61-3-195	1611nm

900um LOOSE TUBE COLOR	
COM PORT	BLACK
PASS PORT	WHITE
REFLECTION PORT	RED

UNLESS OTHERWISE SPECIFIED  
LEADING DIMENSIONS ARE INCHES  
DIMENSIONS IN [ ] ARE MILLIMETERS

**TOLERANCES:**  
 X = ±.2 [ .508]      FRACTIONS ± 1/32  
 .XX = ±.02 [ .51]      ± 1/32  
 .XXX = ±.005 [ .13]      ANGLES ± 1°

**CABLE LENGTH (L) TOLERANCES:**  
 L ≤ 12 [305] = +1 [25] / -0  
 12 [305] < L ≤ 60 [1524] = +2 [51] / -0  
 60 [1524] < L ≤ 120 [3048] = +4 [102] / -0  
 120 [3048] < L ≤ 300 [7620] = +6 [152] / -0  
 300 [7620] < L = +5%L / -0

ALL DIMENSIONS SHOWN  
ARE FOR REFERENCE ONLY.

**L-com™**  
an INFINIT® brand

50 High Street, West Mill, 3rd Floor, Suite #30  
North Andover, MA 01845 USA.  
Phone: 1.800.341.5266 | 1.978.682.6936  
Fax: 1.978.689.9484  
Website: www.L-com.com  
E-mail: CustomerService@L-com.com

THIRD-ANGLE PROJECTION

THE INFORMATION AND DESIGN IN THIS DOCUMENT IS THE PROPERTY OF L-COM GLOBAL CONNECTIVITY. ALL RIGHTS RESERVED.

SHEET 1 OF 1

SCALE N/A

SIZE	CAGE CODE	DRAWN BY	ITEM NO.	REV
A	43321	HBAKKE	PPMCW-013-XX-X-XXX	A

THESE COMMODITIES, TECHNOLOGY OR SOFTWARE WERE EXPORTED FROM THE UNITED STATES IN ACCORDANCE WITH THE EXPORT ADMINISTRATION REGULATIONS. DIVERSION CONTRARY TO U.S. LAW PROHIBITED.