



# 12G SDI 75 Ohm HD-BNC Female Right Angle Bulkhead Mount Connector Solder Attachment Thru Hole PCB

## RF Connectors Technical Data Sheet

**PE40014**

### Configuration

- HD-BNC Female Connector
- 75 Ohms
- Right Angle Body Geometry
- Connector Interface Types: Thru Hole
- Bulkhead

### Features

- Max. Operating Frequency 12 GHz
- Gold Plated Brass Contact
- 10 µin minimum contact plating
- Meets SMPTE ST 2082-1
- Backwards Compatible with 2081-1
- 12Gb/s Transmission
- Cost Effective
- 4x Panel Density of Standard BNC
- 20% Lighter than Standard BNC

### Applications

- General Purpose Test
- Rack and Panel Mount Applications
- PCB Applications
- 12G-SDI, Video, and Broadband UHDTV
- Broadband Internet Delivery
- Broadcast A/V
- 4K/8K Video Equipment
- Medical Equipment Requiring High Speed Video
- HD Cameras

### Description

Pasternack's PE40014 75 ohm HD-BNC female right angle bulkhead connector with solder attachment for Thru Hole PCB is part of our full line of RF components available for same-day shipping. Our HD-BNC female connector operates up to a maximum frequency of 12 GHz. Its right angle body geometry allows for easier connections in tight spaces. This HD-BNC bulkhead connector allows designers to create external connections on their product enclosures, and can be used in a variety of other rack mount and panel mount applications. Pasternack's 12G-SDI HD-BNC connector PE40014 utilizes 12Gb/s data transfer rates to enable high resolution uncompressed video signal transmission. These products offer 4K and Ultra-HD quality signals that meet SMPTE ST 2082-1. These 75 Ohm connectors are available in PCB edge-mount, straight, or right angle configurations, as well as coaxial connectors to be used in industry standard cable assemblies.

Our 75 ohm HD-BNC female right angle bulkhead connector PE40014 datasheet specifications and drawing with dimensions are shown below in this PDF. Pasternack's broad catalog of RF, microwave and millimeter wave connectors allows designers to configure and customize their signal connections however they like. Whether the need is to provide an I/O for a board design, or simply create a custom cable assembly configuration, Pasternack has the right connector for the job. Pasternack can also expertly build your custom cable assemblies for you and ship same-day.

### Electrical Specifications

Description	Minimum	Typical	Maximum	Units
Frequency Range	DC		12	GHz

Click the following link (or enter part number in "SEARCH" on website) to obtain additional part information including price, inventory and certifications: [12G SDI 75 Ohm HD-BNC Female Right Angle Bulkhead Mount Connector Solder Attachment Thru Hole PCB PE40014](#)



12G SDI 75 Ohm HD-BNC Female Right Angle Bulkhead  
Mount Connector Solder Attachment Thru Hole PCB

**RF Connectors**  
**Technical Data Sheet**

**PE40014**

**Mechanical Specifications**

**Size**

Length	0.8 in [20.32 mm]
Width/Dia.	0.295 in [7.49 mm]
Height	0.47 in [11.94 mm]
Weight	0.05 lbs [22.68 g]

**Material Specifications**

Description	Material	Plating
Contact	Brass	Gold 10 µin minimum
Insulation	PTFE	
Outer Conductor	Brass	Nickel 100 µin minimum
Body	Brass	Nickel 100 µin minimum

**Environmental Specifications**

**Compliance Certifications** (see [product page](#) for current document)

**Plotted and Other Data**

Notes:

Click the following link (or enter part number in "SEARCH" on website) to obtain additional part information including price, inventory and certifications: [12G SDI 75 Ohm HD-BNC Female Right Angle Bulkhead Mount Connector Solder Attachment Thru Hole PCB PE40014](#)



## 12G SDI 75 Ohm HD-BNC Female Right Angle Bulkhead Mount Connector Solder Attachment Thru Hole PCB

### RF Connectors Technical Data Sheet

**PE40014**

12G SDI 75 Ohm HD-BNC Female Right Angle Bulkhead Mount Connector Solder Attachment Thru Hole PCB from Pasternack Enterprises has same day shipment for domestic and International orders. Our RF, microwave and millimeter wave products maintain a 99.4% availability and are part of the broadest selection in the industry.

Click the following link (or enter part number in "SEARCH" on website) to obtain additional part information including price, inventory and certifications: [12G SDI 75 Ohm HD-BNC Female Right Angle Bulkhead Mount Connector Solder Attachment Thru Hole PCB PE40014](https://www.pasternack.com/hd-bnc-female-0.062-inch-pcb-connector-pe40014-p.aspx)

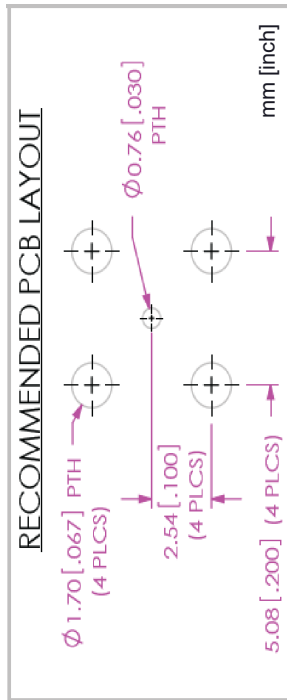
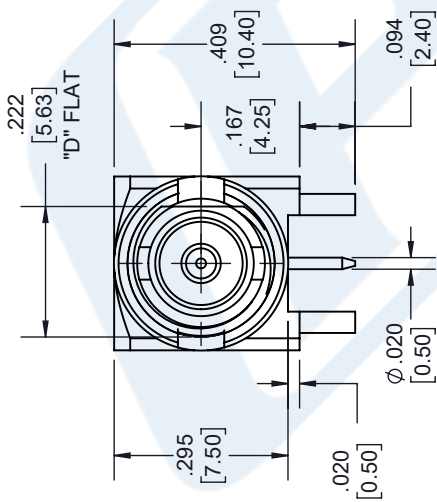
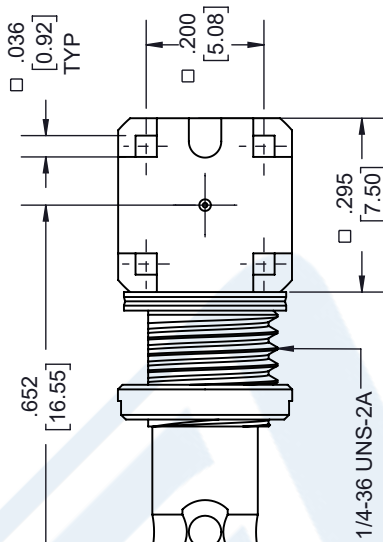
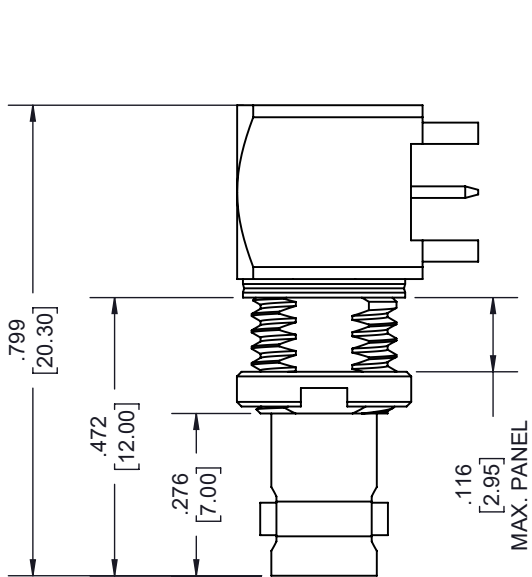
URL: <https://www.pasternack.com/hd-bnc-female-0.062-inch-pcb-connector-pe40014-p.aspx>

The information contained in this document is accurate to the best of our knowledge and representative of the part described herein. It may be necessary to make modifications to the part and/or the documentation of the part, in order to implement improvements. Pasternack reserves the right to make such changes as required. Unless otherwise stated, all specifications are nominal. Pasternack does not make any representation or warranty regarding the suitability of the part described herein for any particular purpose, and Pasternack does not assume any liability arising out of the use of any part or documentation.

# PE40014 CAD Drawing

12G SDI 75 Ohm HD-BNC Female Right Angle Bulkhead Mount Connector Solder Attachment Thru Hole PCB

REVISIONS			
REV.	DESCRIPTION	DATE	APPROVED
A	INITIAL RELEASE	12/10/2021	A. GANWANI



UNLESS OTHERWISE SPECIFIED LEADING DIMENSIONS ARE INCHES DIMENSIONS IN [ ] ARE MILLIMETERS

TOLERANCES:  
 .X = ± .2 [5.08] FRACTIONS ± 1/32  
 .XX = ± .02 [51] ANGLES ± 1°  
 .XXX = ± .005 [13] CABLE LENGTH (L), TOLERANCES:  
 L ≤ 12 [305] = +1 [25] / -0  
 12 [305] < L ≤ 60 [1524] = +2 [51] / -0  
 60 [1524] < L ≤ 120 [3048] = +4 [102] / -0  
 120 [3048] < L ≤ 300 [7620] = +6 [152] / -0  
 300 [7620] < L = +5% / -0

ALL DIMENSIONS SHOWN ARE FOR REFERENCE ONLY.

**PE PASTERNAK**  
 an INFINITE brand

Pasternack Enterprises, Inc.  
 P.O. Box 16759, Irvine, CA 92623.  
 Phone: 1.949.261.1920 | 1.866.727.8376  
 Fax: 1.949.261.7451  
 Website: www.pasternack.com  
 E-mail: sales@pasternack.com

THIRD-ANGLE PROJECTION

THE INFORMATION AND DESIGN IN THIS DOCUMENT IS THE PROPERTY OF PASTERNAK CORPORATION ALL RIGHTS RESERVED.

SHEET 1 OF 1

SCALE N/A

REV A

ITEM NO. PE40014

DRAWN BY K.DANG

SIZE A

53919

THESE COMMODITIES, TECHNOLOGY OR SOFTWARE WERE EXPORTED FROM THE UNITED STATES IN ACCORDANCE WITH THE EXPORT ADMINISTRATION REGULATIONS. DIVERSION CONTRARY TO U.S. LAW PROHIBITED.