



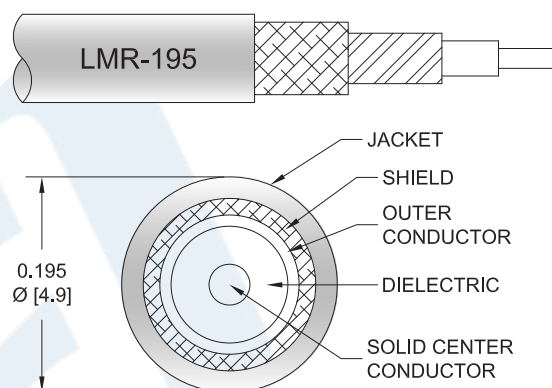
N Male to N Male Right Angle with Times Connectors Cable Using LMR-195 Coax

RF Cable Assemblies Technical Data Sheet

PE3C0120

**Configuration**

- Connector 1: N Male
- Connector 2: N Male Right Angle
- Cable Type: LMR-195



**Electrical Specifications**

Description	Minimum	Typical	Maximum	Units
Frequency Range	DC		5.8	GHz
VSWR			1.5:1	
Velocity of Propagation		80		%
RF Shielding	90			dB
Group Delay		1.27 [4.17]		ns/ft [ns/m]
Capacitance		25.4 [83.33]		pF/ft [pF/m]
Inductance		0.064 [0.21]		uH/ft [uH/m]
DC Resistance Inner Conductor		7.6 [24.93]		Ω/1000ft [Ω/Km]
DC Resistance Outer Conductor		4.9 [16.08]		Ω/1000ft [Ω/Km]
Jacket Spark			3,000	Vrms

**Specifications by Frequency**

Description	F1	F2	F3	F4	F5	Units
Frequency	0.25	0.5	1	2.5	5.8	GHz
Insertion Loss (Max.)	0.06 [0.20]	0.07 [0.23]	0.12 [0.39]	0.19 [0.62]	0.3 [0.98]	dB/ft [dB/m]

**Electrical Specification Notes:**

Insertion Loss does not include the loss of the connectors. Insertion Loss is estimated as .05dB x SQRT Frequency (GHz) per connector.

Click the following link (or enter part number in "SEARCH" on website) to obtain additional part information including price, inventory and certifications: [N Male to N Male Right Angle with Times Connectors Cable Using LMR-195 Coax PE3C0120](#)



## N Male to N Male Right Angle with Times Connectors Cable Using LMR-195 Coax

### RF Cable Assemblies Technical Data Sheet

PE3C0120

#### Mechanical Specifications

##### Cable Assembly

Diameter	0.8 in [20.32 mm]
Weight	0.201 lbs [91.17 g]

##### Cable

Cable Type	LMR-195
Impedance	50 Ohms
Inner Conductor Type	Solid
Inner Conductor Material and Plating	Copper
Dielectric Type	PE (F)
Number of Shields	2
Shield Layer 1	Aluminum Tape
Shield Layer 2	Tinned Copper Braid
Jacket Material	PE, Black
Jacket Diameter	0.195 in [4.95 mm]

One Time Minimum Bend Radius	0.5 in [12.7 mm]
Repeated Minimum Bend Radius	2 in [50.8 mm]
Bending Moment	0.2 lbs-ft [0.27 N-m]
Flat Plate Crush	15 lbs/in [0.27 Kg/mm]
Tensile Strength	40 lbs [18.14 Kg]

#### Connectors

Description	Connector 1	Connector 2
Type	N Male	N Male Right Angle
Impedance	50 Ohms	50 Ohms
Mating Cycles		500
Contact Material and Plating	Brass, Gold	Brass, Gold
Contact Plating Specification		50µ in. minimum
Dielectric Type	Teflon	Teflon
Coupling Nut Material and Plating	Brass, Silver	Brass, Tri-Metal
Coupling Nut Plating Specification		80µ in. minimum
Body Material and Plating	Brass, Silver	Brass, Tri-Metal
Body Plating Specification		80µ in. minimum

#### Compliance Certifications (visit [www.Pasternack.com](http://www.Pasternack.com) for current document)

For RoHS Compliant version, use PE3c0120LF. Contact Pasternack if product cannot be found.

Click the following link (or enter part number in "SEARCH" on website) to obtain additional part information including price, inventory and certifications: [N Male to N Male Right Angle with Times Connectors Cable Using LMR-195 Coax PE3C0120](#)



## N Male to N Male Right Angle with Times Connectors Cable Using LMR-195 Coax

### RF Cable Assemblies Technical Data Sheet

PE3C0120

#### Plotted and Other Data

Notes:

- Values at 25°C, sea level.

#### How to Order

Part Number Configuration:

PE3C0120 - xx uu

Unit of Measure:  
cm = Centimeters  
<blank> = Inches  
Length  
Base Number

Example: PE3C0120-12 = 12 inches long cable  
PE3C0120-100cm = 100 cm long cable

N Male to N Male Right Angle with Times Connectors Cable Using LMR-195 Coax from Pasternack Enterprises has same day shipment for domestic and International orders. Our RF, microwave and millimeter wave products maintain a 99% availability and are part of the broadest selection in the industry.

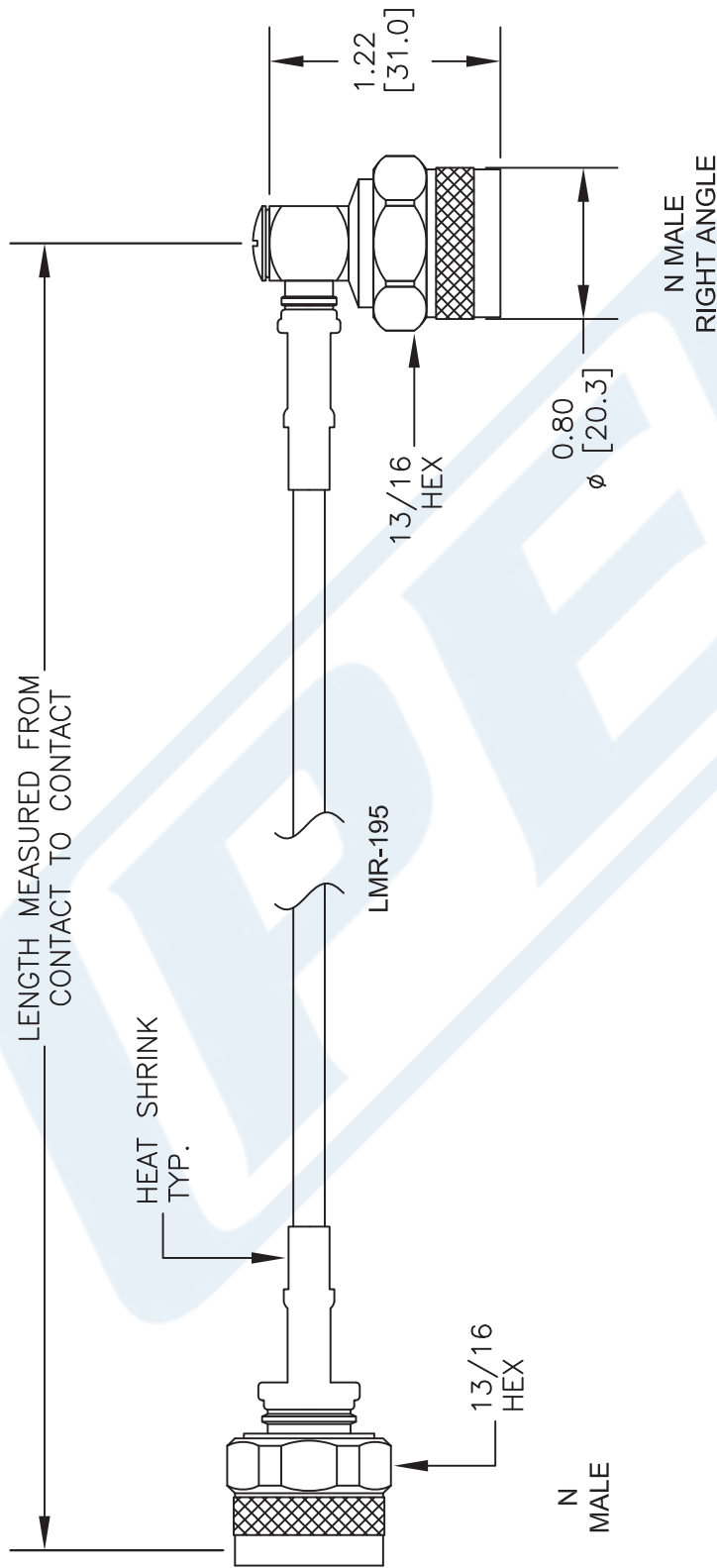
Click the following link (or enter part number in "SEARCH" on website) to obtain additional part information including price, inventory and certifications: [N Male to N Male Right Angle with Times Connectors Cable Using LMR-195 Coax PE3C0120](#)

URL: <http://www.pasternack.com/n-male-n-male-lmr195-cable-assembly-pe3c0120-p.aspx>

The information contained in this document is accurate to the best of our knowledge and representative of the part described herein. It may be necessary to make modifications to the part and/or the documentation of the part, in order to implement improvements. Pasternack reserves the right to make such changes as required. Unless otherwise stated, all specifications are nominal. Pasternack does not make any representation or warranty regarding the suitability of the part described herein for any particular purpose, and Pasternack does not assume any liability arising out of the use of any part or documentation.

# PE3C0120 CAD Drawing

N Male to N Male Right Angle with Times Connectors Cable Using LMR-195 Coax



- NOTES:
1. UNLESS OTHERWISE SPECIFIED ALL DIMENSIONS ARE NOMINAL.
  2. ALL SPECIFICATIONS ARE SUBJECT TO CHANGE WITHOUT NOTICE AT ANY TIME.
  3. DIMENSIONS ARE IN INCHES (mm).
  4. LENGTH TOLERANCE IS  $\pm 1.5\%$  OR  $3/8"$ , WHICHEVER IS GREATER.

DWG TITLE  
**PE3C0120**

FSCM NO. 53919

CAD FILE 050216

SCALE N/A

SIZE A

2233

**PE PASTERNAK**  
 THE ENGINEER'S RF SOURCE  
 Pasternack Enterprises, Inc.  
 P.O. Box 16759 | Irvine | CA | 92623  
 Phone: (949) 261-1920 | Fax: (949) 261-7451  
 Website: www.pasternack.com | E-Mail: sales@pasternack.com