



SMA Male Right Angle to TNC Female Bulkhead Cable Using LMR-195 Coax

TECHNICAL DATA SHEET

PE3C0056

SMA Male Right Angle to TNC Female Bulkhead Cable Using LMR-195 Coax

Configuration

Connector 1	SMA Male Right Angle
Connector 1 Specification	MIL-STD-348A
Connector 2	TNC Female Bulkhead
Connector 2 Specification	MIL-STD-348A
Cable Type	LMR-195

Electrical Specifications

Impedance, Ohms	50
-----------------	----

Mechanical Specifications

Cable Assembly

Cable Type	LMR-195
------------	---------

Temperature

Temperature Operating Range, deg C	-40 to +85
Temperature Storage Range, deg C	-70 to +85
Diameter, in [mm]	0.689 [17.5]
Weight, lbs [g]	0.076 [34.47]
Cable Color	Black
One Time Minimum Bend Radius, in [mm]	0.5 [12.7]
Repeated Minimum Bend Radius, in [mm]	2 [50.8]

Cable

No of Shields	2
Dielectric Type	PE (F)
Jacket Material	PE
Jacket Diameter, in [mm]	0.195 [4.95]

Connector 1

Type	SMA Male Right Angle
Configuration	Right Angle
Inner Conductor Material and Plating	Brass, Gold
Inner Conductor Plating Specification	50µ in. minimum
Coupling Nut Material and Plating	Brass, Nickel
Coupling Nut Plating Specification	100µ in. minimum
Hex Size, in.	5/16
Torque, in-lbs [Nm]	5 [0.57]
Body Material and Plating	Brass, Nickel
Body Plating Specification	100µ in. minimum
Dielectric Type	Teflon

Click the following link (or enter part number in "SEARCH" on website) to obtain additional part information including price, inventory and certifications: [SMA Male Right Angle to TNC Female Bulkhead Cable Using LMR-195 Coax PE3C0056](#)

The information contained in this document is accurate to the best of our knowledge and representative of the part described herein. It may be necessary to make modifications to the part and/or the documentation of the part, in order to implement improvements. Pasternack reserves the right to make such changes as required. Unless otherwise stated, all specifications are nominal.



SMA Male Right Angle to TNC Female
Bulkhead Cable Using LMR-195 Coax

TECHNICAL DATA SHEET

PE3C0056

Connector 2

Type	TNC Female Bulkhead
Configuration	Straight
Mount Method	Bulkhead
Inner Conductor Material and Plating	Brass, Gold
Inner Conductor Plating Specification	30 μ in. minimum
Body Material and Plating	Brass, Nickel
Body Plating Specification	100 μ in. minimum
Dielectric Type	Teflon

Compliance Certifications (visit www.Pasternack.com for current document)

Plotted and Other Data

Notes: Values at 25 °C, sea level

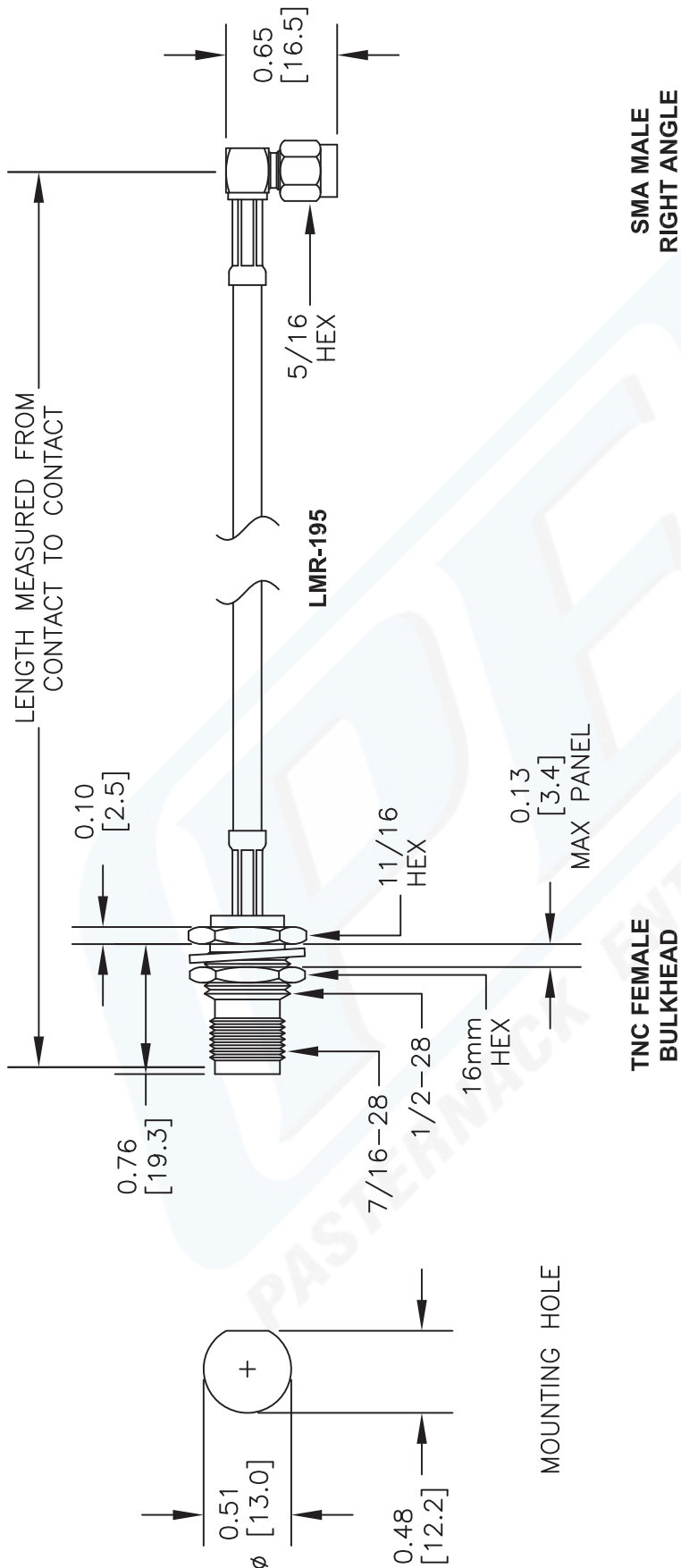
URL: <http://www.pasternack.com/sma-male-tnc-female-lmr195-cable-assembly-pe3c0056-p.aspx>

SMA Male Right Angle to TNC Female Bulkhead Cable Using LMR-195 Coax from Pasternack Enterprises has same day shipment for domestic and International orders. Our RF, microwave and fiber optic products maintain a 99% availability and are part of the broadest selection in the industry.

The information contained in this document is accurate to the best of our knowledge and representative of the part described herein. It may be necessary to make modifications to the part and/or the documentation of the part, in order to implement improvements. Pasternack reserves the right to make such changes as required. Unless otherwise stated, all specifications are nominal.

PE3C0056 CAD Drawing

SMA Male Right Angle to TNC Female Bulkhead Cable Using LMR-195 Coax



How To Order		Part # Ext.	Length In Inches	Part # Ext.	Length In Centimeters
Part Number Configuration PE3 [zzz] [yy] - [xx] [uu] 00 - 99999 LF = RoHS Compliant < Blank > = Standard Note: LF applies only to RF cables		-12	12"	-25CM	25Cm
Examples PE3000LF-100 PE3000-100 PE3000LF-100CM PE3000-100CM		-24	24"	-50CM	50Cm
CM = Centimeters < Blank > = Inches Length		-36	36"	-75CM	75Cm
		-48	48"	-100CM	100Cm
		-60	60"	-125CM	125Cm
		-xx	Custom Length	-xxCM	Custom Length

PE PASTERNAK®
 Pasternack Enterprises, Inc.
 P.O. Box 16759 | Irvine | CA | 92623
 Phone: (949) 261-1920 | Fax: (949) 261-7451
 Website: www.pasternack.com | E-Mail: sales@pasternack.com

DWG TITLE
PE3C0056

NOTES:
 1. UNLESS OTHERWISE SPECIFIED ALL DIMENSIONS ARE NOMINAL.
 2. ALL SPECIFICATIONS ARE SUBJECT TO CHANGE WITHOUT NOTICE AT ANY TIME.
 3. DIMENSIONS ARE IN INCHES [mm].
 4. LENGTH TOLERANCE IS ± 1.5% OR 3/8", WHICHEVER IS GREATER.

FSCM NO. 53919

CAD FILE 013113

SCALE N/A

SIZE A

2233