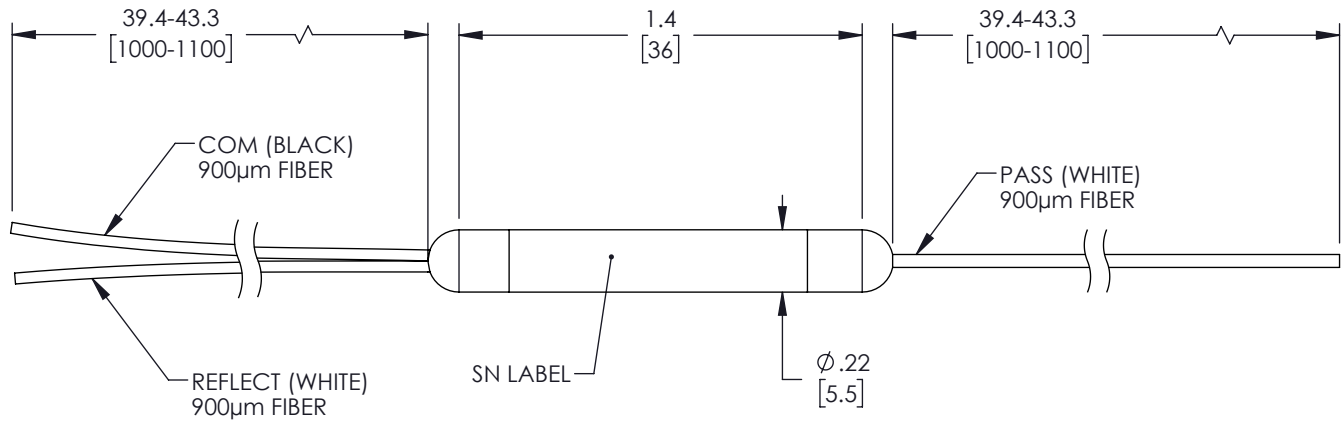


| REVISIONS |                 |            |           |
|-----------|-----------------|------------|-----------|
| REV.      | DESCRIPTION     | DATE       | APPROVED  |
| A         | INITIAL RELEASE | 05/05/2022 | PHOSPODAR |



THESE COMMODITIES, TECHNOLOGY OR SOFTWARE WERE EXPORTED FROM THE UNITED STATES IN ACCORDANCE WITH THE EXPORT ADMINISTRATION REGULATIONS. DIVERSION CONTRARY TO U.S. LAW PROHIBITED.

UNLESS OTHERWISE SPECIFIED  
LEADING DIMENSIONS ARE INCHES  
DIMENSIONS IN [ ] ARE MILLIMETERS

**TOLERANCES:**

|                    |             |
|--------------------|-------------|
| X = ± 2 [5.08]     | FRACTIONS   |
| .XX = ± 02 [.51]   | ± 1/32      |
| .XXX = ± 005 [.13] | ANGLES ± 1° |

**CABLE LENGTH (L) TOLERANCES:**

|                             |                 |
|-----------------------------|-----------------|
| L ≤ 12 [305]                | = +1 [25] / -0  |
| 12 [305] < L ≤ 60 [1524]    | = +2 [51] / -0  |
| 60 [1524] < L ≤ 120 [3048]  | = +4 [102] / -0 |
| 120 [3048] < L ≤ 300 [7620] | = +6 [152] / -0 |
| 300 [7620] < L              | = +5%L / -0     |

ALL DIMENSIONS SHOWN  
ARE FOR REFERENCE ONLY.



50 High Street, West Mill, 3rd Floor, Suite #30  
North Andover, MA 01845 USA.  
Phone: 1.800.341.5266 | 1.978.682.6936  
Fax: 1.978.689.9484  
Website: www.L-com.com  
E-mail: CustomerService@L-com.com

THIRD-ANGLE PROJECTION

THE INFORMATION AND  
DESIGN IN THIS DOCUMENT  
IS THE PROPERTY OF  
L-COM GLOBAL CONNECTIVITY.  
ALL RIGHTS RESERVED.

SHEET 1 OF 1

SCALE N/A

|      |           |          |                  |     |
|------|-----------|----------|------------------|-----|
| SIZE | CAGE CODE | DRAWN BY | ITEM NO.         | REV |
| A    | 43321     | KGLEBOVA | PDW5A-01133-19NN | A   |